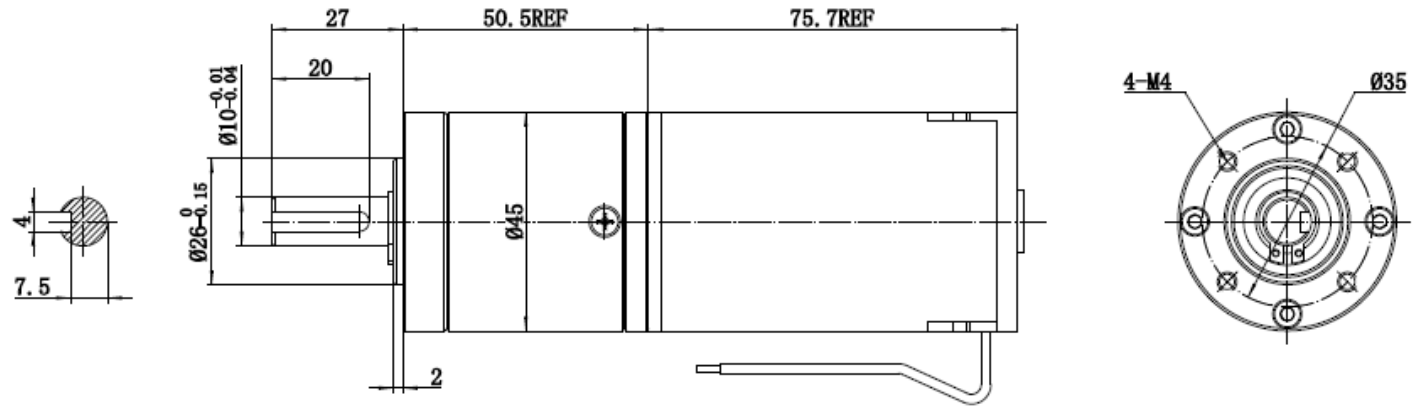


# 45PA27G/45ZYT75-1245



空载转速/No-load Speed		168RPM	额定转速/Rated Speed		123PRM	额定力矩/Rated Torque		17kg. cm
12V	4500RPM	400mA	3300RPM	3.6A	800g. cm	26.4W	26.8	
Relted Voltage	No-load Speed	No-load Current	Rated Speed	Rated Current	Reted Torque	Reated Power	Ratio	
额定电压	空载转速	空载电流	额定转速	额定电流	额定力矩	额定功率	减速比	