




SIGN	DATE	DESCRIPTION	APPROVER
<i>THIS IS CAD DRAWING, DO NOT REVISE MANUALLY!!!</i>			

Material

- Terminal body
(contact pin): Brass(CuZn) Tin plated
- Threaded insert: Brass M2.5
- Insulator (housing): Thermoplastic (UL94V-0)

Electrical cULus/VDE/TUV

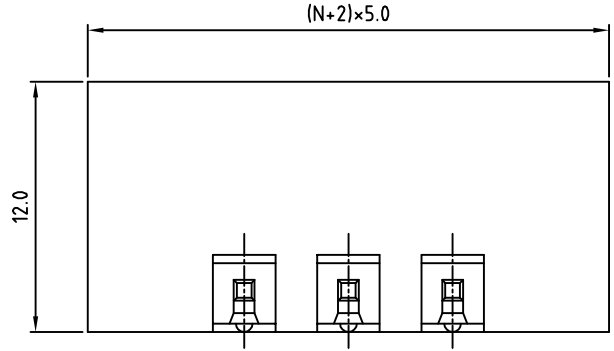
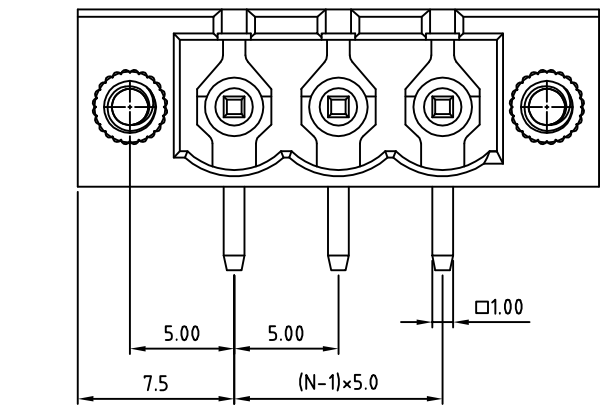
- Voltage rating: 300VAC/300VAC/300VAC
- Current rating: 20A/20A/20A
- Withstanding Voltage: 1.6KV/2.5KV/2.5KV
- Operating temperature: -30°C to +105°C
- Soldering temperature: 250°C±10°C/5 Sec
- Safety Approval:   

RoHS Compliant

PART NUMBER:

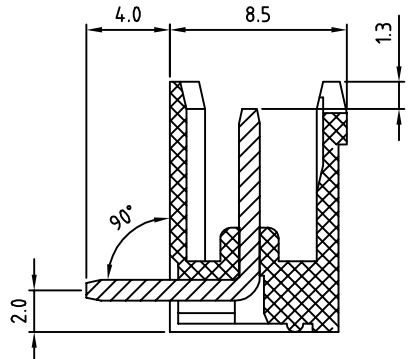
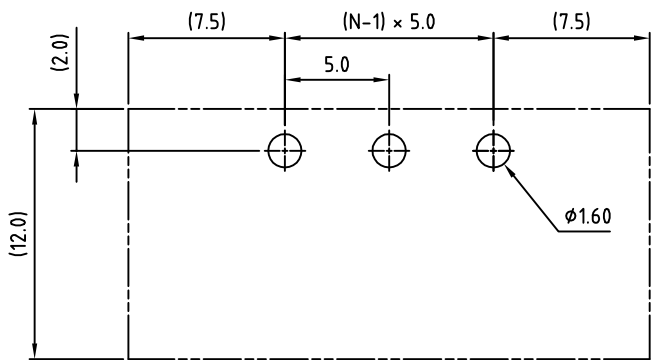
OSTOQXX7551

No. of Poles	—	COLOR
02: 2 Poles	—	0: Black
:	—	5: Green (Standard)
:	—	6: Blue
24: 24 Poles	—	8: Grey



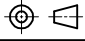
N = Number of contacts

P.C.B LAYOUT



THESE DRAWINGS AND SPECIFICATIONS ARE THE PROPERTY OF ON-SHORE TECHNOLOGY, INC. AND SHALL NOT BE REPRODUCED, COPIED OR USED IN ANY MANNER WITHOUT THE PRIOR WRITTEN CONSENT OF ON-SHORE TECHNOLOGY, INC.



TITLE		OSTOQ 5.0mm series with flange right-angle 2p-24p			
PART NO.	OSTOQXX7551	DWG NO.	OSTOQXX7551.DWG		
APPROVED	CHECKED	DESIGNED	DRAWN	CUST NO.	Tolerance
Shi Jun 2006.11.01	Marvin 2006.11.01	Marvin 2006.11.01	Steady 2006.11.01		X. ±0.50
					X.X ±0.30
				UNIT: mm	X.XX ±0.10
				SCALE: NONE	X° ±1°
				SHEET: 01/01	REV.: G