

PART NAME

PLASTIBOX (STYLE B)

PART No.

PWS-11291

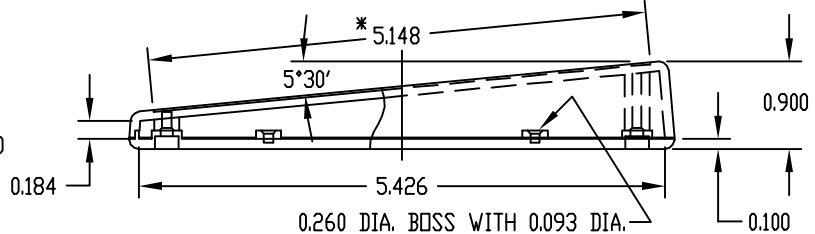
MATERIAL: HIGH-IMPACT ABS  
COLOR: BLACK OR GRAY  
FINISH: TEXTURED BODY WITH SMOOTH TOP INSERT

TWO (2) #4 x 0.250" LG. SCREWS AND TWO (2) #4 x 0.375 LG. SCREWS SUPPLIED FOR ASSEMBLING TOP.

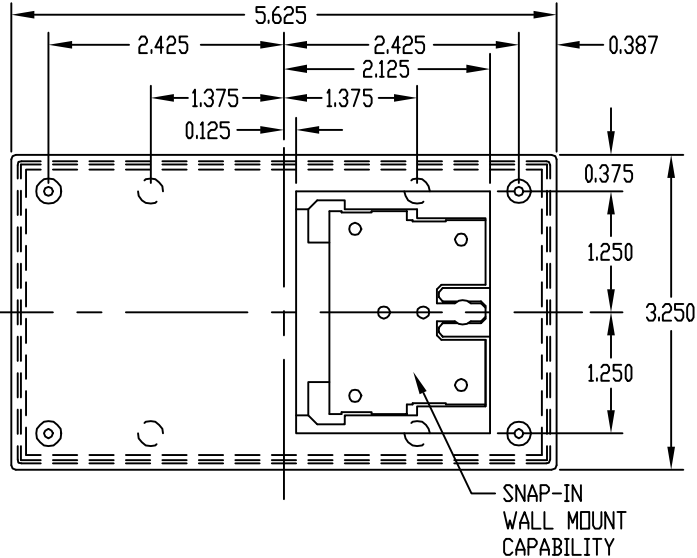
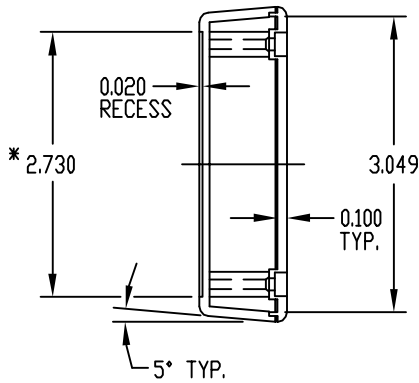
FOUR (4) #4 x 1/2 LG. FLAT HEAD SCREWS SUPPLIED FOR WALL MOUNTING.

\*-USABLE AREA ON COVER AVAILABLE FOR CUSTOM MOLDING.

NOTE: ALL DIMENSIONS HAVE ±0.015 TOLERANCE UNLESS OTHERWISE SPECIFIED.



0.260 DIA. BOSS WITH 0.093 DIA. HOLE x 0.156 DEEP (4) PLACES  
MOUNTING BOSSES USE EITHER M2.5 METRIC OR #4 STD. SHEET METAL SCREWS x 0.188" LG. (NOT SUPPLIED)



PART NAME

PLASTIBOX (STYLE B)

PART No.

PBS-11294

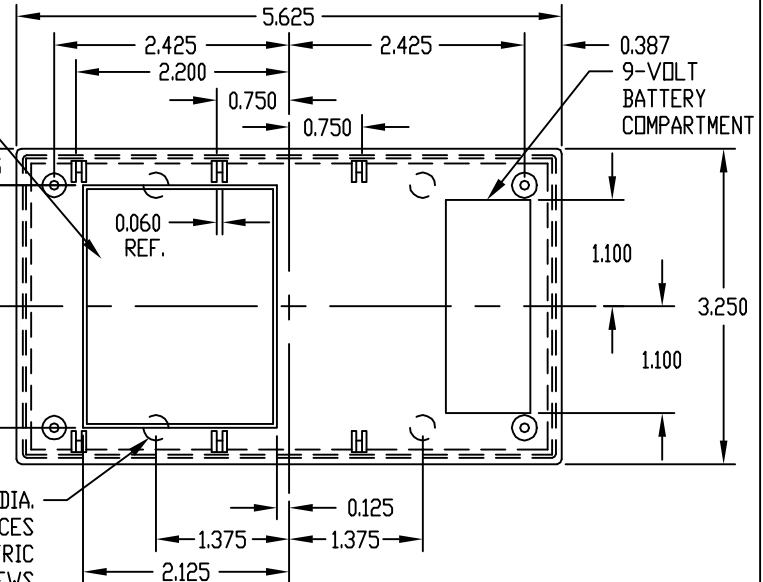
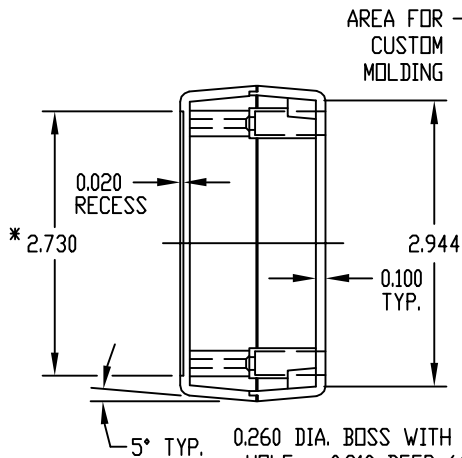
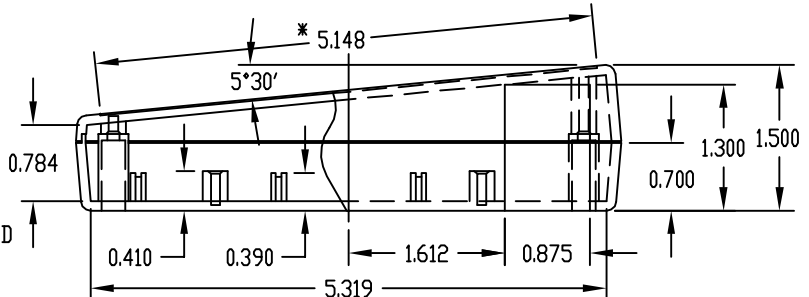
MATERIAL: HIGH-IMPACT ABS  
COLOR: BLACK OR GRAY  
FINISH: TEXTURED BODY WITH SMOOTH TOP INSERT

TWO (2) #4 x 0.250" LG. SCREWS AND TWO (2) #4 x 0.375 LG. SCREWS SUPPLIED FOR ASSEMBLING TOP.

FOUR (4) NON-SKID PUSH-ON FEET SUPPLIED

\*-USABLE AREA ON COVER ALSO AVAILABLE FOR CUSTOM MOLDING.

NOTE: ALL DIMENSIONS HAVE ±0.015 TOLERANCE UNLESS OTHERWISE SPECIFIED.



0.260 DIA. BOSS WITH 0.093 DIA. HOLE x 0.310 DEEP (4) PLACES  
MOUNTING BOSSES USE EITHER M2.5 METRIC OR #4 STD. SHEET METAL SCREWS x 0.250" LG. (NOT SUPPLIED)