

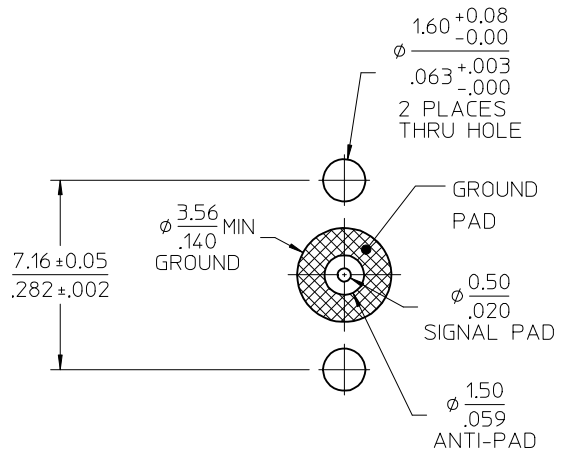
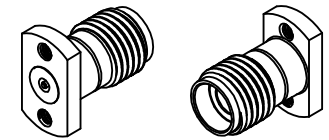
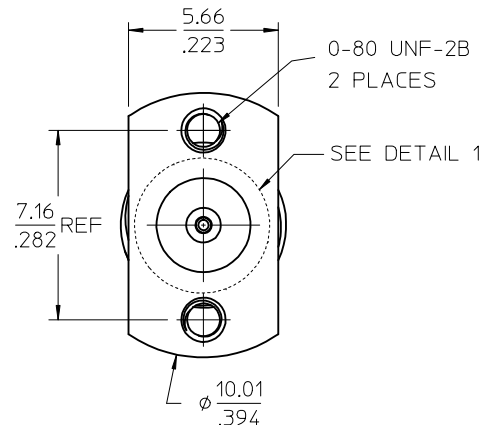
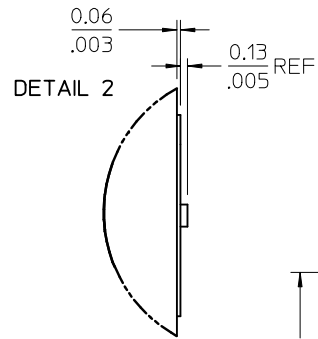
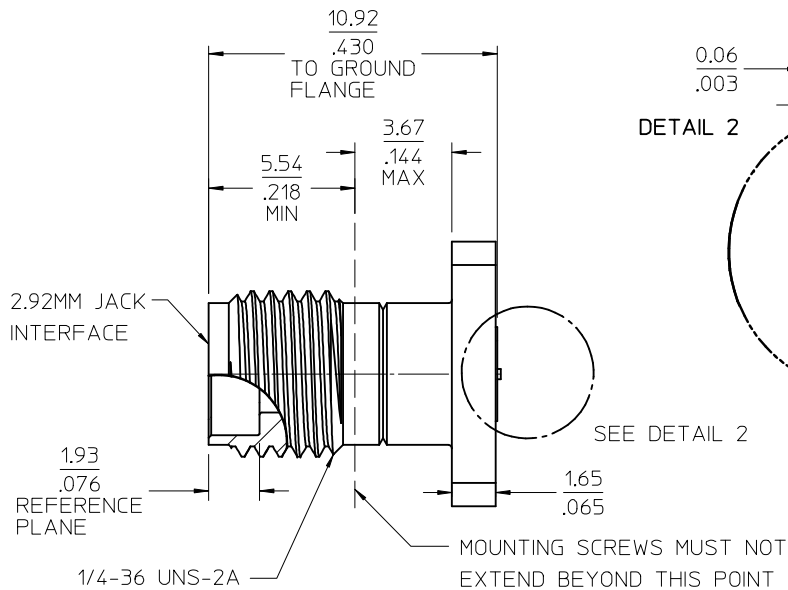
MATERIALS AND FINISHES:

BODY: STAINLESS STEEL
FINISH: PASSIVATED

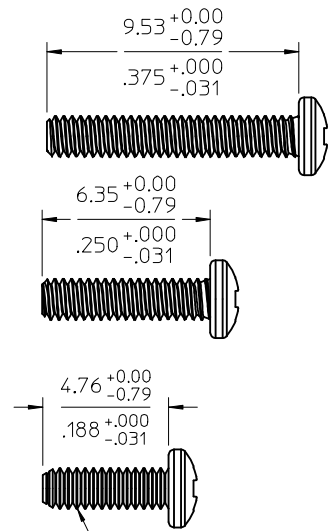
CENTER CONTACT: BERYLLIUM COPPER
PLATED: GOLD (30μ-in) MIN
OVER NICKEL (100μ-in) MIN.

INSULATOR: PTFE

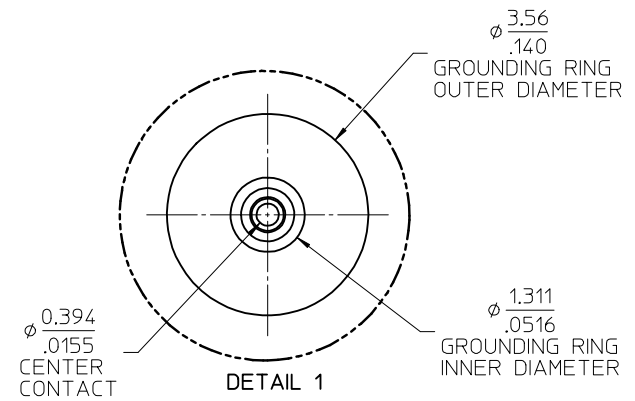
SCREW: STAINLESS STEEL
FINISH: PASSIVATED



GENERAL PCB LAYOUT
FOR OPTIMIZED LAYOUTS
CONTACT MOLEX ENGINEERING



0-80 UNF-2A THREAD
TORQUE TO .5-.8 INCH-POUNDS



NOTE:
PATENT PENDING

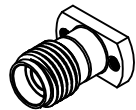
| | | |
|------------|--------------------------|--------------------------|
| 73252-0093 | WITH TWO 9.5/38 SCREWS | 4.32(.170) TO 7.50(.295) |
| 73252-0092 | NO SCREWS | |
| 73252-0091 | WITH TWO 6.35/.25 SCREWS | 1.78(.070) TO 4.19(.165) |
| 73252-0090 | WITH TWO 4.76/.19 SCREWS | 0.76(.030) TO 2.44(.096) |
| PART NO. | DESCRIPTION | PCB THICKNESS MM (IN) |

| | | |
|---------------------------------------------------------------------------------------------------------------|-----|-------------------------------------------|
| CHG: DRW VIEW UPDATED, ADDED DIA FOR C/SINK HOLES ON BODY & GEN TOLERANCE & VALUES. REV: B1 | REV | DESCRIPTION |
| | 1 | DRW:APR/01/15 CHKD:LLM APP:AR/01/15 |

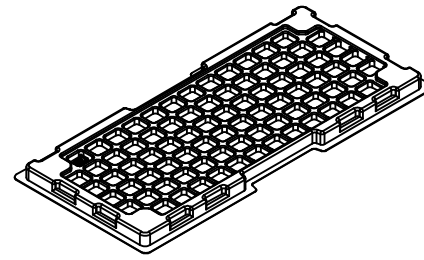
| | |
|-----------------|------------------------------------------------------|
| QUALITY SYMBOLS | GENERAL TOLERANCES (UNLESS SPECIFIED) |
| ▽=0 | mm INCH |
| ▽=0 | 4 PLACES ± --- ± --- |
| ▽=0 | 3 PLACES ± --- ± 0.010 |
| ▽=0 | 2 PLACES ± 0.25 ± --- |
| | 1 PLACE ± --- ± --- |
| | 0 PLACE ± ± |
| | ANGULAR ± 2° |
| | DRAFT WHERE APPLICABLE MUST REMAIN WITHIN DIMENSIONS |

| | |
|--------------------------|-------------------------------------------------------------------------------------------------------------------------------|
| DIMENSION STYLE MM/IN | |
| DRAWN BY JLEE02 | DATE 2011/11/22 |
| CHECKED BY SSS | DATE 2011/11/22 |
| APPROVED BY JW/ENER | DATE 2012/02/06 |
| MATERIAL NO. | |
| SEE TABLE | |
| SIZE C | THIS DRAWING CONTAINS INFORMATION THAT IS PROPRIETARY TO MOLEX INCORPORATED AND SHOULD NOT BE USED WITHOUT WRITTEN PERMISSION |

| | | |
|-----------------------------------------------------------------------|------------------------|------------------------|
| SCALE METRIC | DESIGN UNITS METRIC | THIRD ANGLE PROJECTION |
| TITLE 2.92MM JACK, PCB FIELD REPLACEABLE EWR-4834, 2.92-JR/F | | |
| DOCUMENT NO. SD-73252-009 | | SHEET NO. 1 OF 2 |
| molex | | |

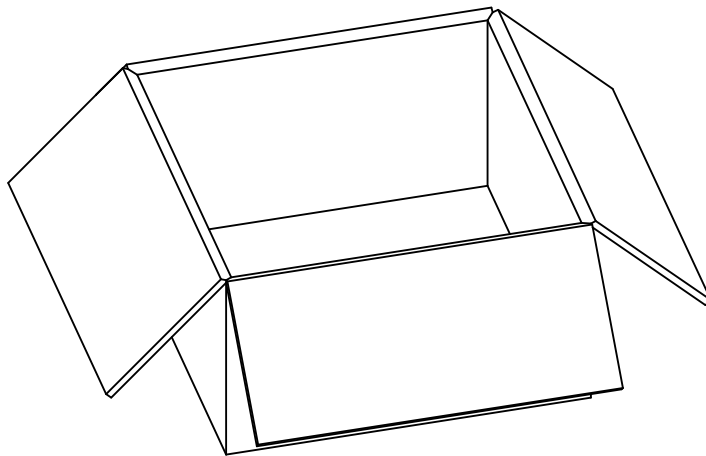


P/N: 73252-0092

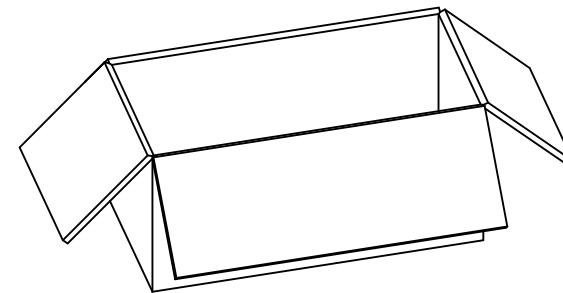


80 SETS PER TRAY
TRAY P/N: 89707-0190

FOR 73252-0092 ONLY



3200 SETS PER OUTER
CARTON BOX
P/N: 96708-0005



1600 SETS PER INNER
CARTON BOX
P/N: 96707-0001

| CHG:SEE SHEET 1 EC NO: URF2016-0157 DRWN:APRAKASHO1 2015/09/01 CHKD:LLM 2015/09/01 APPR:AROBERTSON 2015/09/15 | QUALITY SYMBOLS = 0 = 0.25 = 0.010 | GENERAL TOLERANCES (UNLESS SPECIFIED) <table border="1"> <tr> <th></th> <th>mm</th> <th>INCH</th> </tr> <tr> <td>4 PLACES</td> <td>± ---</td> <td>± ---</td> </tr> <tr> <td>3 PLACES</td> <td>± ---</td> <td>± 0.010</td> </tr> <tr> <td>2 PLACES</td> <td>± 0.25</td> <td>± ---</td> </tr> <tr> <td>1 PLACE</td> <td>± ---</td> <td>± ---</td> </tr> <tr> <td>0 PLACE</td> <td>±</td> <td>±</td> </tr> </table> | | mm | INCH | 4 PLACES | ± --- | ± --- | 3 PLACES | ± --- | ± 0.010 | 2 PLACES | ± 0.25 | ± --- | 1 PLACE | ± --- | ± --- | 0 PLACE | ± | ± | DIMENSION STYLE MM/IN | SCALE DESIGN UNITS METRIC | THIRD ANGLE PROJECTION |
|-------------------------------------------------------------------------------------------------------------------------------------|---------------------------------------------|---------------------------------------------------------------------------------------------------------------------------------------------------------------------------------------------------------------------------------------------------------------------------------------------------------------------------------------------------------------------------------------------------------------------|-------------------------|--------------------|--------------------------------------------------------------------------------|----------|-------|-------|----------|-------|---------|----------|--------|-------|---------|-------|-------|---------|---|---|---------------------------------|----------------------------------------|------------------------|
| | | mm | INCH | | | | | | | | | | | | | | | | | | | | |
| | 4 PLACES | ± --- | ± --- | | | | | | | | | | | | | | | | | | | | |
| | 3 PLACES | ± --- | ± 0.010 | | | | | | | | | | | | | | | | | | | | |
| 2 PLACES | ± 0.25 | ± --- | | | | | | | | | | | | | | | | | | | | | |
| 1 PLACE | ± --- | ± --- | | | | | | | | | | | | | | | | | | | | | |
| 0 PLACE | ± | ± | | | | | | | | | | | | | | | | | | | | | |
| REV B1 | DESCRIPTION | ANGULAR ± 2 ° DRAFT WHERE APPLICABLE MUST REMAIN WITHIN DIMENSIONS | DRAWN BY JLEE02 | DATE 2011/11/22 | TITLE 2.92MM JACK, PCB FIELD REPLACEABLE EWR-4834, 2.92-JR/F | | | | | | | | | | | | | | | | | | |
| | MATERIAL NO. SEE TABLE | DOCUMENT NO. SD-73252-009 | APPROVED BY JW IENER | DATE 2012/02/06 | SHEET NO. 2 OF 2 | | | | | | | | | | | | | | | | | | |
| SIZE THIS DRAWING CONTAINS INFORMATION THAT IS PROPRIETARY TO MOLEX INCORPORATED AND SHOULD NOT BE USED WITHOUT WRITTEN PERMISSION | | | | | | | | | | | | | | | | | | | | | | | |