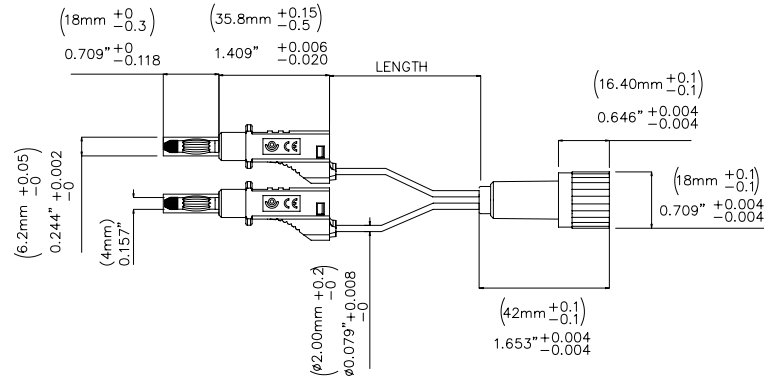


Models 72908

IEC Insulated BNC (M) to stackable/retractable



Features

- IEC Insulated BNC (M) to stackable/retractable 4 mm plugs
- Length 10in (25cm)

Materials

- Connector body: Nickel plated Brass
- Center Contact: Gold Plated Brass
- Dielectric: White PTFE
- Plug spring: Nickel plated bronze Beryllium copper.
- Plug Body: Nickel plated Brass
- Insulation: Nylon
- Wire: Silicone

Specifications

Max Temperature	85°
Max Current	6A
Max Voltage	30 V AC / 70 V DC

Rating: *hands free testing* in controlled environment: 70Vrms max. For CE compliance: Not intended for hand-held use at voltages above 33Vrms/70Vdc

Ordering Information

Model: 72908

USA: Sales: 800-490-2361 Technical Support: 800-241-2060 Fax: 888-403-3360

Europe: 31-(0) 40 2675 150 **International:** 425-446-5500

e-mail: technicalsupport@pomonatest.com

Where to Buy: www.pomonaelectronics.com

All dimensions are in inches. Tolerances (except noted): .xx = ±.02" (.51 mm), .xxx = ±.005" (.127 mm). All specifications are to the latest revisions. Specifications are subject to change without notice. Registered trademarks are the property of their respective companies.