

MATERIALS AND FINISHES

BODY: BRASS
PLATED TRI-M

CONTACT: BRASS
PLATED SILVER

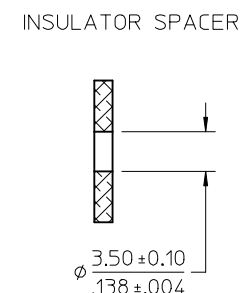
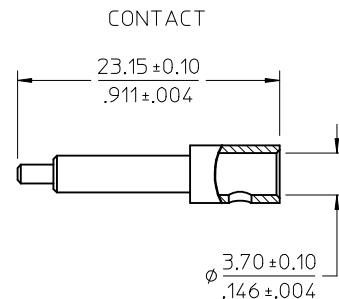
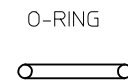
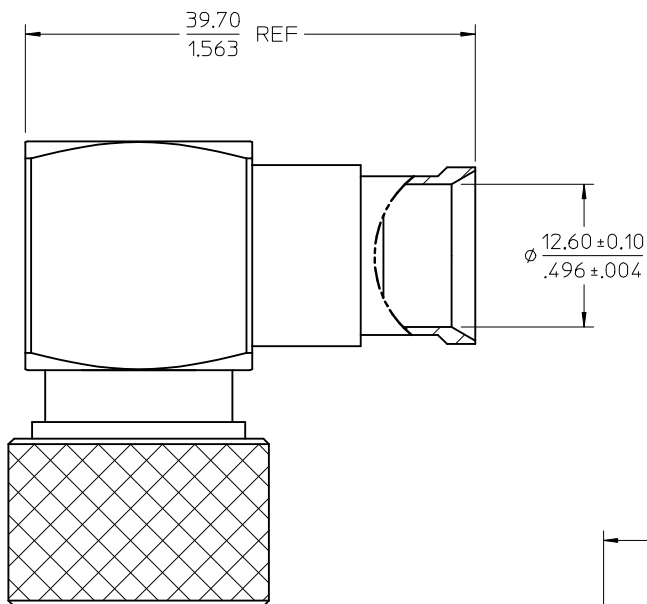
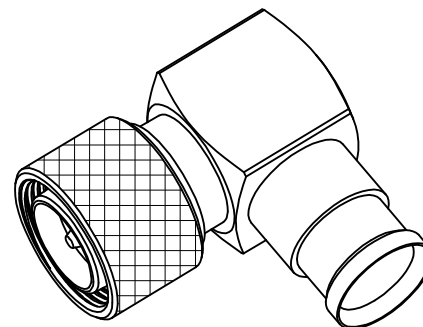
INSULATOR: TEFLON

COUPLING NUT: BRASS
PLATED NICKEL

O-RING: SILICONE RUBBER

PERFORMANCE REQUIREMENTS:

FREQUENCY RANGE: 0-6GHz
IMPEDANCE: 50 OHM
WITHSTAND VOLTAGE(AC): 2500V @0,5mA
VSWR: ≤1.10(0-3GHz)
PIM3(2x20W): ≤-160dBc@1800MHz
WATER-PROOF: IP68 WHEN MATED



4.3-10 PLUG
INTERFACE

73162-6182	ONE PIECE PER CARTON	NO
73162-6181	ONE PIECE PER CARTON	YES
73162-6180	BLANK	NO
PART NO.	PACKAGING	DUST CAP

IEC61169-54	INTERFACE
SPECIFICATION	DESCRIPTION

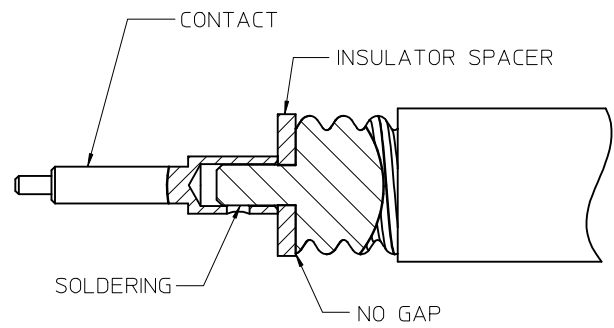
CHG DRAWING UPDATE 39.70 WAS 41.20, ADD NEW PN. 73162-6182	EC NO: URF2016-0700	QUALITY SYMBOLS ▽=0 ▽=0 ▽=0
	DRWN: YHUANG11 2017/01/13 CHKD: APPR: MYE08 2017/03/03	
A2		

GENERAL TOLERANCES (UNLESS SPECIFIED)	mm	INCH
	4 PLACES ± .005	± .0002
	3 PLACES ± .003	± .0001
	2 PLACES ± .002	± .00005
	1 PLACE ± .001	± .00002
	0 PLACE ± .000	± .00001
ANGULAR ± 2°		
DRAFT WHERE APPLICABLE MUST REMAIN WITHIN DIMENSIONS		

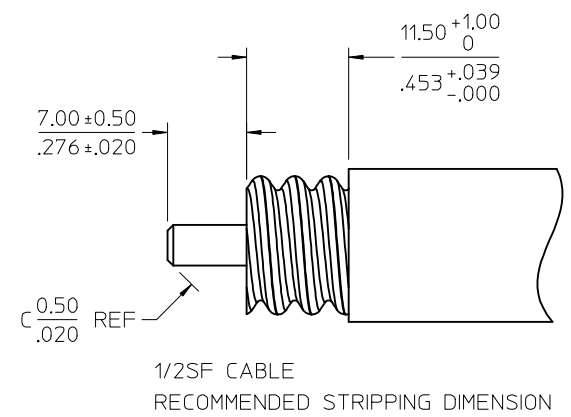
DIMENSION STYLE MM/IN	
DRAWN BY YHUANG11	DATE 2015/12/04
CHECKED BY MXU11	DATE 2015/12/04
APPROVED BY MYE08	DATE 2016/02/29
MATERIAL NO. SEE TABLE	

SCALE METRIC	DESIGN UNITS METRIC	THIRD ANGLE PROJECTION
TITLE 4.3-10 PLUG R/A, 50 OHM FOR 1/2SF CA, SOLDERING 4.3-10-R/A-PS		
DOCUMENT NO. SD-73162-618		SHEET NO. 1 OF 2
THIS DRAWING CONTAINS INFORMATION THAT IS PROPRIETARY TO MOLEX INCORPORATED AND SHOULD NOT BE USED WITHOUT WRITTEN PERMISSION		

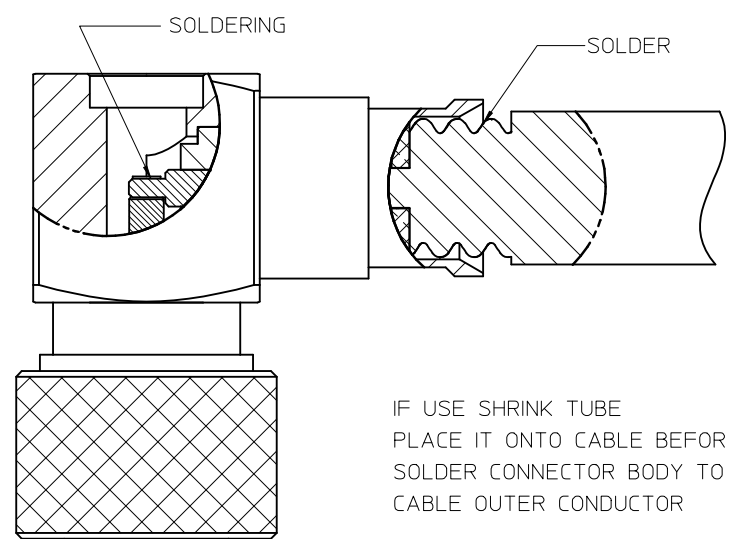
STEP 2



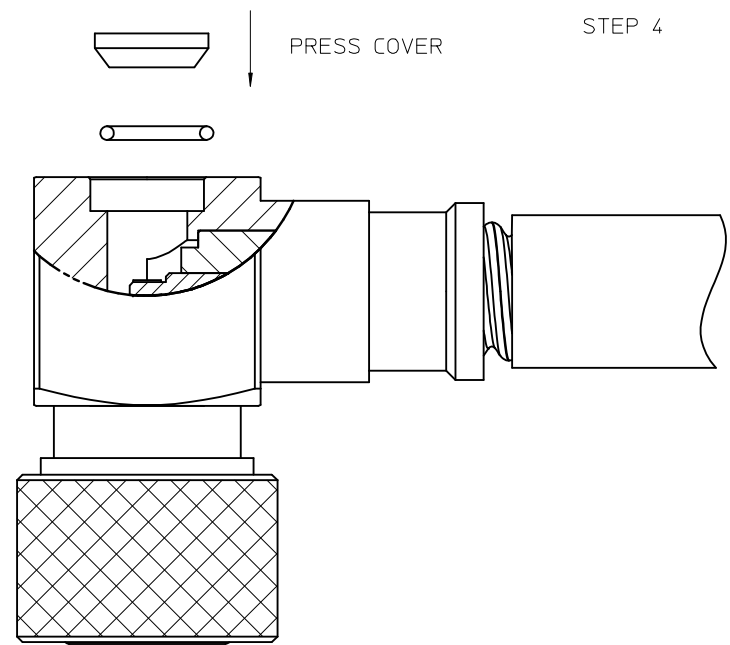
STEP 1



STEP 3



STEP 4



CHG: SEE SHEET 1 EC NO: URF2016-0700 DRAWN: YHUANG11 2017/01/13 CHKD: APPR: MYE08 2017/03/03	DESCRIPTION	QUALITY SYMBOLS	GENERAL TOLERANCES (UNLESS SPECIFIED)	DIMENSION STYLE	SCALE	DESIGN UNITS	THIRD ANGLE PROJECTION																													
		$\nabla = 0$ $\nabla = 0$ $\nabla = 0$	<table border="1"> <tr> <th></th> <th>mm</th> <th>INCH</th> </tr> <tr> <td>4 PLACES</td> <td>± ---</td> <td>± ---</td> </tr> <tr> <td>3 PLACES</td> <td>± ---</td> <td>± ---</td> </tr> <tr> <td>2 PLACES</td> <td>± ---</td> <td>± ---</td> </tr> <tr> <td>1 PLACE</td> <td>± ---</td> <td>± ---</td> </tr> <tr> <td>0 PLACE</td> <td>± ---</td> <td>± ---</td> </tr> </table>		mm	INCH	4 PLACES	± ---	± ---	3 PLACES	± ---	± ---	2 PLACES	± ---	± ---	1 PLACE	± ---	± ---	0 PLACE	± ---	± ---	MM/IN	METRIC	<table border="1"> <tr> <td>DRAWN BY</td> <td>DATE</td> </tr> <tr> <td>YHUANG11</td> <td>2015/12/04</td> </tr> <tr> <td>CHECKED BY</td> <td>DATE</td> </tr> <tr> <td>MXU11</td> <td>2015/12/04</td> </tr> <tr> <td>APPROVED BY</td> <td>DATE</td> </tr> <tr> <td>MYE08</td> <td>2016/02/29</td> </tr> </table>	DRAWN BY	DATE	YHUANG11	2015/12/04	CHECKED BY	DATE	MXU11	2015/12/04	APPROVED BY	DATE	MYE08	2016/02/29
	mm	INCH																																		
4 PLACES	± ---	± ---																																		
3 PLACES	± ---	± ---																																		
2 PLACES	± ---	± ---																																		
1 PLACE	± ---	± ---																																		
0 PLACE	± ---	± ---																																		
DRAWN BY	DATE																																			
YHUANG11	2015/12/04																																			
CHECKED BY	DATE																																			
MXU11	2015/12/04																																			
APPROVED BY	DATE																																			
MYE08	2016/02/29																																			
A2	REV	ANGULAR ± 2°	DRAFT WHERE APPLICABLE MUST REMAIN WITHIN DIMENSIONS	SEE TABLE	DOCUMENT NO.	SD-73162-618	SHEET NO. 2 OF 2																													