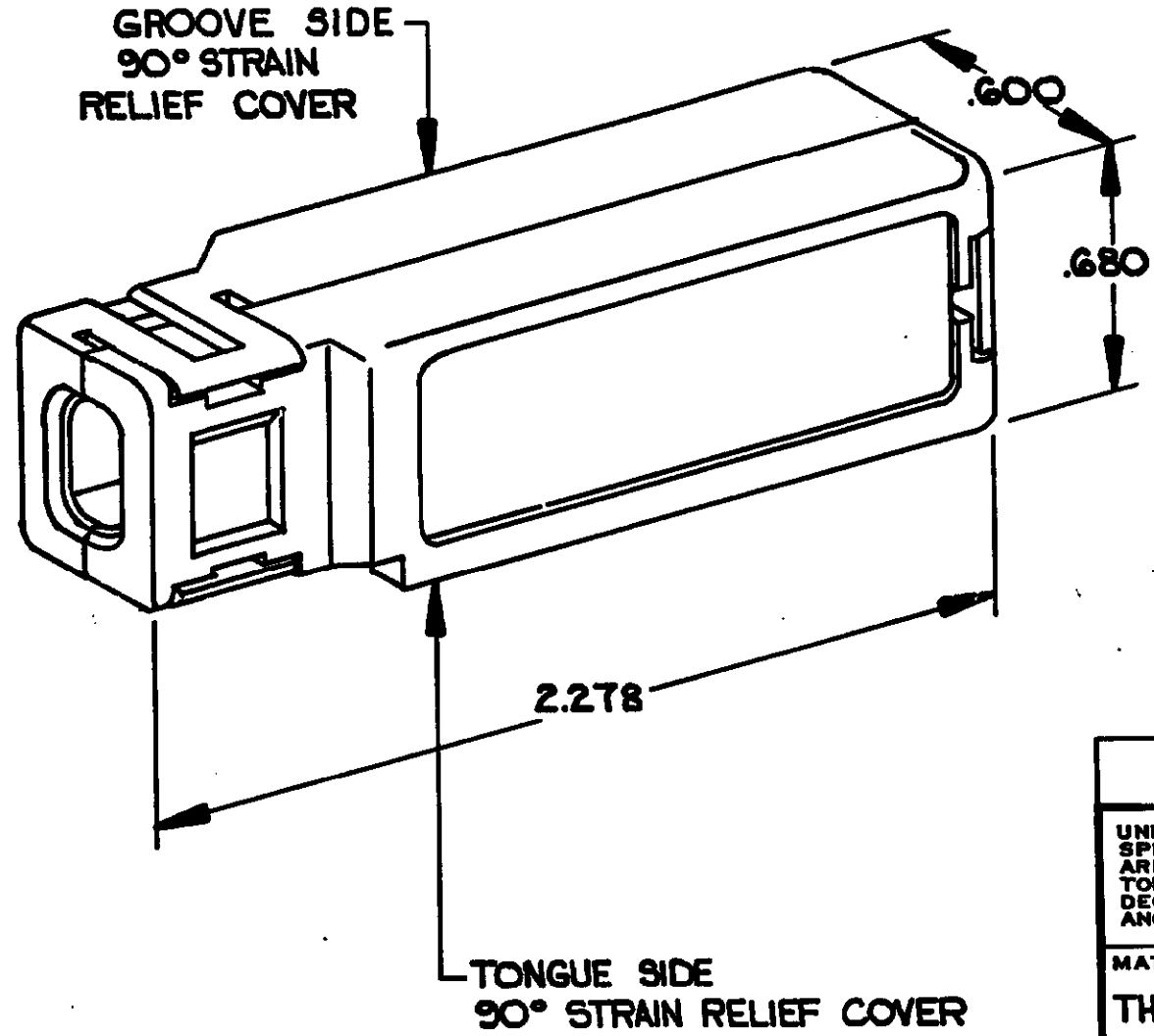


THIS DRAWING IS UNPUBLISHED. RELEASED FOR PUBLICATION . 19  
 © COPYRIGHT 19 BY AMP INCORPORATED, HARRISBURG, PA. ALL INTERNATIONAL RIGHTS RESERVED. AMP PRODUCTS MAY BE COVERED BY U.S. AND FOREIGN PATENTS AND/OR PATENTS PENDING.

REVISIONS						
P	F	ZONE	LTR	DESCRIPTION	DATE	APPROVED
F			F	OBS: -4; ECN AA-4830	5-21-83	SW N.J.

1. ALL DIMENSIONS SHOWN ARE FOR REFERENCE ONLY UNLESS OTHERWISE SPECIFIED.
2. COVERS SHIPPED NOT ASSEMBLED.
3. 100 KITS BULK PACKED.



.305 - .360	BLACK	1-552420-1	1-552419-1	1-552413-1
.250 - .300		552420-1	552419-1	552413-1
CABLE RANGE	COLOR	GROOVE SIDE	TONGUE SIDE	KIT
DIAMETER		PART NO.	PART NO.	PART NO.

UNLESS OTHERWISE SPECIFIED DIMENSIONS ARE IN INCHES. TOLERANCES ON: DECIMALS ± ANGLES ±	CONTRACT NO	<b>AMP</b>   AMP INCORPORATED Harrisburg, Pa.		
	DR <i>Phil Collins</i> 5-11-83			
MATERIAL THERMOPLASTIC	CHK <i>Stephen Dow</i> 5-16-83	NAME COVER KIT, 90° STRAIN RELIEF, 24 POSITION, CHAMP®		
	APPD <i>C.F. M...</i> 5/16/83	SIZE <b>B</b>	FSCM NO <b>00779</b>	DRAWING NO <b>552413</b>
FINISH	DSGN APPD	SCALE <b>2:1</b>		SHEET <b>1 OF 1</b>
	OTHER APPD			