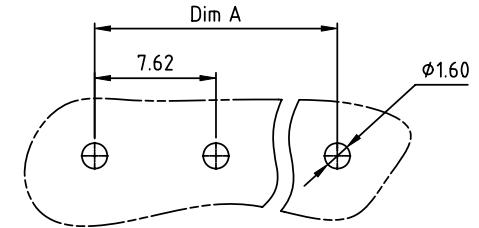
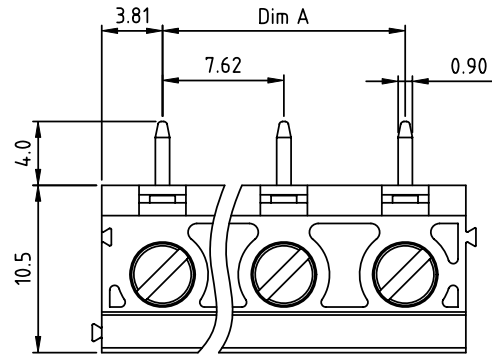
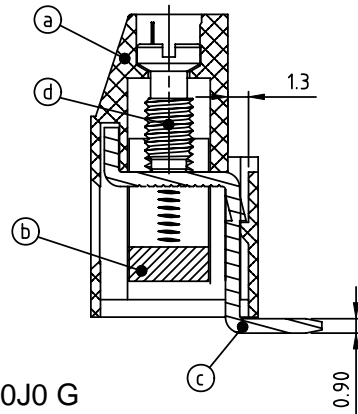
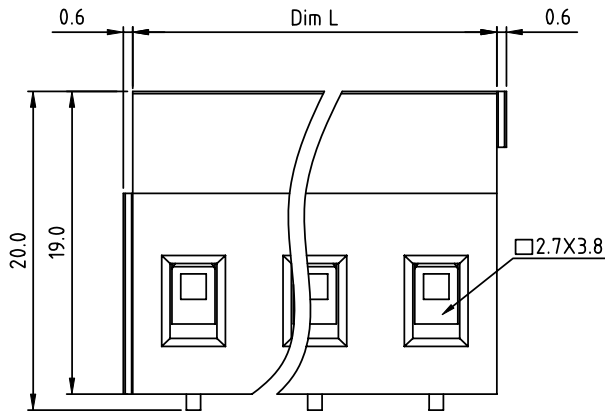


PRODUCT NUMBER	PITCH
VJxx61x300J0G	7.62mm



RECOMMENDED P.C.B LAYOUT  
TOP VIEW



Material:

- Item①Terminal housing:Thermoplastic (UL 94V-0)
- Item②Clamp: Brass Ni plated
- Item③Solder pin:Brass Tin plated
- Item④Terminal screw: Steel Zinc plating"- "slot type

Electrical cULus / VDE

- Voltage rating : 300VAC / 750V
- Current rating : 20A / 24A
- Wire range : 0.2-2.5mm<sup>2</sup>
- Solid wire(AWG) : 12-30
- Stranded wire(AWG) : 12-30
- Torque : 3.5 Lb-In / 0.5 N.m
- Screw: M3
- Wire strip length: 6-7mm
- Withstanding Voltage: 1.6KV / 3KV
- Operating temperature: -40°C to +115°C
- Soldering temperature: 260°C±5°C/5 Sec
- Safety Approval:

PART NO.: VJ xx 6 1 x 3 00J0 G

Dimension L&B

Dim L	N×7.62
Dim A	(N-1)×7.62

N=Number of poles

Poles	Tolerance
4p-8p	±0.20
9p-12p	±0.30
13p-16p	±0.40

Solid block	No. of poles	Color	RoHS compliant (lead<4%) In copper Alloy
04	4 poles	0 Black (RAL9005)	
05	5 poles	2 Red (RAL3001/D)	
...	...	3 Orange(RAL2011/P)	
16	16 poles	4 Yellow(RAL1018/A)	
		5 Green(RAL6018/T)	
		6 Blue (RAL5015/A)	
		8 Grey(RAL7035/D)	
		9 White(RAL1102)	
		C Green(RAL6018/U)	

mat'l. code		surface ASME Y14.5	tolerance ASME Y14.5	projection	product family
ltr	ecn no	dr	date		TERMINAL BLOCK
tolerances unless otherwise specified				MM	title
angles	$\phi$	X.±0.5		scale	TERMINAL BLOCK
	LE	X.X±0.3			RISING CLAMP,90D WIRE INLET,SOLID BLOCK
		X*±1*			dwg no
dr	EVIN ZHONG	040914			sheet 1 of 1
enr	EVIN ZHONG	040914			size
chr	HANKE FENG	040914			VJxx61x300J0G
appd	SHI JUN	040914			A4
sheet index	revision sheet	A	1	type	CUSTOMER Drawing