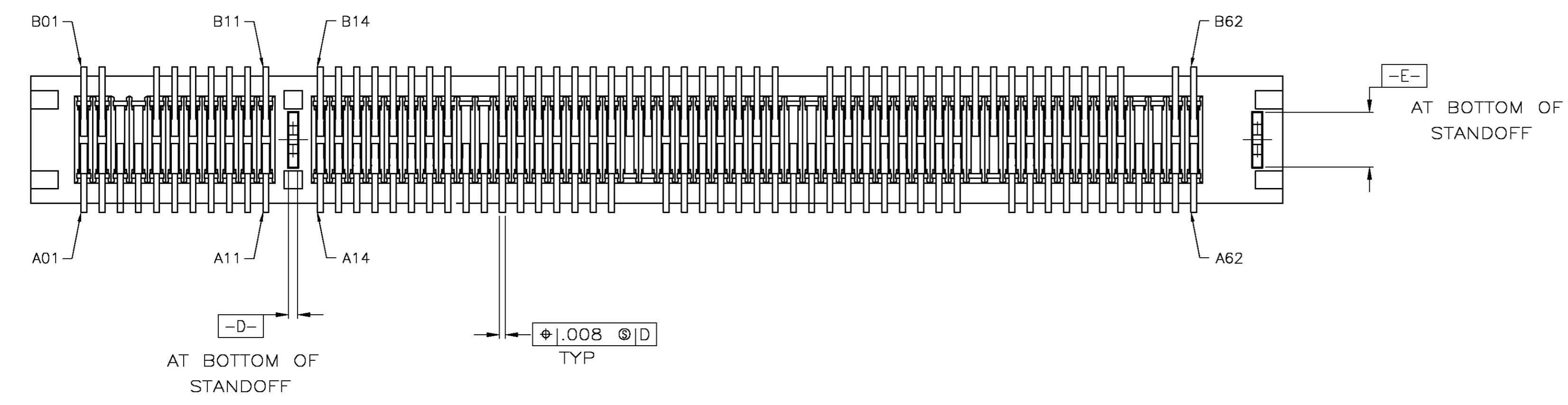
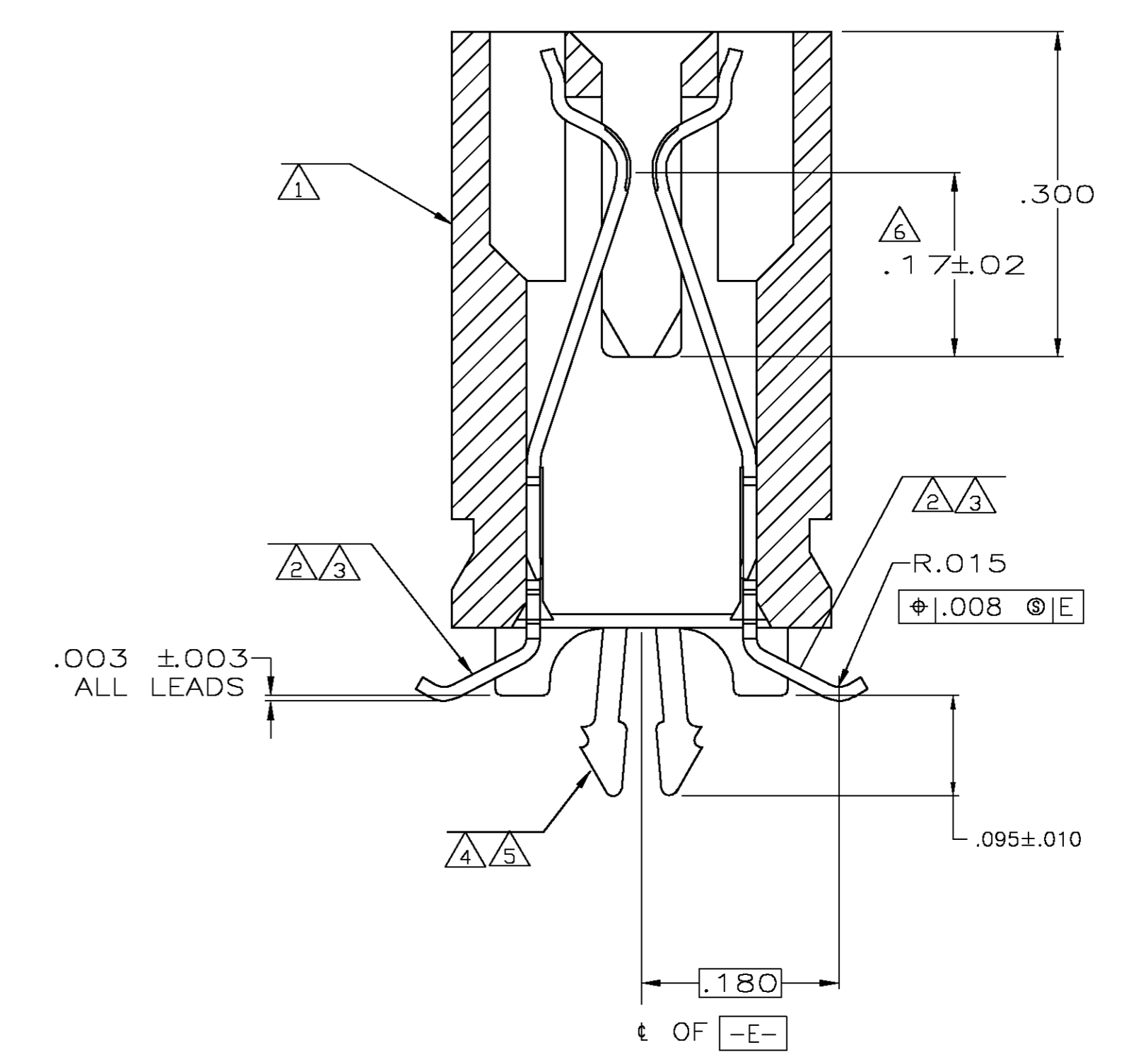
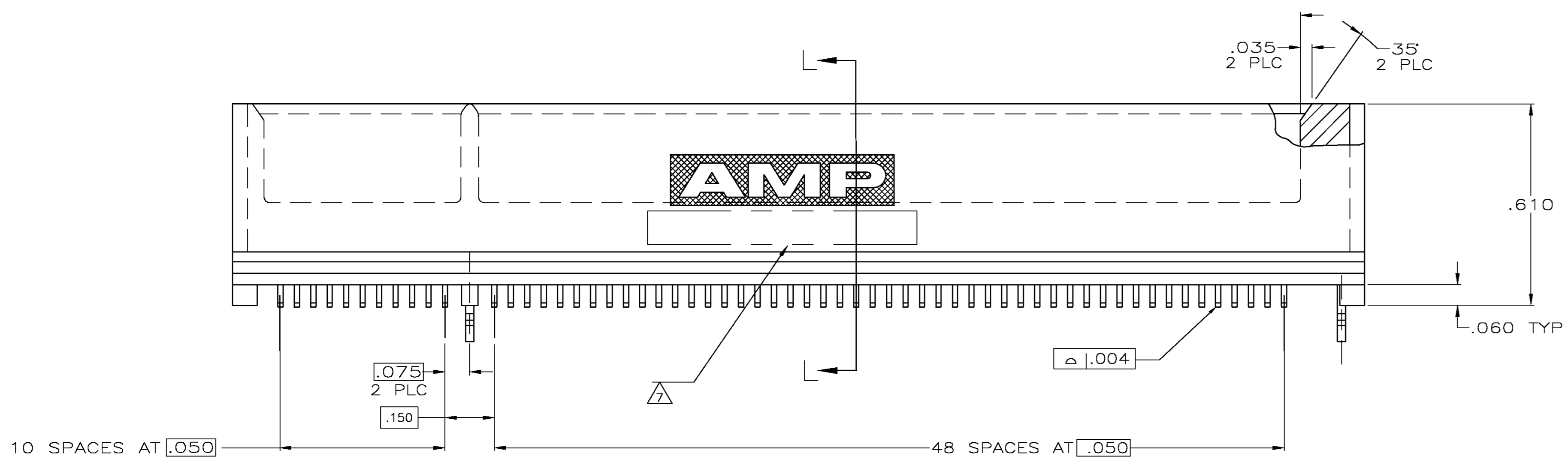
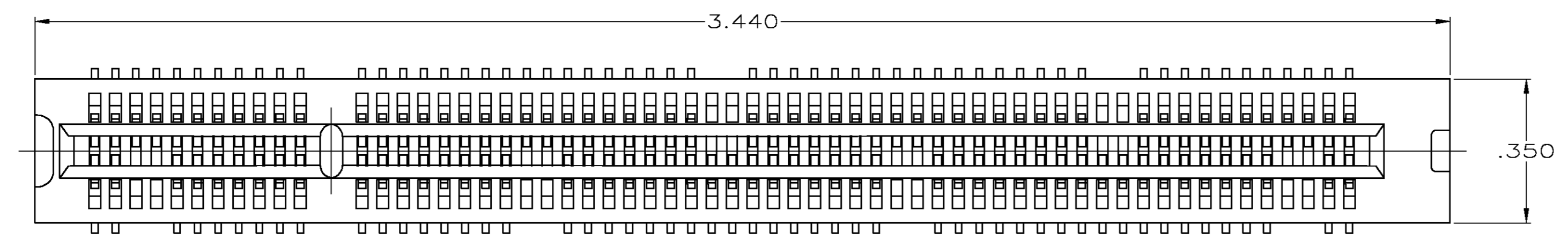


- △ HOUSING: POLYPHENYLENE SULFIDE
- △ CONTACT: PHOSPHOR BRONZE
- △ CONTACT FINISH: .000030 MIN GOLD IN CONTACT AREA OVER .000100 MIN NICKEL ON ENTIRE CONTACT, .000100 MIN MATTE TIN OVER NICKEL ON SOLDER TAILS
- △ METAL HOLD DOWN: BRASS
- △ METAL HOLD DOWN FINISH: .000150 MIN MATTE TIN ON ENTIRE HOLD DOWN OVER .000050 MIN NICKEL ON ENTIRE CONTACT
- △ DISTANCE FROM CONTACT POINT TO BOTTOM OF CARD SLOT
- △ AMP PART NUMBER, DATE CODE AND CSA LOGO MARKED IN APPROXIMATE AREA SHOWN
- 8. SELECT LOAD, NO CONTACTS LOADED IN POSTIONS
 A31, A32, A50, A51
 B3, B4, B22, B23, B40, B41, B59, B60



6489898-1 AS SHOWN

THIS DRAWING IS A CONTROLLED DOCUMENT.		DRN AL FRANTUM 24 JUN 05	 Tyco Electronics Corporation MIDDLETOWN, PA 17057
DIMENSIONS: INCHES		CHK AL FRANTUM 24 JUN 05	
TOLERANCES UNLESS OTHERWISE SPECIFIED:		APVD	NAME
0 PLC ± -	PRODUCT SPEC	CONNECTOR ASSEMBLY, 60 DUAL POSITION, SELECT LOAD, .50 SERIES STANDARD EDGE, SURFACE MOUNT	
1 PLC ± -	108-14034	SIZE	CAGE CODE DRAWING NO
2 PLC ± .01	APPLICATION SPEC	A1	00779 6489898
3 PLC ± .005	114-13148	WEIGHT	-
4 PLC ± -	CUSTOMER DRAWING	SCALE	4:1
ANGLES ± 2		SHEET	1 OF 2
FINISH		REV	0

