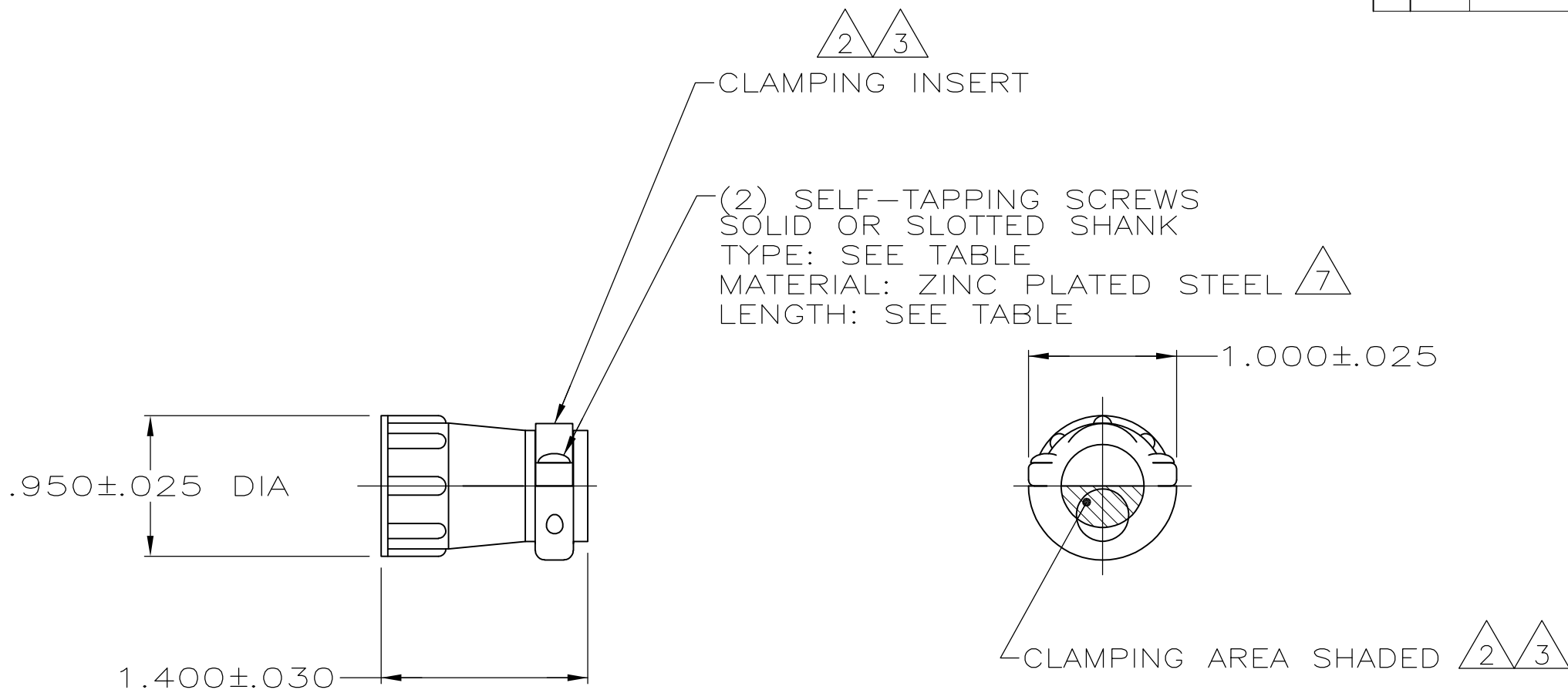


THIS DRAWING IS UNPUBLISHED. RELEASED FOR PUBLICATION
 © COPYRIGHT - By - ALL RIGHTS RESERVED.

LOC	DIST	REVISIONS					
FT	0	P	LTR	DESCRIPTION	DATE	DWN	APVD
			M3	REVISED PER ECO-11-004587	11MAR11	RK	HMR



(2) (7)	(5) BULK	$.50 \pm .05$	#5-20	206966-9
(8) (2) (7)	OBSOLETE SMALL PACK	$.50 \pm .05$	#5-20	206966-8
(2) (7)	INDIVIDUAL	$.50 \pm .05$	#5-20	206966-7
(8) (7)	OBSOLETE SMALL PACK	$.50 \pm .05$	#5-20	206966-6
(2)	AMP BRAZIL USE ONLY INDIVIDUAL	$12\text{mm} \pm .8$	3mm-20	(6) 206966-5
	INDIVIDUAL	$.50 \pm .05$	#5-20	(6) 206966-4
(7)	SUPERSEDED BY 206966-9 (5) BULK	$.50 \pm .05$	#5-20	206966-2
(7)	SUPERSEDED BY 206966-7 INDIVIDUAL	$.50 \pm .05$	#5-20	206966-1
	PACKAGING	SCREW LENGTH	SCREW TYPE	PART NUMBER

- 1 PARTS PACKAGED UNASSEMBLED.
- (2) CABLE CLAMPING AREA ADJUSTABLE FROM .010 TO .161 SQ IN BY REVERSING CLAMPING INSERTS. (2 INSERTS SUPPLIED).
- (3) CABLE CLAMPING AREA ADJUSTABLE FROM .010 TO .161 SQ IN BY CHANGING CLAMPING INSERTS. (4 INSERTS SUPPLIED, -4 ONLY).
- 4 .453 MAXIMUM CABLE OUTSIDE DIAMETER.
- (5) BULK PACKAGED KITS TO BE ORDERED IN MULTIPLES OF 200 ONLY.
- (6) OBSOLETE PART NUMBER.
- (7) ZINC PLATED NON-HEXAVALENT CHROMATE.
- (8) OBSOLETE PARTS: OBSOLETE CIS STREAMLINING PER D.RENAUD/D.SINISI

THIS DRAWING IS A CONTROLLED DOCUMENT.		DWN A GRAFF 4/23/91	STE TE Connectivity	
DIMENSIONS: INCHES		CHK W.G.LENKER 7-23-92		
TOLERANCES UNLESS OTHERWISE SPECIFIED:		APVD -	NAME	
0 PLC ± -		PRODUCT SPEC	CABLE CLAMP KIT, STANDARD, SHELL SIZE 13, CPC	
1 PLC ± -		108-10024	SIZE CAGE CODE DRAWING NO RESTRICTED TO	
2 PLC ± -		APPLICATION SPEC	A3 00779 C-206966	
3 PLC ± -		WEIGHT -	SCALE NTS SHEET 1 OF 1 REV M3	
4 PLC ± -		CUSTOMER DRAWING		
ANGLES ± -				
FINISH -				
MATERIAL THERMOPLASTIC				