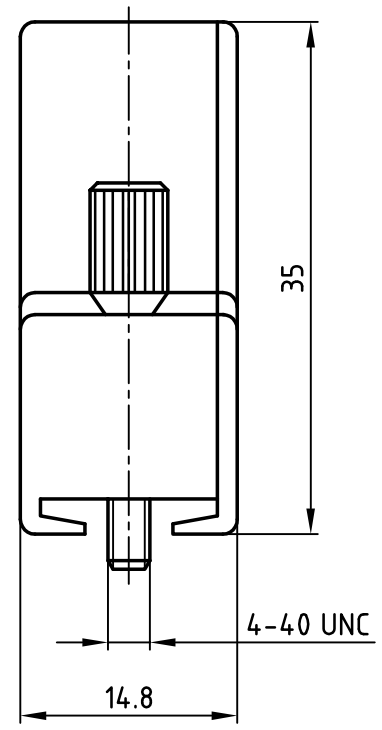
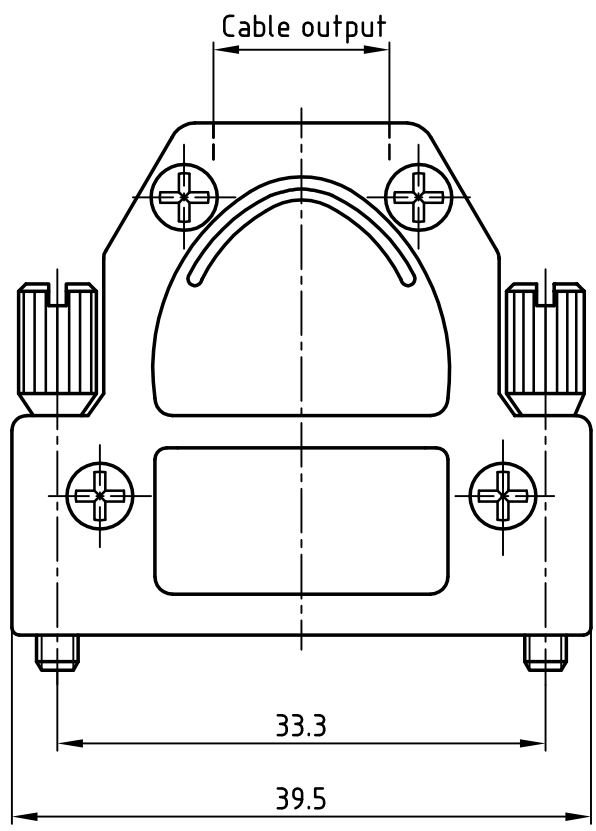


used for: D-SUB



APPROVAL # FREIGABE # DEBLOCAGE # AUTORIZACION # APPROVAL

CUSTOMER APPROVAL DATE:

NAME: TITLE:

COMPANY NAME:

APPROVAL # FREIGABE # DEBLOCAGE # AUTORIZACION # APPROVAL

THIS DRAWING MAY NOT BE COPIED OR REPRODUCED IN ANY WAY, AND MAY NOT BE PASSED ON TO A THIRD PARTY WITHOUT WRITTEN PERMISSION. OWNERSHIP AND COPYRIGHT OF CONEC GmbH DO NOT ALTER CAD DRAWING BY HAND

tolerance		dim. in mm	
2007	date	name	
drawn	12.04.	Schwenkler	
appd.	12.04.	Mickenbecker	
norm			
d-old			
a	Origin		
rev.	description	date	name



scale:	2:1	
material:	HOOD: DIE-CAST ZINC	
title:	METAL HOOD 15pos. EMI / RFI SHIELDING with jack screws	
dwg no:	AutoCAD 2006	DIN-A
	16K1A2043	4
part no:	600X51215X	sh: 1/1

4

3

2

1

F

F

E

E

D

D

C

C

B

B

A

A

4

3

2

1