

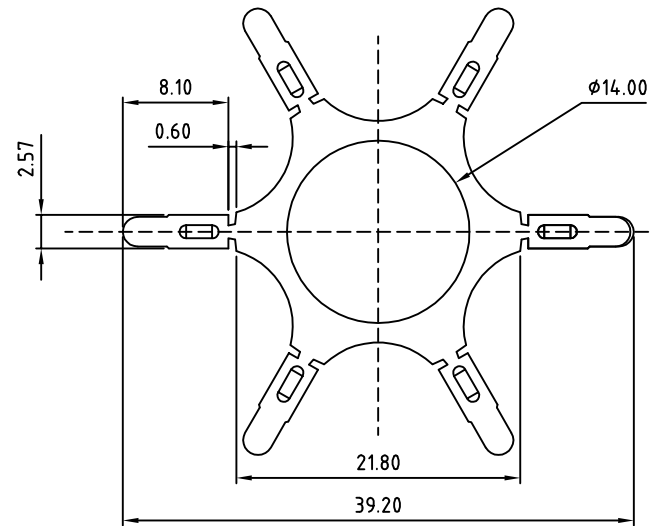
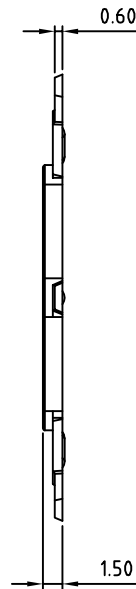
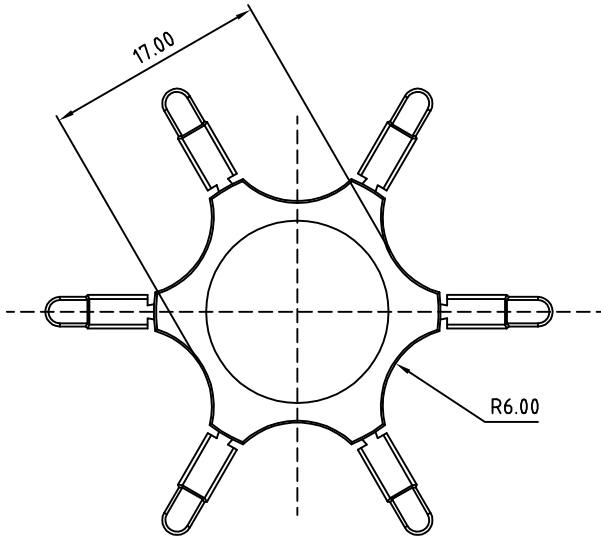
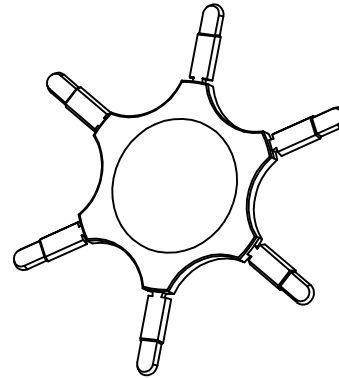
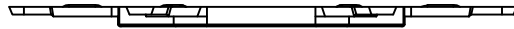
SIGN	DATE	DESCRIPTION	APPROVER
		<i>THIS IS CAD DRAWING, DO NOT REVISE MANUALLY!!!</i>	

Material

● Insulator (housing): Thermoplastic (UL94V-0)

Pitch 3.5/3.81

	OSTOQ	OSTVK	OSTVL	OSTVO	OSTVZ
OSTAG	●	●	●	●	●



THESE DRAWINGS AND SPECIFICATIONS ARE THE PROPERTY OF ON-SHORE TECHNOLOGY, INC. AND SHALL NOT BE REPRODUCED, COPIED OR USED IN ANY MANNER WITHOUT THE PRIOR WRITTEN CONSENT OF ON-SHORE TECHNOLOGY, INC.

TITLE		OSTAG Series Key			
PART NO.		OSTAG000020		DWG NO.	OSTAG000020.DWG
APPROVED	CHECKED	DESIGNED	DRAWN	CUST NO.	Tolerance
Shi Jun 2006.11.3	Marvin 2006.04.11	Marvin 2006.04.11	Marvin 2006.04.11		X. ±0.50 X.X ±0.30 X.XX ±0.10 X° ±1°
				UNIT: mm	
				SCALE: NONE	
				SHEET: 01/01	REV.: B