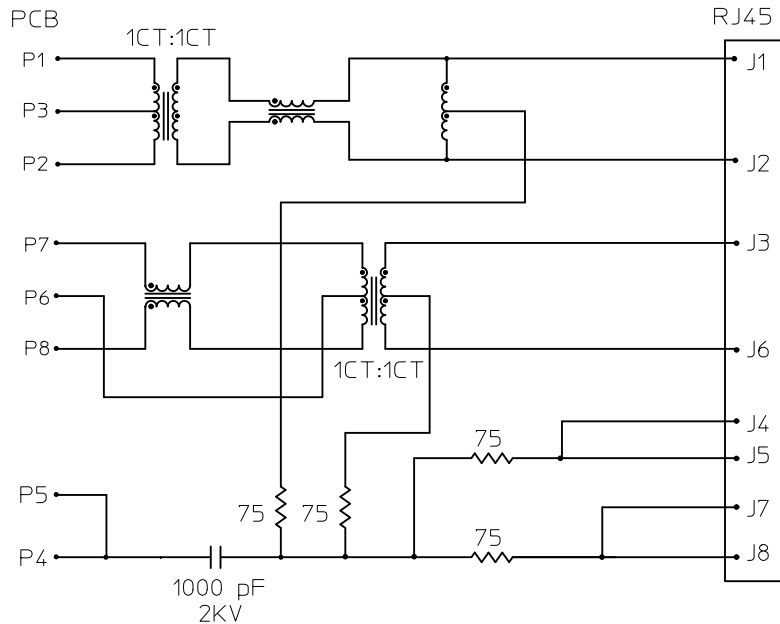


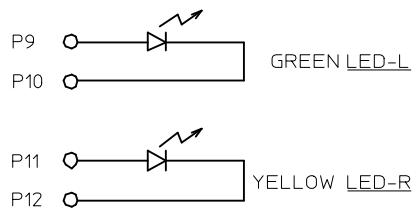
NOTES:

- MATERIAL:
METAL SHELL: BRASS
HOUSING: POLYAMIDE, GLASS FIBER FILLED, UL94-0,COLOR BLACK
INSERT: POLYAMIDE, GLASS FIBER FILLED, UL94-0,COLOR BLACK
TERMINAL: PHOSPHOR BRONZE
- PLATING:
TERMINAL:
CONTACT AREA: GOLD(Au),THICKNESS=50 MICROINCH/1.27 MICROMETER
SOLDER TAIL: TIN(Sn),THICKNESS=100 MICROINCH MINIMUM
UNDER PLATE: NICKEL (Ni).
- METAL SHELL:
SOLDER TAIL: TIN(Sn),THICKNESS=100 MICROINCH MINIMUM
UNDER PLATE: NICKEL (Ni),(SOLDERING AVAILABLE)
SURFACE APPEARANCE: BRIGHT.
- RECOMMENDED PCB THICKNESS: 1.60±0.05
- PRODUCT SPECIFICATION REFER TO PS-48025-005
- TEST SUMMARY REFER TO TS-48025-007
- PACKAGING SPECIFICATION REFER TO PK-48025-001
- LEAD FREE AND RoHS COMPLIANT PRODUCT.

RELEASED EC NO: SH2012-0361 DRWNR: RL109 2012/05/11 CHKD: APPR: RZHANG 2012/06/22 REV DESCRIPTION	QUALITY SYMBOLS	GENERAL TOLERANCES (UNLESS SPECIFIED)	DIMENSION STYLE	SCALE	DESIGN UNITS	THIRD ANGLE PROJECTION
	$\nabla=0$ $\triangle=0$	mm INCH	MM ONLY	METRIC		
	4 PLACES ± --- ± --- 3 PLACES ± --- ± --- 2 PLACES ± 0.25 ± --- 1 PLACE ± 0.25 ± --- 0 PLACE ± ±	DRAWN BY: LINDA CHECKED BY: ALLEN LIN APPROVED BY: ERICK LAN DATE: 2006/08/08 DATE: 2006/08/10 DATE: 2006/08/10	TITLE	MODULAR JACK WITH INTEGRATED MAGNETICS WITH LED molex		
	ANGULAR ± 3° DRAFT WHERE APPLICABLE MUST REMAIN WITHIN DIMENSIONS	MATERIAL NO.: 48025-0091 DOCUMENT NO.: SD-48025-007 SHEET NO.: 1 OF 2	THIS DRAWING CONTAINS INFORMATION THAT IS PROPRIETARY TO MOLEX INCORPORATED AND SHOULD NOT BE USED WITHOUT WRITTEN PERMISSION			



MAGNETIC SCHEMATIC



LED SCHEMATIC

MAGNETIC ELECTRICAL SPECIFICATION

PARAMETER	SPECIFICATIONS		
	100 KHZ	1-125 MHz	
INSERTION LOSS	1.2 dB MAX	0.2+0.002*f ^{1.4} dB MAX	
		10-20*LOG ₁₀ (f/60 MHz) dB MIN.	10 dB MIN.
RETURN LOSS (Z OUT=100 OHM±15%)	16 dB MIN	30-60 MHz	60-80 MHz
		10-20*LOG ₁₀ (f/60 MHz) dB MIN.	10 dB MIN.
INDUCTANCE (OCL) (MEDIA SIDE, 0° +70°C)	350 uH MIN	MEASURED AT 100 KHZ, 100 mVRMS AND WITH 8 mA DC BIAS	
CROSSTALK, ADJACENT CHANNELS	1 MHz	10-100 MHz	
	50 dB MIN	50-17*LOG ₁₀ (f/10) dB MIN.	
COMMON MODE REJECTION RATIO	2 MHz	30-200 MHz	
	50 dB MIN	15-20*LOG ₁₀ (f/200) dB MIN.	
DC RESISTANCE 1/2 WINDING	0.60 OHMS MAX.		
DC RESISTANCE IMBALANCE	±0.065 OHMS MAX (CENTER TAP SYMMETRY)		
HI-POT ISOLATION	1500 VRMS AC		

NOTE: f IS FREQUENCY IN MHZ.

LED ELECTRICAL SPECIFICATION

PARAMETER	YELLOW (TYP.)	GREEN (TYP.)	UNITS	TEST CONDITIONS
POWER DISSIPATION	105	105	mW	
REVERSE VOLTAGE	5	5	V	
PEAK WAVELENGTH	590	565	nm	I _F =20mA
FORWARD VOLTAGE	2.1 MAX.=2.5	2.2 MAX.=2.5	V	I _F =20mA

RELEASED EC NO: SH2012-0381 DRW:RL 109 2012/05/11 CHKD: APPR:RZHANG 2012/06/22 REV	QUALITY SYMBOLS	GENERAL TOLERANCES (UNLESS SPECIFIED)	DIMENSION STYLE	SCALE	DESIGN UNITS	THIRD ANGLE PROJECTION	
	▽=0 ▽=0	mm INCH	MM ONLY	1:1	METRIC		
		4 PLACES ± --- ± ---	DRAWN BY DATE	LINDA 2006/08/08	TITLE		
		3 PLACES ± --- ± ---	CHECKED BY DATE	ALLEN LIN 2006/08/10	MODULAR JACK WITH INTEGRATED MAGNETICS WITH LED		
	2 PLACES ± 0.25 ± ---	APPROVED BY DATE	ERICK LAN 2006/08/10	molex			
	1 PLACE ± 0.25 ± ---			MATERIAL NO.	DOCUMENT NO.	SHEET NO.	
	0 PLACE ± ±			48025-0091	SD-48025-007	2 OF 2	
	ANGULAR ± 3 °	DRAFT WHERE APPLICABLE MUST REMAIN WITHIN DIMENSIONS	SIZE	THIS DRAWING CONTAINS INFORMATION THAT IS PROPRIETARY TO MOLEX INCORPORATED AND SHOULD NOT BE USED WITHOUT WRITTEN PERMISSION			
			A3				