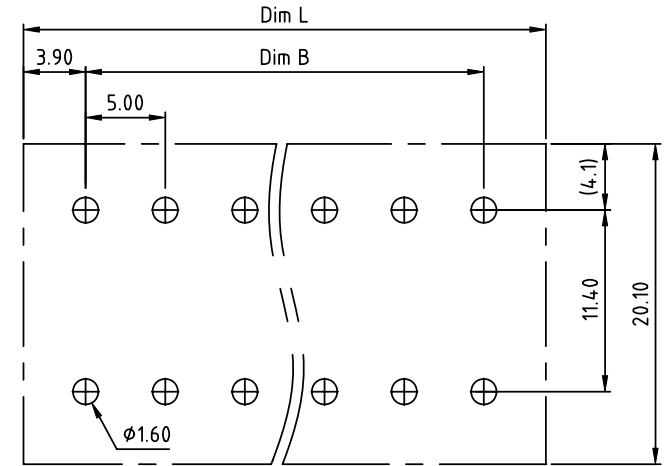
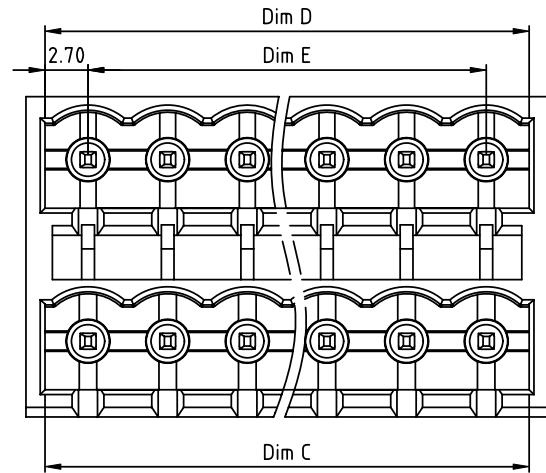
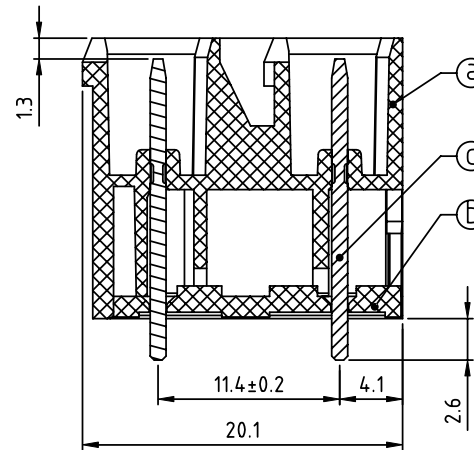
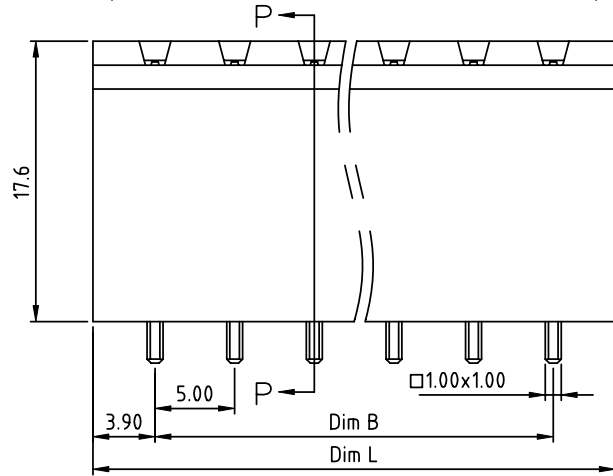


PRODUCT NUMBER	PITCH
KExx71x200J0G	5.00 mm



RECOMMENDED P.C.B LAYOUT
TOP VIEW



SECTION P-P

- Material:
- Item (a) Terminal(housing): Thermoplastic (UL94V-0)
 - Item (b) Terminal(cover): Thermoplastic (UL94V-0)
 - Item (c) Pin: Copper Tin plated
- Electrical: cULus
- Voltage rating: 300V
 - Current rating: 12A
 - Withstanding Voltage: 1.6KV
 - Operating temperature: -40°C to +115°C
 - Soldering temperature: 260°C±5°C/5 Sec
 - Safety Approval:

PART NO.: KE xx 7 1 x 2 00J0 G

N = Number of poles
 Dim C=(N/2-1)x5.0+5.4
 Dim L=N/2x5.0+2.8
 Dim B=(N/2-1)x5.0
 Dim D=(N/2-1)x5.0+5.4
 Dim E=(N/2-1)x5.0

Solid block	0	Color	Black (RAL9005)	RoHS compliant
No. of poles	2		Red (RAL3001/D)	(lead<4%)
04 2x2poles	3		Orange(RAL2011/P)	In copper Alloy
06 2x3poles	4		Yellow(RAL1018/A)	
...	...		Green(RAL6018/T)	
48 2x24poles	6		Blue (RAL5015/A)	
	8		Grey(RAL7035/D)	
	9		White(RAL1102)	
	C		Green(RAL6018/U)	

Poles	Dim L	Dim B	Dim C	Dim D	Dim E
2x2P-2x6P	±0.15	±0.15	+0.05 -0.05	+0.05 -0.05	±0.15
2x7P-2x12P	±0.25	±0.25	+0.10 -0.05	+0.10 -0.05	±0.25
2x13P-2x18P	±0.35	±0.35	+0.20 -0.05	+0.20 -0.05	±0.35
2x19P-2x24P	±0.40	±0.40	+0.25 -0.10	+0.25 -0.10	±0.40

mat'l. code		surface ASME Y14.5	tolerance ASME Y14.5	projection	product family
ltr	ecn no	dr	date		TERMINAL BLOCK
				tolerances unless otherwise specified	title
				angles ϕ E	TERMINAL BLOCK
				X±0.5	PLUGGABLE SOCKET,CLOSE VERTICAL
				X.X±0.3	scale
				X'±1"	X.XX±0.1
				dr	EVIN ZHONG 042414
				enrg	EVIN ZHONG 042414
				chr	HANKE FENG 042414
				appd	SHI JUN 042414
sheet index		revision	A		dwg no
		sheet	1		KExx71x200J0G
					sheet 1 of 1
					size
					A4
					type
					CUSTOMER Drawing