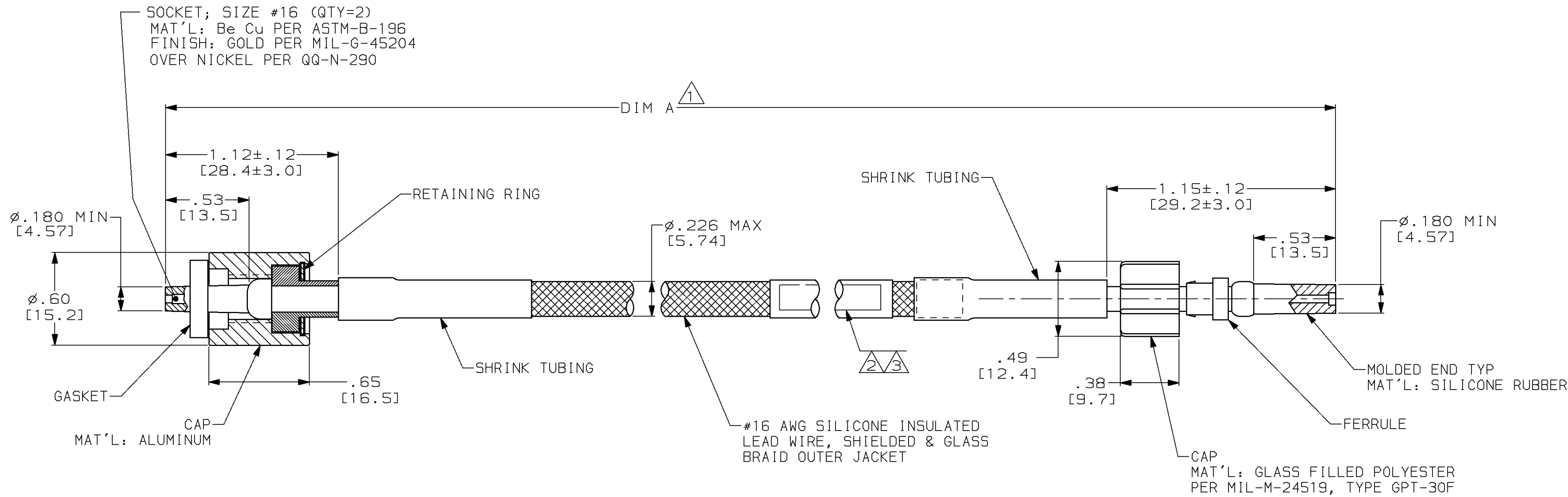


THIS DRAWING IS UNPUBLISHED. RELEASED FOR PUBLICATION  
 BY AMP INCORPORATED. ALL RIGHTS RESERVED.

LOC	DIST	REVISIONS			
P	LTR	DESCRIPTION	DATE	DWN	APVD
DF	SO	G	REV & REDRAWN; 0600-6242-97	4-97	CT SG



- 1 TOLERANCE OF LEAD LENGTH:  
UP TO 24 INCHES [609.6] = ±.12 [±3.0]  
24 INCHES [609.6] & UP = ±1%
- 2 AMP INFORMATION MARKED PER MIL-STD-130.
- 3 CUSTOMER MARKING MARKED PER MIL-STD-130 OPPOSITE AMP INFO ON -1 ONLY.
- 4. TO MATE WITH AMP LGH-1/2 RECEPTACLE WITH .53 [13.5] BARREL DEPTH.

OBSOLETE	-	24.00 [609.6]	863330-2
	3A2P2	18.00 [457.2]	863330-1
CUSTOMER MARKING	DIM A 1		PART NO.

THIS DRAWING IS A CONTROLLED DOCUMENT.		DWN C.C. THOMAS 4-21-97	AMP Incorporated Harrisburg, PA 17105-3608	
DIMENSIONS: INCHES [mm]		CHK S. GLATFELTER 5-5-97	NAME LEAD ASSY, DBL END, RFI SHIELDED, LGH-1/2	
TOLERANCES UNLESS OTHERWISE SPECIFIED:		APVD S. GLATFELTER 5-5-97	RESTRICTED TO	
0 PLC ±-		PRODUCT SPEC	SIZE	CAGE CODE
1 PLC ±-		APPLICATION SPEC	A2	00779
2 PLC ±.02 [0.5]		WEIGHT	DRAWING NO C-863330	
3 PLC ±.005 [0.13]			SCALE	SHEET
4 PLC ±-			2:1	1 OF 1
ANGLES ±-		CUSTOMER DRAWING	REV	G
FINISH -				