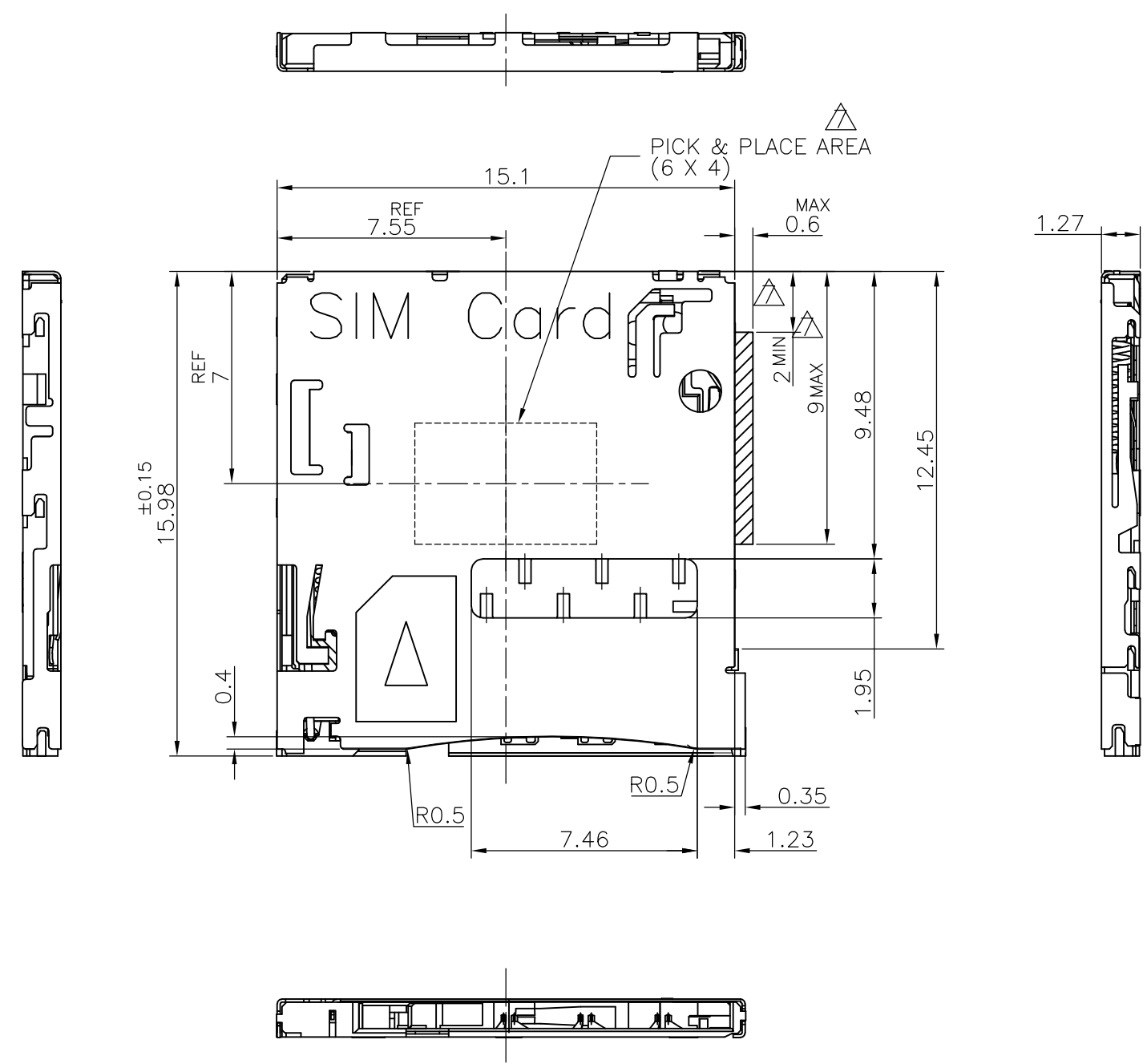


THIS DRAWING IS UNPUBLISHED. RELEASED FOR PUBLICATION JUL ,2013.
 © COPYRIGHT 2013 By Tyco Electronics Japan G.K. ALL RIGHTS RESERVED.

LOC	DIST	REVISIONS					
		P	LTR	DESCRIPTION	DATE	DWN	APVD
J	/		B	REVISED	18NOV2015	M.T	K.K



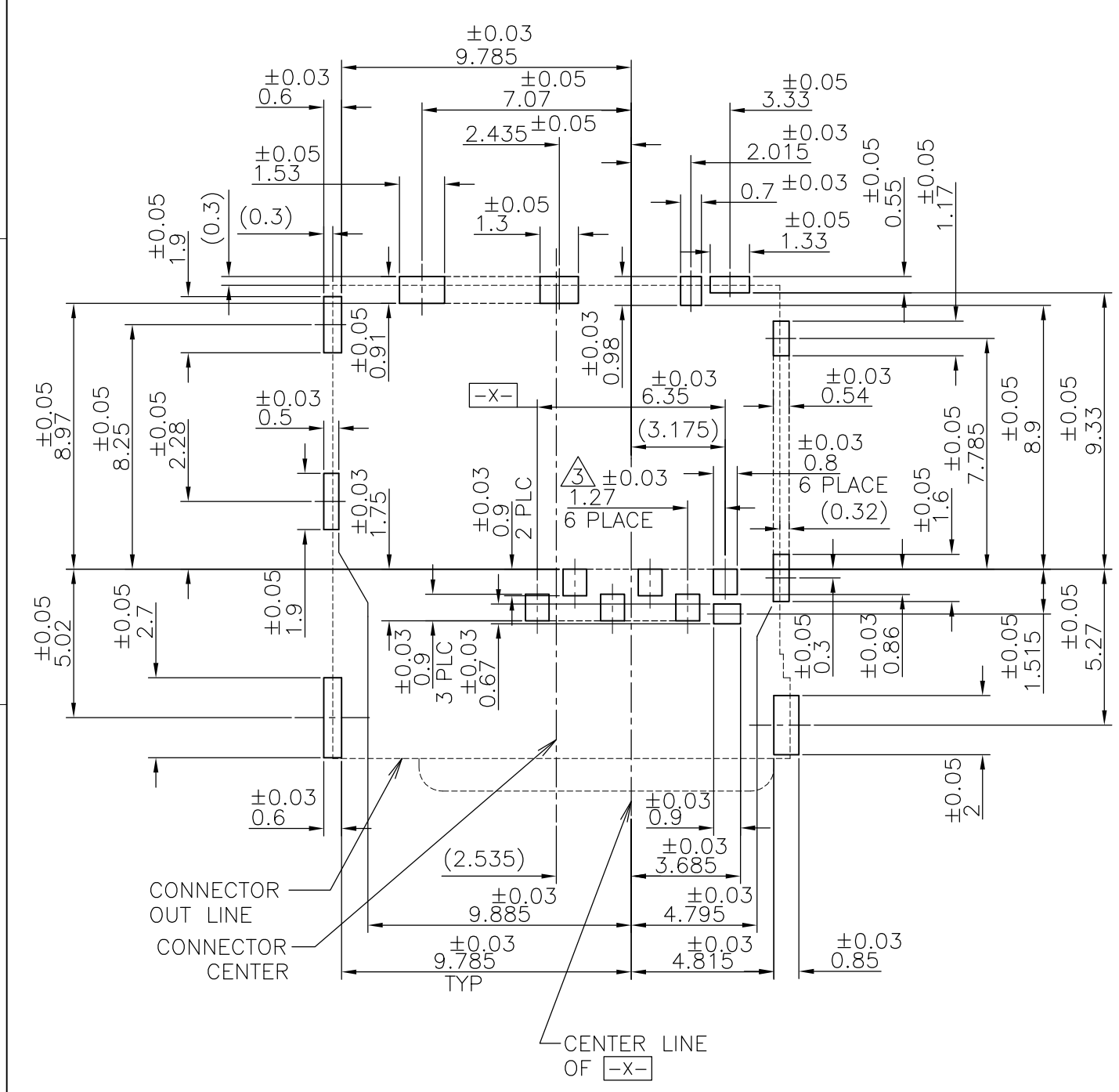
- 1. MATERIAL HOUSING,SLIDER : THERMOPLASTIC RESIN
 UL94V-0, COLOR;BLACK
 CONTACT : COPPER ALLOY
 SHELL : STAINLESS STEEL
 COIL : SWP
 CAM ROD : STAINLESS STEEL
- △ FINISH CONTACT : Au PL AT CONTACT AREA
 Au PL AT SOLDERING AREA
 SHELL : Au PL AT SOLDERING AND SWITCH AREA
- △ NON-CUMULATIVE TOLERANCE
- 4. COPLANARITY IS 0.1MAX.
- △ CIRCUIT DRAWING OF SWITCH.
- 6. OVERALL TOLERANCE:±0.1
- △ SWITCH MOVING AREA.

△	2229333-2
FINISH	PART NUMBER

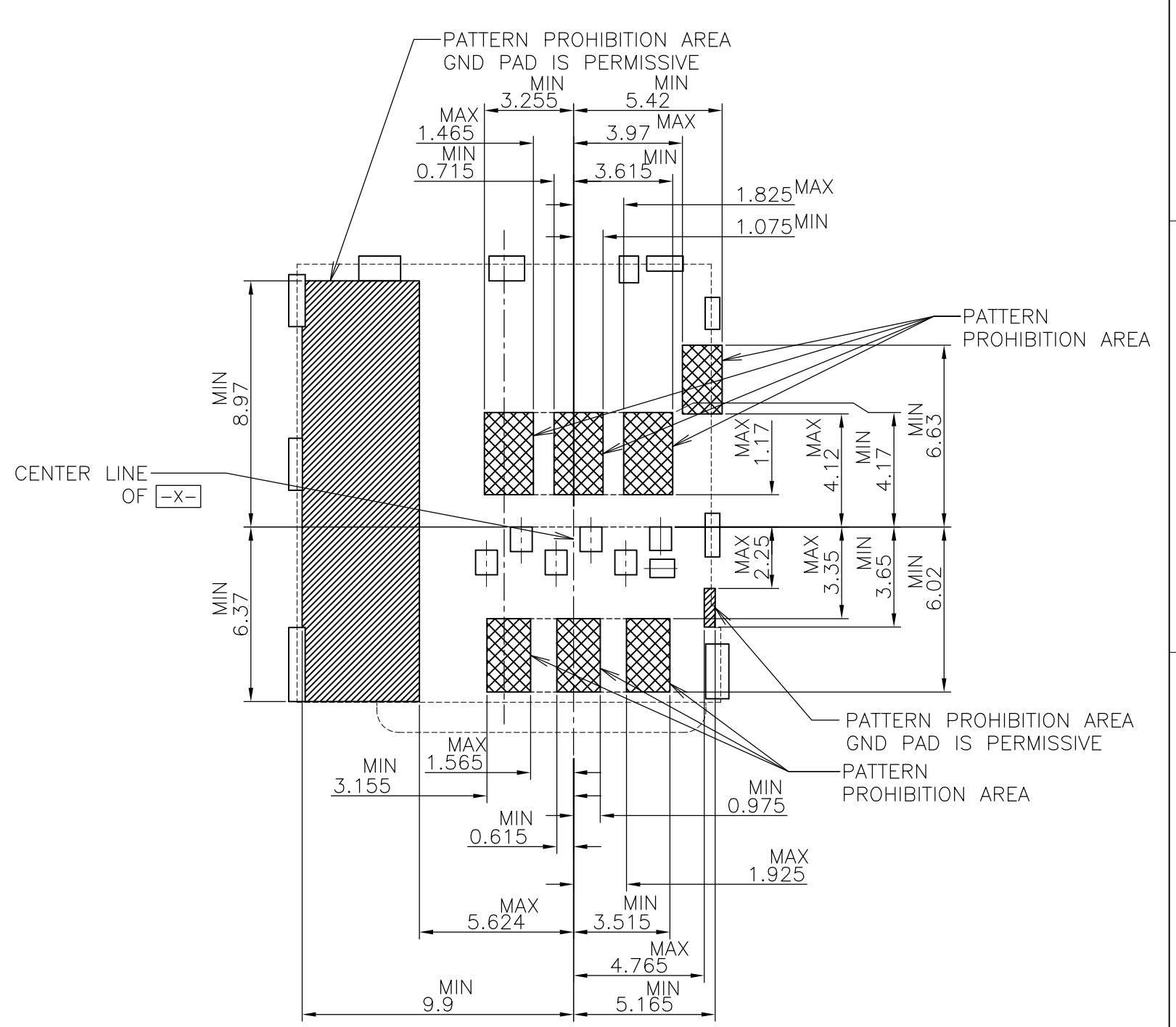
THIS DRAWING IS A CONTROLLED DOCUMENT.		DWN	J.TSUJI	12JUL2013	STE TE Connectivity		
DIMENSIONS: mm		CHK	K.KOBAYASHI	12JUL2013			
TOLERANCES UNLESS OTHERWISE SPECIFIED:		APVD	K.KOBAYASHI	12JUL2013	NAME		
0 PLC ± -		PRODUCT SPEC		MICRO SIM CONNECTOR			
1 PLC ± -		108-78956		PUSH-PUSH SMT TYPE			
2 PLC ± -		APPLICATION SPEC		SIZE	CAGE CODE	DRAWING NO	RESTRICTED TO
3 PLC ± -		MATERIAL		A3	00779	C-2229333	-
4 PLC ± -		FINISH		CUSTOMER DRAWING			SCALE
ANGLES ± -		WEIGHT		5:1			SHEET
FINISH		-		1 OF 5			REV
				B			

THIS DRAWING IS UNPUBLISHED. RELEASED FOR PUBLICATION JUL ,2013.
 © COPYRIGHT 2013 By Tyco Electronics Japan G.K. ALL RIGHTS RESERVED.

LOC	DIST	REVISIONS			
P	LTR	DESCRIPTION	DATE	DWN	APVD
J	/	SEE SHEET 1	-	-	-



PCB LAYOUT(REFERENCE)
(VIEWED FROM CONNECTOR MOUNT SIDE)



THIS DRAWING IS A CONTROLLED DOCUMENT.		DWN	-		
DIMENSIONS: mm		CHK	-		
TOLERANCES UNLESS OTHERWISE SPECIFIED:		APVD	-		
0 PLC ± -		PRODUCT SPEC	-		
1 PLC ± -		APPLICATION SPEC	-		
2 PLC ± -		WEIGHT	-		
3 PLC ± -					
4 PLC ± -		MICRO SIM CONNECTOR PUSH-PUSH SMT TYPE			
ANGLES ± -		SIZE	CAGE CODE	DRAWING NO	RESTRICTED TO
FINISH ± -		A3	00779	C-2229333	-
MATERIAL		CUSTOMER DRAWING		SCALE	SHEET
				5:1	2 OF 5
				REV	B

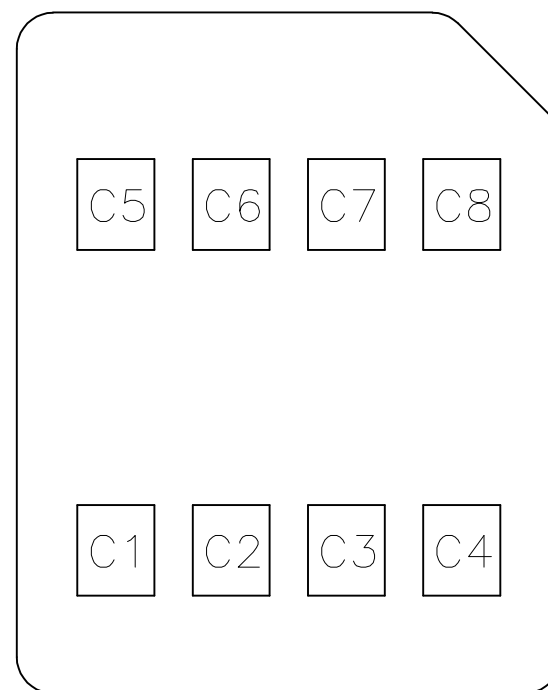
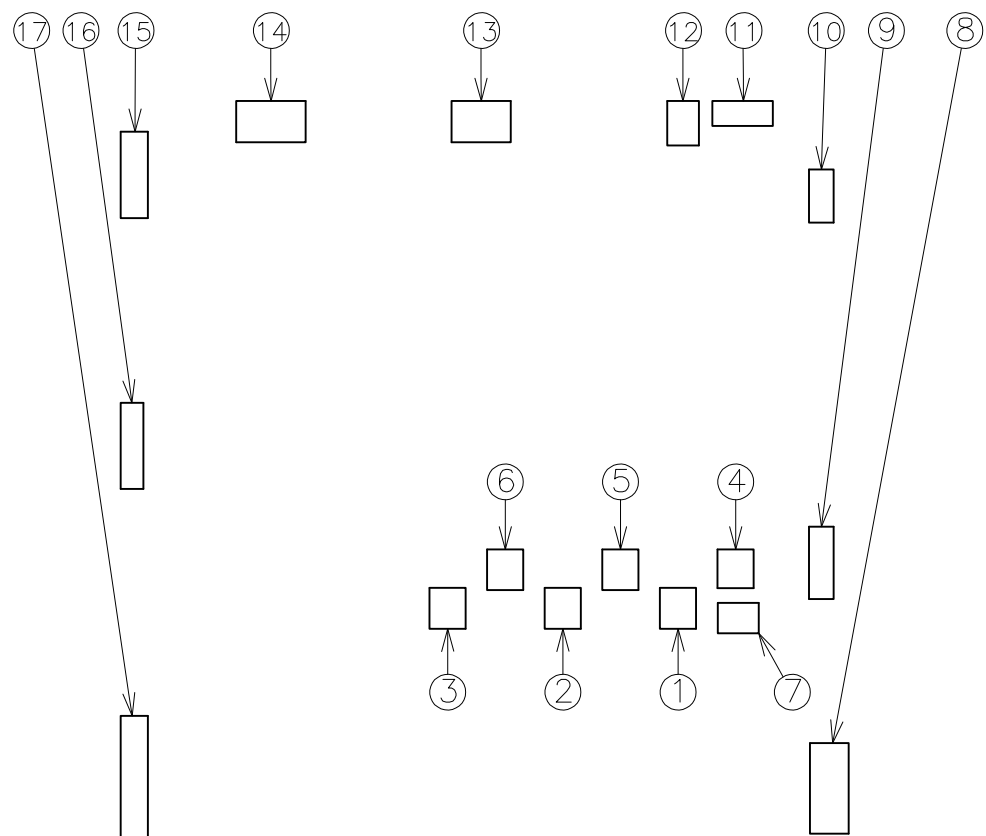
P	LTR	DESCRIPTION	DATE	DWN	APVD
-	-	SEE SHEET 1	-	-	-

Connector Pin Assignment

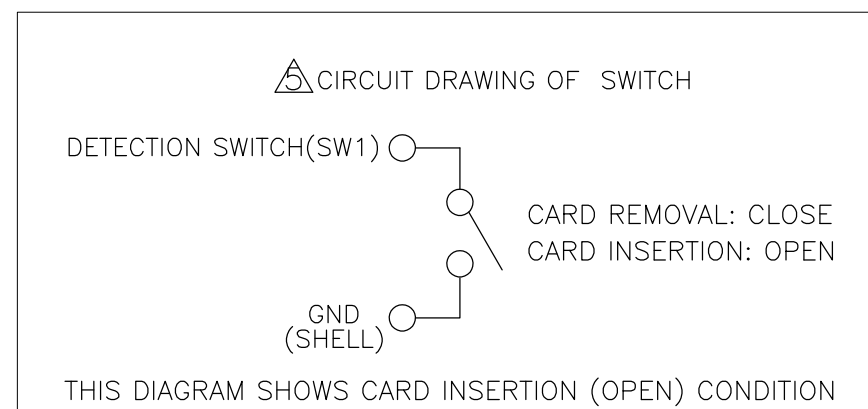
No.	Pin Name	Description
①	C1	Vcc of SIM
②	C2	RST of SIM
③	C3	CLK of SIM
④	C5	GND of SIM
⑤	C6	Vpp of SIM
⑥	C7	I/O of SIM
⑦	SW	Detection Switch
⑧~⑰	GND	Shell Ground

SIM Card Pin Assignment

Pin No.	Name
C1	Vcc
C2	RST
C3	CLK
C4	Reserved
C5	GND
C6	Vpp
C7	I/O
C8	Reserved



SIM CARD PAD LAYOUT



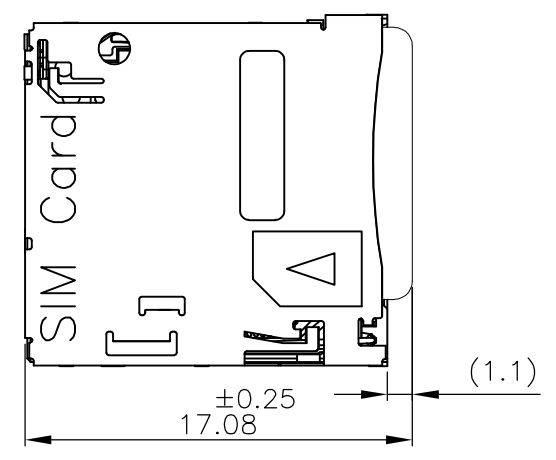
PCB LAYOUT(REFERENCE)
(VIEWED FROM CONNECTOR MOUNT SIDE)

THIS DRAWING IS A CONTROLLED DOCUMENT.		DWN	-		
DIMENSIONS: mm		CHK	-		
TOLERANCES UNLESS OTHERWISE SPECIFIED:		APVD	-		
0 PLC ± -		PRODUCT SPEC	-		
1 PLC ± -		APPLICATION SPEC	-		
2 PLC ± -		WEIGHT	-		
3 PLC ± -		<p>STE TE Connectivity</p> <p>NAME: MICRO SIM CONNECTOR PUSH-PUSH SMT TYPE</p>			
4 PLC ± -		SIZE	CAGE CODE	DRAWING NO	RESTRICTED TO
ANGLES ± -		A3	00779	C-2229333	-
FINISH		CUSTOMER DRAWING		SCALE	SHEET
				NTS	3 OF 5
				REV	B

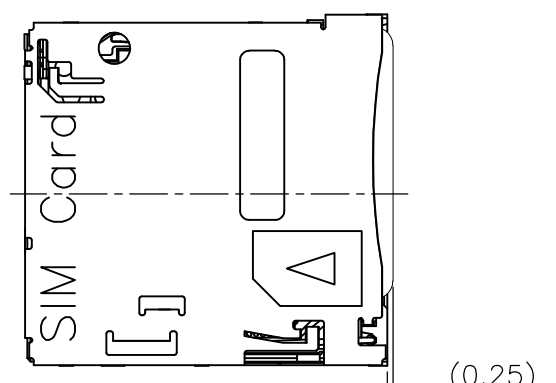
THIS DRAWING IS UNPUBLISHED. RELEASED FOR PUBLICATION JUL ,2013.
 © COPYRIGHT 2013 By Tyco Electronics Japan G.K. ALL RIGHTS RESERVED.

LOC	DIST	REVISIONS			
P	LTR	DESCRIPTION	DATE	DWN	APVD
J	/	SEE SHEET 1	-	-	-

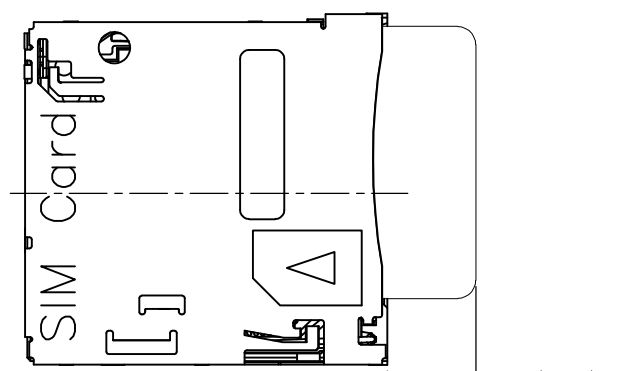
THERE IS NO MICRO SIM CARD LOCK IN THIS CONNECTOR.
 CARD STOPPER AS SHOWN BELOW MUST BE NECESSARY.



MATING

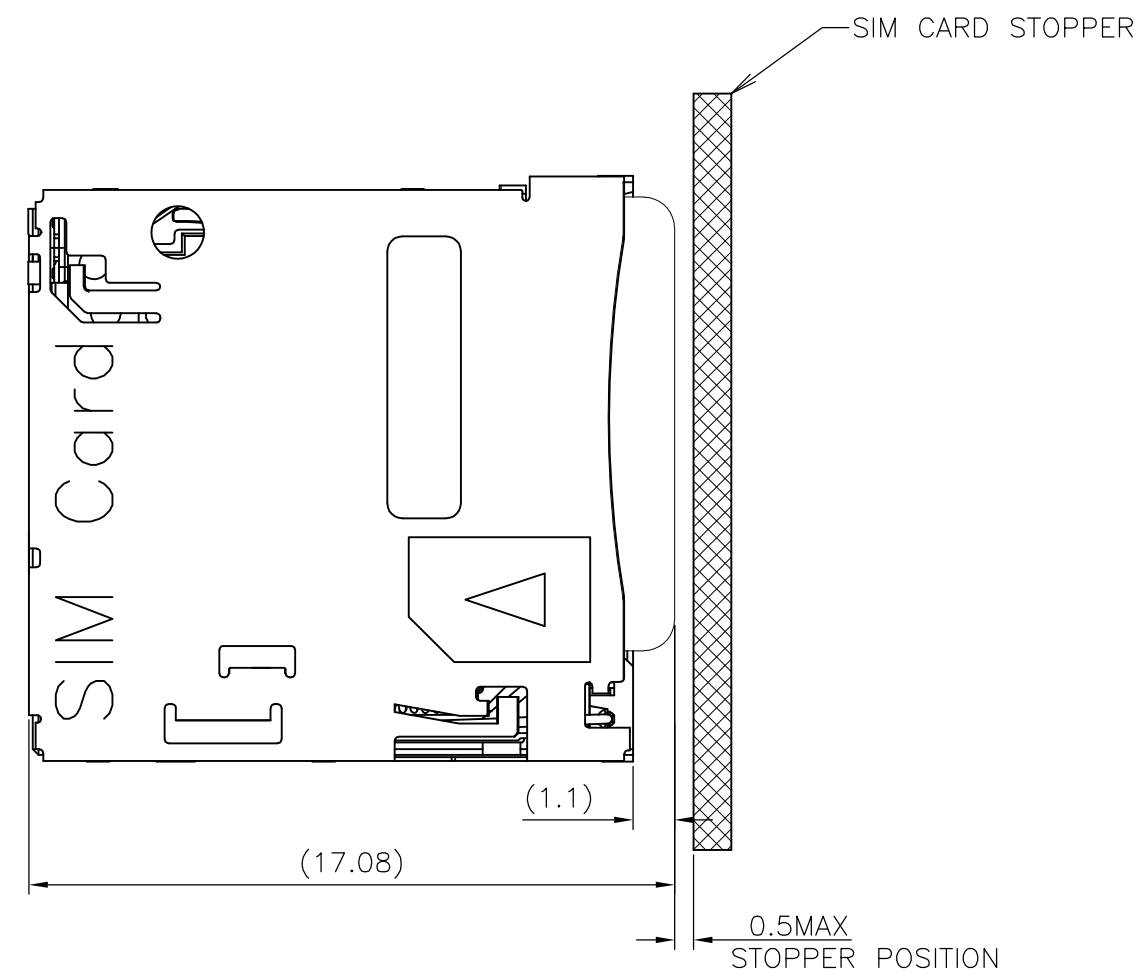


PUSH



EJECT

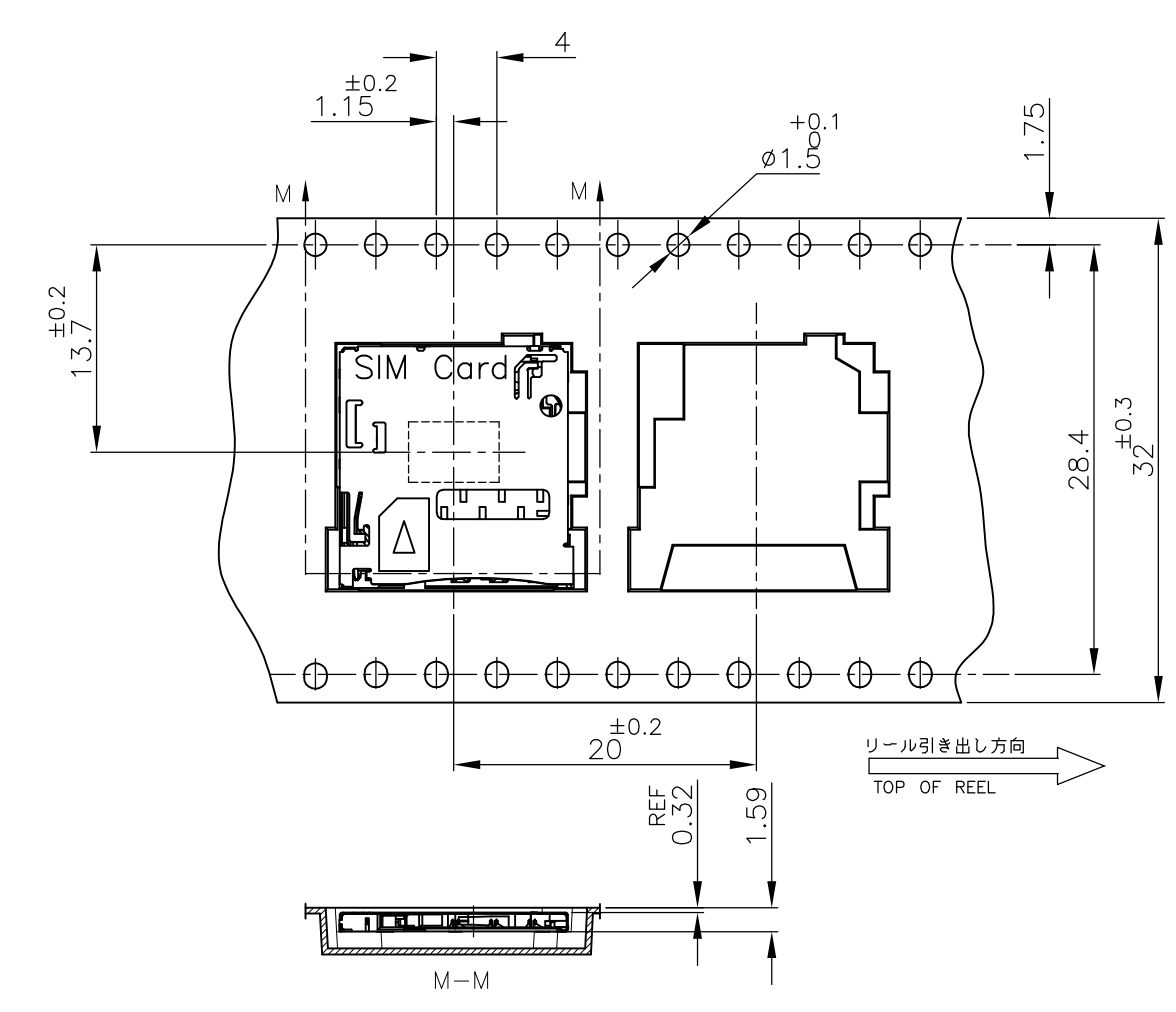
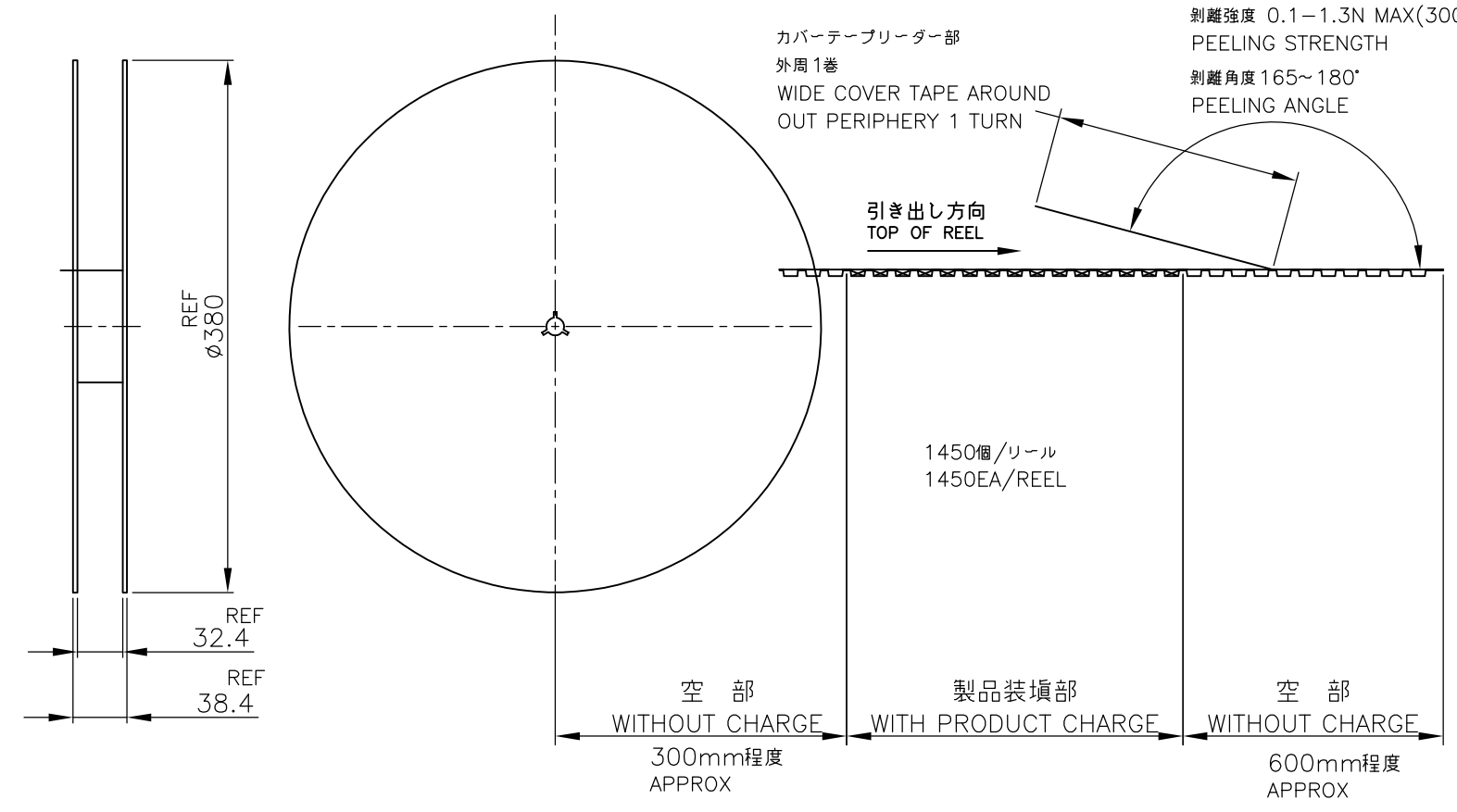
SCALE 3:1



THIS DRAWING IS A CONTROLLED DOCUMENT.		DWN	TE Connectivity		
DIMENSIONS: mm		CHK			
TOLERANCES UNLESS OTHERWISE SPECIFIED:		APVD	MICRO SIM CONNECTOR PUSH-PUSH SMT TYPE		
0 PLC ± - 1 PLC ± - 2 PLC ± - 3 PLC ± - 4 PLC ± - ANGLES ± -		PRODUCT SPEC			
MATERIAL		FINISH	RESTRICTED TO		
			A3 00779 C-2229333		
			CUSTOMER DRAWING		
			SCALE	SHEET	REV
			5:1	4 OF 5	B

THIS DRAWING IS UNPUBLISHED. RELEASED FOR PUBLICATION JUL ,2013.
 © COPYRIGHT 2013 By Tyco Electronics Japan G.K. ALL RIGHTS RESERVED.

LOC	DIST	REVISIONS			
P	LTR	DESCRIPTION	DATE	DWN	APVD
J	/	SEE SHEET 1	-	-	-



THIS DRAWING IS A CONTROLLED DOCUMENT.		DWN	TE Connectivity NAME MICRO SIM CONNECTOR PUSH-PUSH SMT TYPE				
DIMENSIONS: mm		CHK					
TOLERANCES UNLESS OTHERWISE SPECIFIED:		APVD					
0 PLC ± - 1 PLC ± - 2 PLC ± - 3 PLC ± - 4 PLC ± - ANGLES ± -		PRODUCT SPEC					
MATERIAL		FINISH	APPLICATION SPEC	SIZE	CAGE CODE	DRAWING NO	RESTRICTED TO
			WEIGHT	A3	00779	C-2229333	-
CUSTOMER DRAWING			SCALE	NTS	SHEET	5 OF 5	REV
							B