

Distributor - SAC-ASI-J-Y-N-M12FS - 1405619


Please be informed that the data shown in this PDF Document is generated from our Online Catalog. Please find the complete data in the user's documentation. Our General Terms of Use for Downloads are valid (<http://phoenixcontact.com/download>)



AS-Interface distributor with a high degree of protection, for a branch from one flat-ribbon conductor to one straight, A-coded, 2-pos. M12 socket



Key Commercial Data

Packing unit	1 STK
GTIN	 4 046356 754958
GTIN	4046356754958

Technical data

Mechanical characteristics

Number of positions	2
Connection method	AS-i penetration technique
Color	black
Tightening torque, min.	1.65 Nm
Degree of protection	IP65/IP67

Ambient conditions

Ambient temperature (operation)	-25 °C ... 75 °C (Plug / socket)
Ambient temperature (storage/transport)	-25 °C ... 85 °C
Degree of protection	IP65
	IP67

Material data

Housing material	PBT
Contact material	CuSn
Contact surface material	Au

Electrical characteristics

Rated voltage (III/3)	≤ 32 V
-----------------------	--------

Distributor - SAC-ASI-J-Y-N-M12FS - 1405619

Technical data

Electrical characteristics

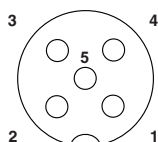
Rated current	≤ 4 A
---------------	-------

Pin assignment

Position = wire color (signal) = position (optional)	1 (M12 socket) AS-i+ 3.1 (AS-i distributors)
	2 (M12 socket) N.C.
	3 (M12 socket) AS-i- 3.2 (AS-i distributors)
	4 (M12 socket) N.C.
	5 (M12 socket) N.C.

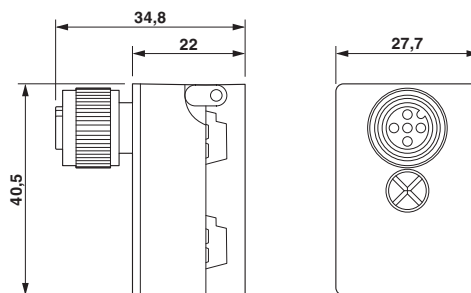
Drawings

Schematic diagram



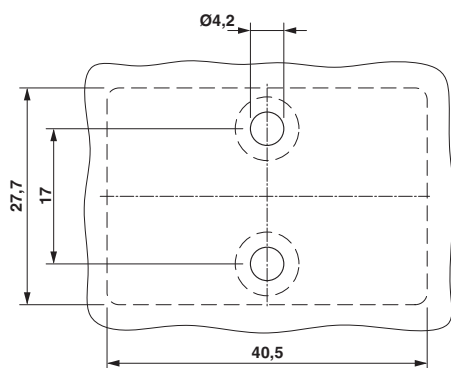
Pin assignment M12, PIN 1: AS-i +, PIN 3: AS-i -, PIN 2,4,5: Not used

Dimensional drawing

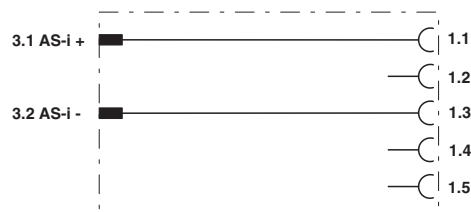


Distributor, AS-Interface

Dimensional drawing



Circuit diagram



Contact assignment of the AS-Interface distributor

Distance and position of the mounting holes

Approvals

Approvals

Approvals


EAC

Distributor - SAC-ASI-J-Y-N-M12FS - 1405619

Approvals

Ex Approvals

Approval details

EAC		EAC-Zulassung
-----	-----------------------------------------------------------------------------------	---------------

Phoenix Contact 2017 © - all rights reserved
<http://www.phoenixcontact.com>

PHOENIX CONTACT GmbH & Co. KG
Flachmarktstr. 8
32825 Blomberg
Germany
Tel. +49 5235 300
Fax +49 5235 3 41200
<http://www.phoenixcontact.com>