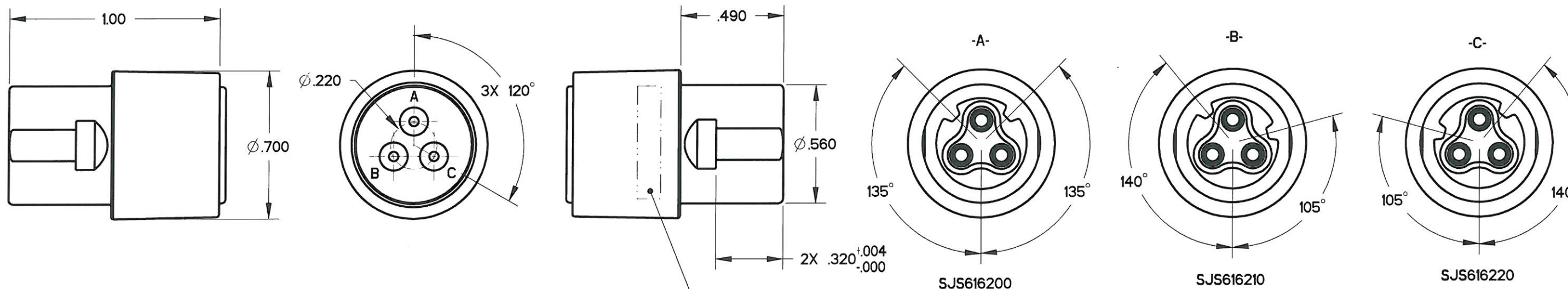
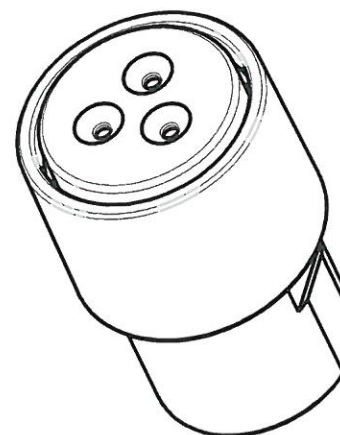


REV	ECN	APP'D
-	5663	J. TON
A	5706	J. TON
B	5796	J. TON
C	5951	JT 9/26/06
D	6589	<i>JT 10/14/10</i>

- NOTES:
- MATERIALS:
 HOUSING: PA 6/6
 CONTACT RETAINER: STAINLESS STEEL
 GROMMET: SILICONE RUBBER PER A-A-59588
 SEAL: SILICONE RUBBER PER A-A-59588
 - OPERATING RANGE:
 TEMPERATURE: -55 °C TO 95 °C
 INSULATION RESISTANCE: 5000 MEGOHMS MINIMUM
 DIELECTRIC WITHSTANDING VOLTAGE: 1500 VRMS SEA LEVEL
 600 VRMS @ 45,000 FT. ALTITUDE

 CURRENT RATING: 13 AMPS
 VIBRATION: PER EIA-364D METHOD 28, TEST CONDITION V.
 - ACCEPTS (3) M39029/58-364 PIN CONTACTS (NOT INCLUDED)
 - CONTACT RETENTION - 20 LBS EACH



PART MARKING AS FOLLOWS:

BACC63DF0316PX APCD
 YYWW SJS6162XX

DATE CODE SEE TABLE 1 FOR FULL PART NUMBERS

KEY CONFIGURATION SEE TABLE 1

APCD PART#	BACC PART#	KEY	COLOR
SJS616200	BACC63DF0316PA	A	RED
SJS616210	BACC63DF0316PB	B	WHITE
SJS616220	BACC63DF0316PC	C	BLUE

DIMENSIONS ANSI Y14.5M UNITS: INCHES Pro/E FILE	TOLERANCES .XX ±0.01 .XXX ±0.005 ANGLES ±10°	PROJECTION 	Amphenol Pcd SPECIFICATION DRAWING			TITLE IN-LINE JUNCTION TRIPLE WIRE, SIZE 16 RECEPTACLE		
			ENGR S. STONE 10/19/05			SIZE B	DWG NO. SJS616200	
ORIGINAL 	THIS DOCUMENT CONTAINS PROPRIETARY INFORMATION WHICH IS THE CONFIDENTIAL PROPERTY OF AMPHENOL PCD INC., BEVERLY, MA			CHKD 10/12/10		APP'D 10/12/10		
		CODE: 58982		SCALE: 2:1		SHEET 1 OF 1		

SJS616200

SJS616200