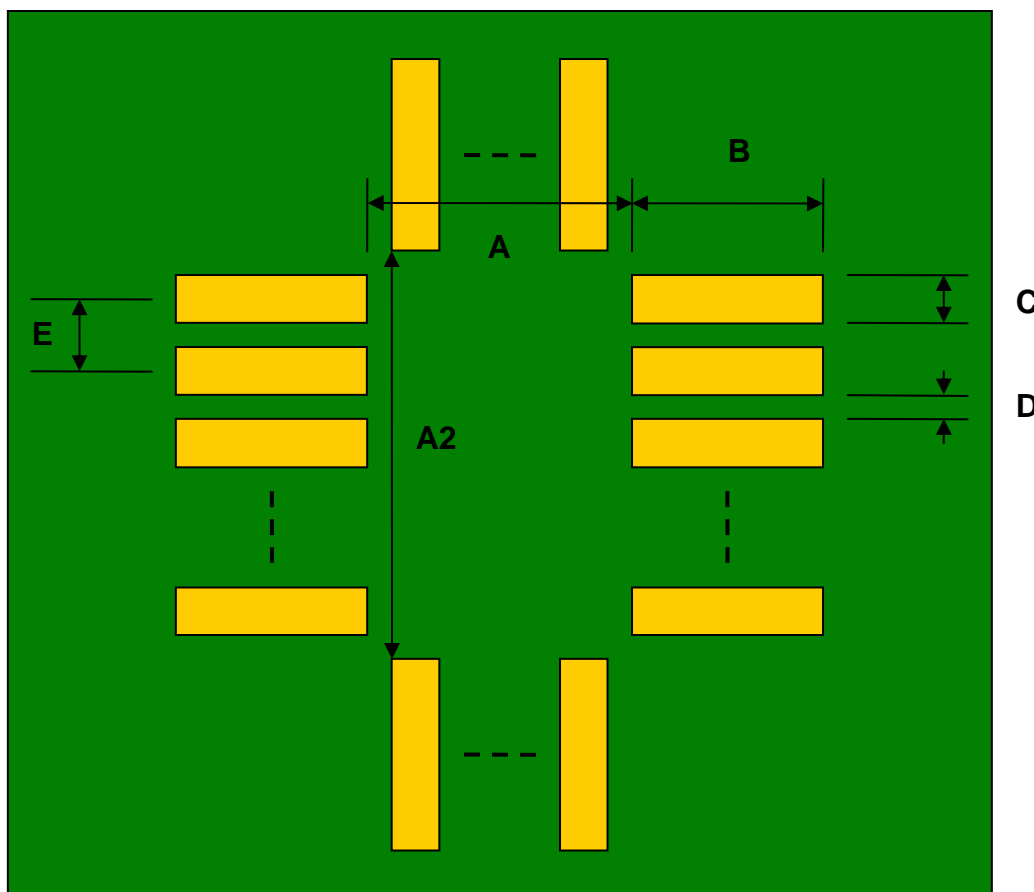


RQFP-240/QFP-240 to PGA-240 SMT Adapter (0.5 mm pitch, 32 x 32 mm body)

REF.	DIMENSIONS					
	mm			inches		
	MIN.	TYP.	MAX.	MIN.	TYP.	MAX.
A		31.00				
A2		31.00				
B		3.00				
C		0.30				
D		0.20				
E		0.50				

Top View (SMT Footprint)



(Representative drawing only - not to scale)