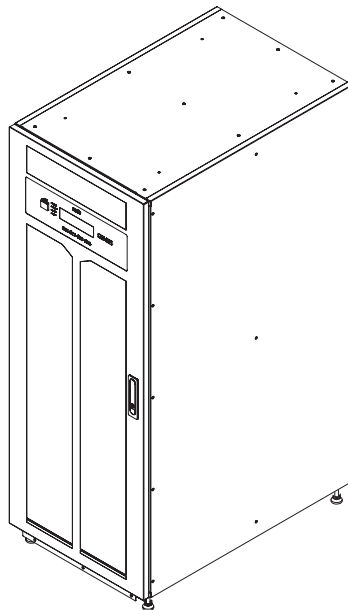


# Owner's Manual

## SmartOnline® SUT 3-Phase UPS System 20/30/40/60kVA

Models: SUT20K, SUT30K, SUT40K, SUT60K  
AG-01F9, AG-01FA, AG-01FB, AG-01FC

Input: 120/127V (Ph-N)  
208/220V (Ph-Ph), 3ph 4-Wire + PE



### PROTECT YOUR INVESTMENT!

Register your product for quicker service and ultimate peace of mind.

You could also win an ISOBAR6ULTRA surge protector—a \$100 value!

[www.tripplite.com/warranty](http://www.tripplite.com/warranty)



Manufacturing  
Excellence.

1111 W. 35th Street, Chicago, IL 60609 USA • [www.tripplite.com/support](http://www.tripplite.com/support)

Copyright © 2017 Tripp Lite. All rights reserved.

# Table of Contents

<b>1. Introduction</b>	<b>3</b>
<b>2. Important Safety Instructions</b>	<b>4</b>
2.1 Placement Warnings	4
2.2 Connection Warnings	4
2.3 Usage Warnings	4
2.4 Storage Warnings	5
2.5 Glossary of Symbols	5
2.6 Standard Compliance	6
<b>3. Installation and Wiring</b>	<b>6</b>
3.1 Important Safety Warning	6
3.2 Transportation	7
3.3 Delivery	7
3.4 Installation Environment	7
3.5 UPS Installation	8
3.6 Wiring	10
3.6.1 Precautions Prior to Wiring	10
3.6.2 Wiring Procedure	11
3.6.3 Parallel Units Wiring	14
3.7 External Battery Cabinet Connection Precautions	15
<b>4. System Components</b>	<b>17</b>
4.1 Appearance and Dimensions	17
4.2 Front View	17
4.3 Front View with Door Open	18
4.4 Control Panel	19
4.5 Rear Panel	20
<b>5. Operation Modes</b>	<b>22</b>
<b>6. Communication Interfaces</b>	<b>25</b>
<b>7. Operation</b>	<b>29</b>
7.1 Connecting the UPS with Utility AC Power	29
7.2 Turn On (Starting the Inverter)	29
7.3 Turn Off (UPS Shutdown)	29
7.4 Cold Start (Battery Start) Procedure	29
<b>8. LCD Display and Settings</b>	<b>30</b>
8.1 LCD Display Hierarchy	30
8.2 Setting Menu	32
8.3 Parallel Screen	35
8.4 Main Menu	36
8.5 Measure	36
8.6 Maintenance	37
<b>9. Optional Accessories</b>	<b>39</b>
<b>10. Maintenance</b>	<b>39</b>
<b>11. Troubleshooting</b>	<b>40</b>
<b>Appendix 1 : Technical Specifications</b>	<b>41</b>
<b>Appendix 2 : Warranty</b>	<b>43</b>
<b>Español</b>	<b>44</b>
<b>Français</b>	<b>87</b>

# 1. Introduction

Tripp Lite's SmartOnline SUT Series Uninterruptible Power Supply (UPS) is a Voltage and Frequency Independent (VFI) true on-line, double conversion 3-Phase UPS system. The UPS continuously conditions the incoming electrical power supply, eliminating power fluctuations and interruptions that will otherwise damage sensitive electronic devices and cause system downtime.

The UPS applies the latest in DSP digital control technology and an output power factor up to unity. The efficiency of the UPS reaches up to 94% in normal operation, and up to 98% in ECO mode, making it one of the most efficient UPS systems in its class. In addition to supplying clean, reliable and uninterrupted power to sensitive electronic devices at all times, the SmartOnline SUT produces greater power efficiency at a lower cost.

With four different rated power levels – 20kVA, 30kVA, 40kVA and 60kVA – and offering paralleling capability up to 4 units, the UPS offers multiple capacity options to suit the load's requirements and offers the following features:

- True on-line UPS. Highest level of UPS protection, fully regulating the incoming power supply and transferring immediately to battery in the event of an extended mains failure to continuously support critical loads.
- All digital, high frequency modulation technology, which decreases operating volume, improves reliability and prolongs service life.
- Wide AC input voltage range minimizes frequent transfer from normal operation to battery mode, saving battery consumption and prolonging battery life.
- High efficiency – lower losses reduce cooling costs and extend system lifespan.
- Unity output power factor – more actual power allows more equipment to be supported.
- Programmable LCD allows users to conveniently set parameters for the UPS system; key operating conditions are visible via LCD for accurate, clear monitoring.
- Serial, USB and volt-free contact communication as standard; SNMP and MODBUS options for optimum configurability. Monitoring and management of the UPS via Tripp Lite's free PowerAlert® power management software. Download at [www.tripplite.com/poweralert](http://www.tripplite.com/poweralert).
- Automatic fan detection indicates whether fans are operating normally; multi-stage fan speed control improves their reliability and efficiency, reduces operating noise and prolongs the service life of the fans.
- Both boost and float charge are provided. The charge current is adjustable from 1A to 20A. Charging mode is linked to charging current, maintaining the batteries at full charge capacity and extending battery life (float charge voltage: 163.2V DC; boost charge voltage: 168V DC).

The SmartOnline SUT UPS is ideally designed for protecting critical electrical equipment for:

- Data centers
- Telecommunications
- Computer network systems
- Medical treatment equipment
- Monitoring systems
- Light industrial
- Financial institutions

## 2. Important Safety Instructions

### SAVE THESE INSTRUCTIONS

This manual contains instructions and warnings that should be followed during the installation, operation and storage of this product. Failure to heed these instructions and warnings may affect the product warranty.

### 2.1 Placement Warnings

Install the UPS in a well-ventilated indoor area, away from excess moisture, heat, dust, flammable gas or explosives. Leave adequate space around all sides of the UPS for proper ventilation. Refer to **3.4 Installation Environment**.

### 2.2 Connection Warnings

- The UPS must be well grounded due to a possible risk of current leakage.
- It is necessary to install protective devices and 4-pole contactors when the UPS is connected to the mains and bypass source. For relevant information, refer to **3.6.1 Precautions Prior to Wiring**.
- The protective devices connecting to the UPS must be installed near the UPS and must be easily accessible for operation.

### 2.3 Usage Warnings



#### **WARNING:**

To avoid any hazardous conditions during UPS installation and/or maintenance, these tasks must be performed only by an engineer authorized by Tripp Lite. Proper startup procedures must be followed in order for warranty to be valid. Contact Tripp Lite for further information.

- This is a class-A product. In a domestic environment, this product may cause radio interference, in which case, the user is required to take adequate measures.
- Use of this equipment in life support applications where failure of this equipment can reasonably be expected to cause the failure of the life support equipment or to significantly affect its safety or effectiveness is not recommended.
- If the UPS needs to be connected to a motor load, it must be confirmed by qualified service personnel.
- The parallel UPS systems can connect with common batteries. Before paralleling batteries, please make sure the battery voltage difference between each UPS is lower than 5V DC.
- The external vents and openings in the UPS are provided for ventilation. To ensure reliable operation of the UPS and to protect the UPS from overheating, these vents and openings must not be blocked or covered. Do not insert any object into the vents and openings that may hinder ventilation.
- In a low temperature environment (below 32°F/0°C), you must allow the UPS to adjust to room temperature for at least one hour before using to avoid moisture condensing inside the UPS.
- Do not place beverage containers or other liquids on the UPS, battery cabinet or any other accessory associated with the UPS.
- The risk of dangerous high voltage is possible when the batteries are still connected to the UPS even though the UPS is disconnected from the mains. Do not forget to disconnect battery cables to completely cut off the battery source. For more information about battery maintenance, refer to **4.3 Front View with Door Open**.
- All maintenance services must be performed by qualified service personnel. To avoid risk of high-voltage electrical shock, do not open or remove the UPS cover.
- Do not open or mutilate the battery or batteries. The released electrolyte is harmful to the skin and eyes and may be toxic.
- Do not dispose of the battery or batteries in a fire. The batteries may explode.
- The batteries contain chemical substances that may jeopardize or pollute our environment. Please contact the supplier shown on the batteries to properly dispose of the batteries.
- A battery can present a risk of electric shock and high short-circuit current. The following precautions should be observed before replacement of batteries:
  1. Remove watches, rings or other metal objects.
  2. Use tools with insulated handles.
  3. Wear insulating gloves and boots.
  4. Do not lay tools or metal parts on the top of batteries.
  5. Disconnect the charging source prior to connecting or disconnecting the batteries' terminals.
- Contact qualified service personnel if either of the following events occur:
  1. Liquid is poured or splashed on the UPS.
  2. The UPS does not run normally after instructions in this Owner's Manual are carefully observed.



## 2. Important Safety Instructions

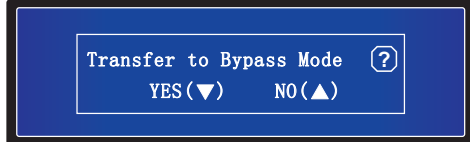
### 2.4 Storage Warnings

#### Prior to Installation














If the UPS needs to be stored prior to installation, it should be placed in a dry area. The allowable storage temperature is 5~104°F (-15~40°C).

#### After Usage

Press the **OFF** key (  ) once and the LCD will appear with the below screen. To turn off the UPS, press the **DOWN** key (  ). Make sure the UPS is in bypass mode, disconnect the UPS from the utility power, open the internal battery fuse holders (refer to **4.3 Front View with Door Open**), remove all equipment from the UPS and store the UPS in a dry and well-ventilated area at a temperature between 5~104°F (-15~40°C). Idle batteries must be fully recharged approximately every three months if the UPS needs to be stored for an extended period of time. The charging time must not be less than 24 hours each time.



### 2.5 Glossary of Symbols

No.	Symbol	Description
1	 <b>NORMAL</b>	On-line mode LED indicator: green
2	 <b>BATTERY</b>	Battery mode LED indicator: yellow
3	 <b>BYPASS</b>	Bypass mode LED indicator: yellow
4	 <b>FAULT</b>	Fault LED indicator: red
5	 <b>ON</b>	ON key
6	 <b>OFF</b>	OFF key
7	 <b>ESC</b>	Goes back to previous screen or cancels current selection
8	 <b>▼</b>	Moves down/Decreases number
9	 <b>▲</b>	Moves up/Increases number
10	 <b>←</b>	Confirms selection
11	 <b>EPO</b>	EPO key
12	<b>R</b>	R phase of AC input/UPS output
13	<b>S</b>	S phase of AC input/UPS output
14	<b>T</b>	T phase of AC input/UPS output
15	<b>N</b>	Input neutral line/Output neutral line/Battery neutral line
16		For UPS grounding
17		For critical load grounding/For external battery cabinet grounding
18	<b>+</b>	Positive battery terminal
19	<b>-</b>	Negative battery terminal

## 2. Important Safety Instructions

### 2.6 Standard Compliance

This product meets the following safety standards and electromagnetic compatibility (EMC) inspection standards:

- UL 1778
- CSA C22.2 No. 107.3
- FCC Part 15 Class A (EMC)
- GB17626-2 / IEC 61000-4-2 (ESD) Level 4
- GB17626-3 / IEC 61000-4-3 (Radiated Field) Level 3
- GB17626-4 / IEC 61000-4-4 (EFT) Level 4
- GB17626-5 / IEC 61000-4-5 (Surge) Level 4

## 3. Installation and Wiring

### 3.1 Important Safety Warning

Read this manual thoroughly before undertaking any installation and wiring. An authorized Tripp Lite engineer must perform the start-up of the UPS and a completed start-up form must be returned to Tripp Lite in order to activate the SmartOnline SUT warranty. Please contact your local supplier or [intlservice@tripplite.com](mailto:intlservice@tripplite.com) for further details. To find your local contact, go to [www.tripplite.com/support/contacts](http://www.tripplite.com/support/contacts) and click on 'Service Centers'.

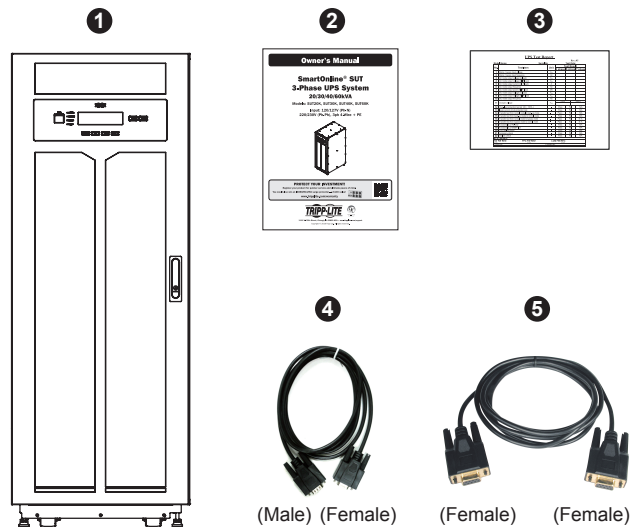
#### Package Inspection

##### External

Inspect the UPS exterior packaging. If any damage is observed, immediately contact the dealer from whom the UPS was purchased.

##### Internal

1. Check the rating label on the top of the UPS cabinet and make sure the device number and capacity match what you ordered.
2. Examine if any parts are loose or damaged.
3. The UPS package contains the items listed below. Please check if any items are missing.
4. If anything is damaged or missing, immediately contact the dealer from whom the UPS was purchased.
5. If the UPS needs to be returned, carefully repack the UPS and all of the accessories using the original packing material that came with the unit.



No.	Item	SUT20K	SUT30K	SUT40K	SUT60K
1	UPS (with internal batteries)	1 pc.	1 pc.	1 pc.	1 pc.
2	Owner's Manual	1 pc.	1 pc.	1 pc.	1 pc.
3	Test Card	1 pc.	1 pc.	1 pc.	1 pc.
4	RS-232 Cable (Male/Female)	1 pc.	1 pc.	1 pc.	1 pc.
5	Parallel Cable (Female/Female)	1 pc.	1 pc.	1 pc.	1 pc.

#### Notes:

1. The balance supports have been locked on the pallet when the UPS is shipped out of the factory. Keep them well maintained after unpacking, as it may be necessary to use them for installation.

## 3. Installation and Wiring

### 3.2 Transportation



#### WARNING

The UPS is packed on a pallet suitable for handling with a forklift. If using a forklift or other equipment to move the UPS, ensure its load bearing is sufficient to support the total packing weight of the UPS.

The UPS is fixed on the pallet with four balance supports. Do not discard the balance supports, as they may be required for installation (see section **3.5 UPS Installation**). When removing them, pay attention to the movement of the casters to avoid accidents.

The UPS cabinet may be pushed forward or backwards only; it may not be moved sideways.

If moving the UPS over long distance, use appropriate equipment such as a forklift; do not move the UPS cabinet using its attached casters over long distances, move the UPS cabinet in its original packaging until at the final destination site.

### 3.3 Delivery

Inspect the packaging materials and UPS cabinet carefully upon delivery. Do not install a damaged UPS, connect it to a battery or to the utility. The packing box of the UPS is equipped with an anti-tilt device. Confirm the device does not indicate any shock or excess tilt during transit. If the device indicates there has been excessive shock or tilt, do not install and contact your local Tripp Lite representative.

### 3.4 Installation Environment

- The UPS is designed for indoor use only. Do not place or install the UPS in an outdoor area.
- When moving the UPS to its installation site, ensure all corridors, doors, gates, elevators, floors, etc. are able to accommodate and bear the combined weight of the UPS system, any associated battery cabinets and all handling equipment. See **Appendix 1** for UPS combined weights.
- The installation site should have a dedicated AC circuit available, compatible with the UPS system's input requirements. See **Appendix 1** for input specifications.
- Ensure the installation area has sufficient space for maintenance and ventilation of the UPS system.
- Maintain the installation area's temperature below 86°F (30°C) and the humidity level below 90%. The highest operating altitude is 6500 ft. (2000 m) above sea level. Please consider the derating values when operating the UPS over 3300 ft. (1000 m); refer to Appendix 1. The optimum operating temperature for the batteries is between 68~77° (20~25°C).
- The UPS should be located in an environment with clean air and adequate ventilation to maintain the ambient temperature within the UPS operating range.
- The UPS is air-cooled with the aid of internal fans. Do not cover the ventilation openings of the UPS system.
- Install the UPS in an area in which the walls, floors and ceilings are constructed with fireproof materials. The UPS is suitable for mounting on concrete or other non-combustible surfaces only.
- Install a CO<sub>2</sub> or dry powder extinguisher in the installation area.
- Ensure the installation area is adequately sized for maintenance and ventilation:
  - o Maintain a clearance of 3 ft. (1 m) from the front of the UPS.
  - o Maintain a clearance of 1.67 ft. (50 cm) from the rear and both sides of the UPS.

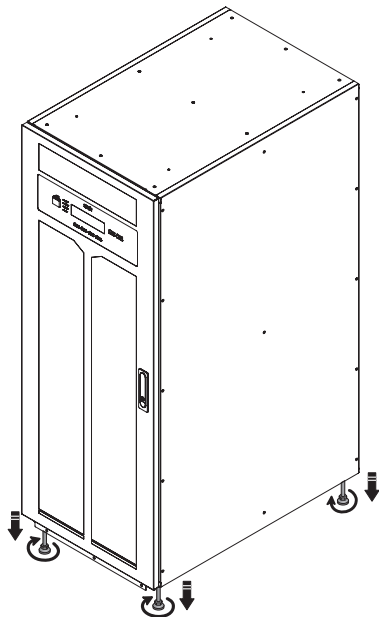
# 3. Installation and Wiring

## 3.5 UPS Installation

There are two installation methods. One is with the balance supports and the other is without the balance supports.

### Installation without the Balance Supports

After moving the UPS to its final installation area, use the levelers to stabilize the UPS cabinet on the ground.

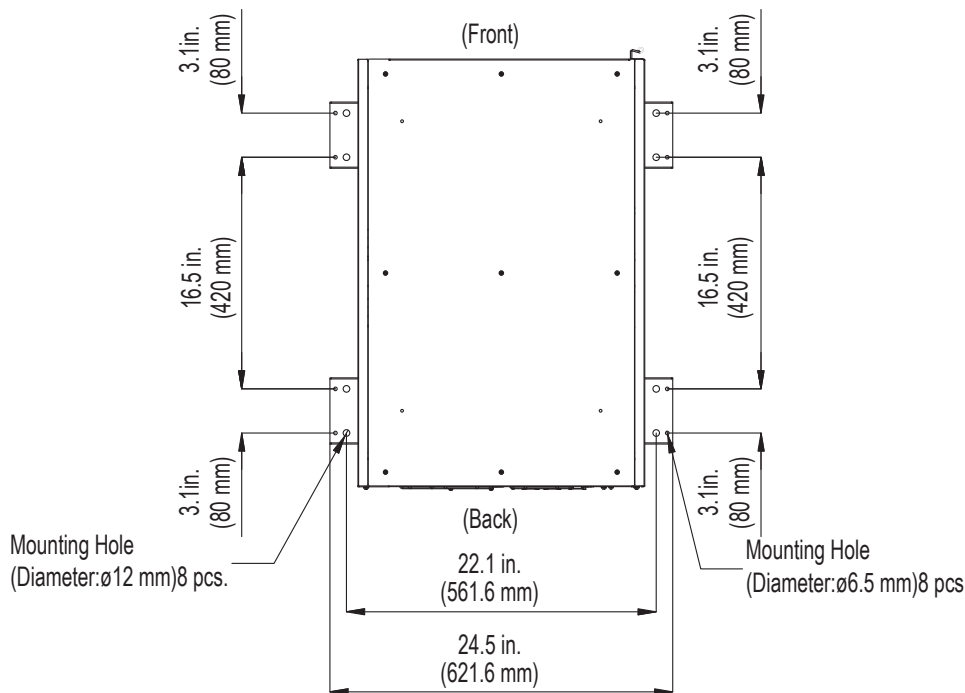


(Figure 3-1: Stabilize the UPS with Levelers)

### Installation with the Balance Supports

To reinstall balance supports removed from the UPS during the unpacking process, follow these steps:

- 1 Once the installation area has been selected, follow the mounting hole diagram below to drill holes.

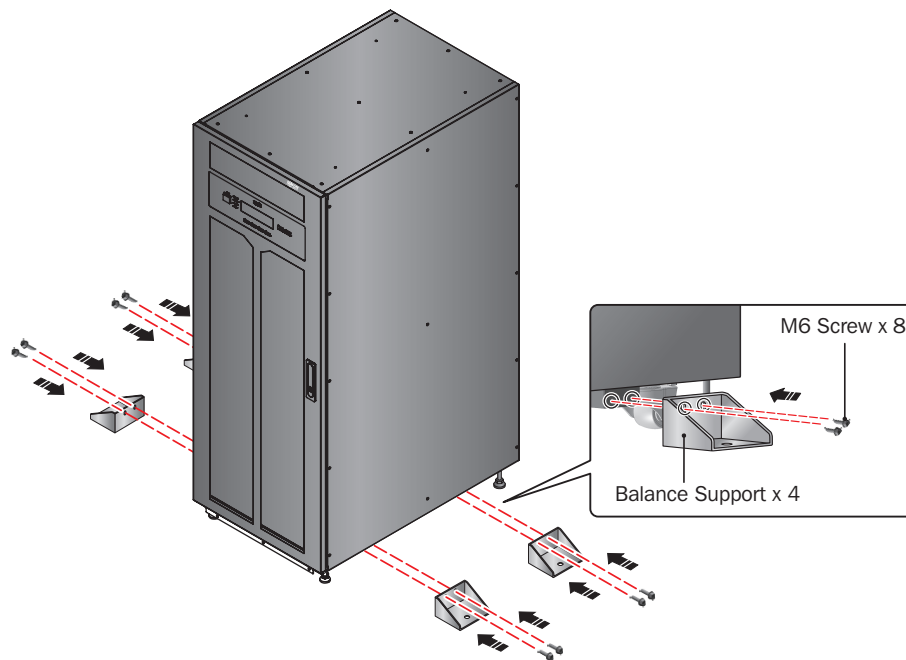


(Figure 3-2: Mounting Hole Diagram)



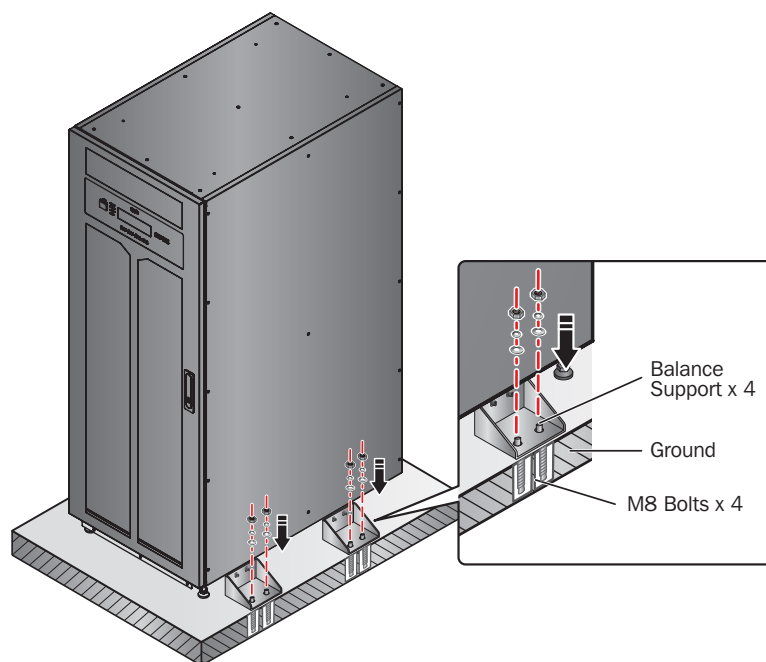
## 3. Installation and Wiring

- 2 Place the UPS over the drilled holes, use the levelers to stabilize the UPS on the ground and use the M6 screws to reinstall the balance supports (that were removed from the UPS during the unpacking process) on the UPS. Refer to the figure below.



(Figure 3-3: Balance Support Installation)

- 3 Use four user-supplied M8 bolts to fix the four balance supports on the ground to avoid UPS movement.



(Figure 3-4: Fix the Balance Supports on the Ground)

## 3. Installation and Wiring

### 3.6 Wiring

#### 3.6.1 Precautions Prior to Wiring

- The wiring must be performed by qualified professional personnel.
- Before wiring or making any electrical connection, make sure the power supplied to the input and output of the UPS is completely cut off and the internal battery connectors are disconnected.
- When connecting the UPS to the utility AC power and bypass source, protective devices and 4-pole connectors must be installed. The protective devices and 4-pole contactors must use approved components that meet safety certifications. Please refer to the following table for suggested protective devices. For the installation of the protective devices and 4-pole contactors, see *Figures 3-10~3-18*.

UPS System	Recommended Protective Device
SUT20K	D-Curve 75A circuit breaker
SUT30K	D-Curve 125A circuit breaker
SUT40K	D-Curve 150A circuit breaker
SUT60K	D-Curve 225A circuit breaker

- When connecting the critical loads to the UPS, a listed certified breaker must be installed between them. Refer to the table below

UPS System	Recommended 3-Pole Breaker
SUT20K	C-Curve 75A circuit breaker
SUT30K	C-Curve 125A circuit breaker
SUT40K	C-Curve 150A circuit breaker
SUT60K	C-Curve 225A circuit breaker

- Check that the size, diameter, phase and polarity of each cable connecting to the UPS is correct. For the specifications of input/output cables and circuit breakers, refer to **Table 3-1**.



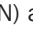



**Table 3-1: Specifications of Input/Output Cables and Circuit Breakers**

	SUT20K	SUT30K	SUT40K	SUT60K
AC Input Cable*	2 AWG (25 mm <sup>2</sup> )	1/0 AWG (50 mm <sup>2</sup> )	3/0 AWG (95 mm <sup>2</sup> )	250 kcmil (120 mm <sup>2</sup> )
Output Cable*	2 AWG (25 mm <sup>2</sup> )	1/0 AWG (50 mm <sup>2</sup> )	3/0 AWG (95 mm <sup>2</sup> )	250 kcmil (120 mm <sup>2</sup> )
Battery Input Cable*	1 AWG (35 mm <sup>2</sup> )	1/0 AWG (50 mm <sup>2</sup> )	3/0 AWG (95 mm <sup>2</sup> )	250 kcmil (120 mm <sup>2</sup> )
Tightening Torque	130 in. lb. (14.7 N·m)	130 in. lb. (14.7 N·m)	130 in. lb. (14.7 N·m)	130 in. lb. (14.7 N·m)
Input Breaker	75A (3-pole x 1)	125A (3-pole x 1)	150A (3-pole x 1)	225A (3-pole x 1)

\* Use only copper wire rated to 194°F (90°C) or higher

#### Notes:

1. In accordance with **local electrical codes**, install a suitable conduit and bushing.
2. Please refer to national and local electrical codes for acceptable non-fuse breakers and cable size.
3. Cables with PVC material and with temperature resistance up to 201°F (105°C) are suggested.
4. Make sure that the input/output cables are locked tightly.

- When connecting with the external battery cabinet, confirm the polarity. Do not reverse the polarity.
- The grounding cable of the external battery cabinet must be connected to the (  ) terminal of the battery terminal block.
- Installer should consider the maximum current and wiring gauge that may be required for future expansion of parallel configurations.
- The input of the UPS must be a Y connection, and the neutral line (N) must be connected to avoid UPS failure. Do not connect the neutral line (N) of the UPS with the ground terminal (  ).
- If there is a floating voltage between the input power's neutral (N) and the ground (  ) and you require that the VNG of the UPS should be zero, it is suggested an installation transformer be installed in front of the UPS input side and the UPS neutral (N) be connected with the ground (  ).
- The utility AC power must be three phases (R/S/T) and meet the specifications on the UPS rating label. When connecting the utility input power to the UPS, make sure it is in positive phase sequence (clockwise phase rotation).
- Connect the external battery cabinet's grounding terminal to the grounding terminal (  ) of the UPS system's battery terminal block. Do not connect the grounding terminal of the external battery cabinet to any other grounding system.
- The ground terminal (  ) of the UPS must be grounded. Use ring-type terminal for wiring.

# 3. Installation and Wiring



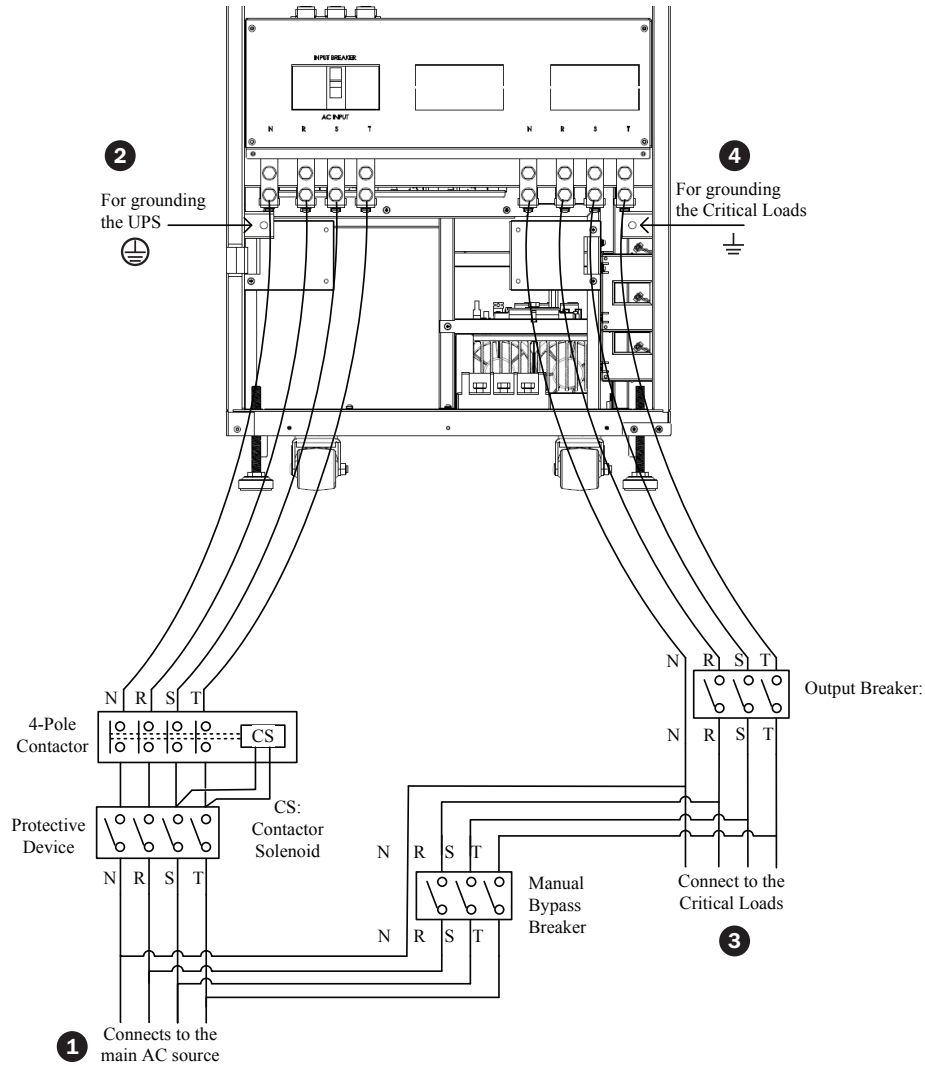
## WARNING:

1. Incorrect wiring will lead to severe electric shock and damage to the UPS.
2. The UPS will not work normally if the input power's neutral (N) is not firmly connected or is not connected to the AC Input Block's neutral (N) terminal.

### 3.6.2 Wiring Procedure

Note: Prior to wiring, first read 3.6.1 Precautions Prior to Wiring.




- 1 Remove the cover plate to access the wiring terminal block shown in Figure 3-5.



(Figure 3-5: Single Unit Wiring Diagram)

# 3. Installation and Wiring

2 Ensure the functions of the wiring terminal block shown in *Figure 3-5* are clearly understood.

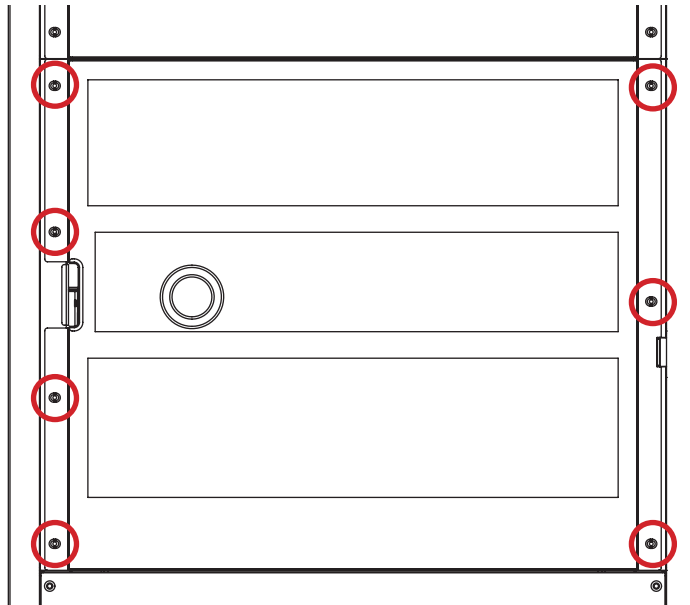
No.	Item	Function	Description
1	AC Input Terminal Block	Connects the main AC source	Includes 3-phase (R, S, T) and neutral (N) terminals
2		For the UPS grounding	Includes one grounding terminal
3	UPS Output Terminal Block	Connects the critical loads	Includes 3-phase (R, S, T) and neutral (N) terminals
4		For the critical loads' grounding	Includes one grounding terminal
5	Battery Input Terminal Block	Connects an external battery cabinet	Includes three terminals, positive (+), neutral (N) and negative (-)
6		For an external battery cabinet's grounding	Includes one grounding terminal

3 Confirm the UPS rating voltage is 120/208V AC or 127/220V AC, and the battery rating voltage is  $\pm 144V$  DC.

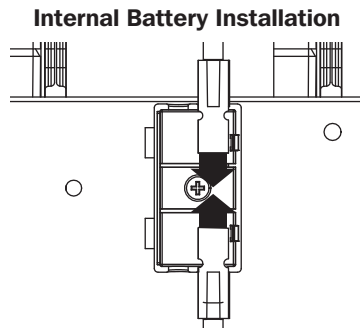
4 Confirm the input breaker is in the **OFF** position. For the position of each breaker, refer to unit's front panel.

5 Select the proper input and output cables according to the UPS capacity (refer to **Table 3-1**).

6 Open the UPS front door to unscrew and remove the panel labeled "Battery Compartment".

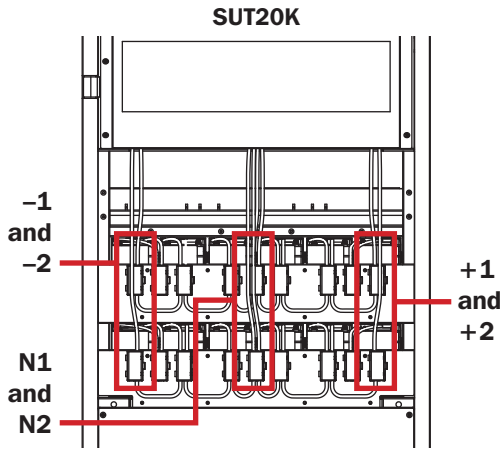


7 The UPS system is shipped with the battery cables disconnected. Remove the insulation tape covering the BAT(+) red wires and reconnect to the terminals (Figure 3-6). Refer to Figures 3-7~3-10 for each model's respective battery installation.



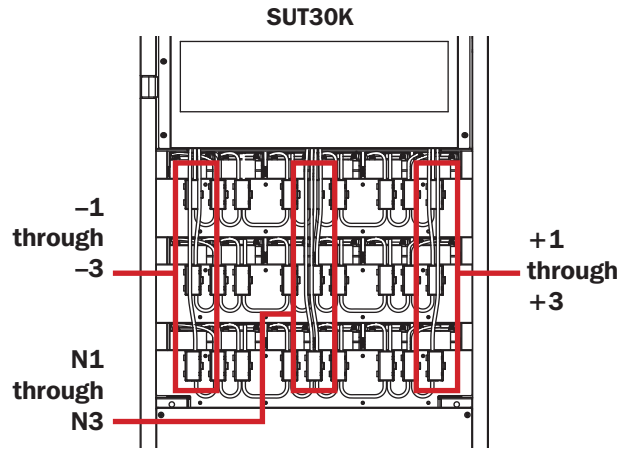
(Figure 3-6: Battery Cable Connection)

# 3. Installation and Wiring



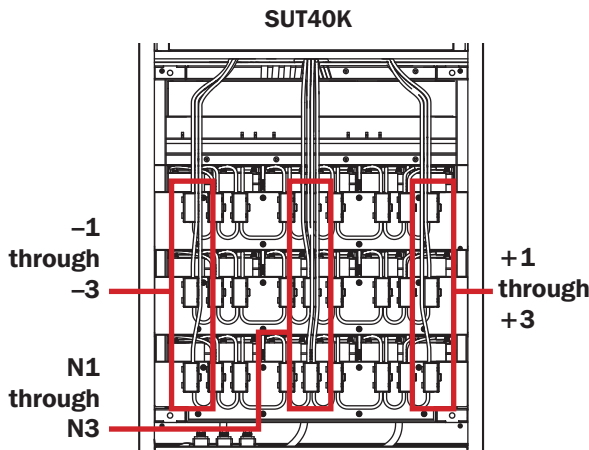
(Figure 3-7)

First connect the -1 and -2 cables on the left, then the +1 and +2 cables on the right.



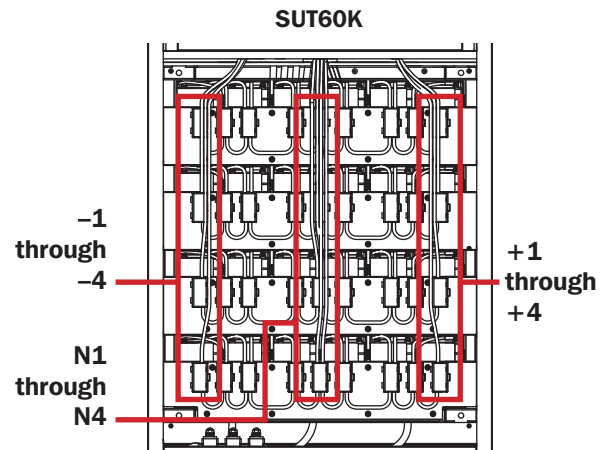
(Figure 3-8)

First connect the -1, -2 and -3 cables on the left, then the +1, +2 and +3 cables on the right.



(Figure 3-9)

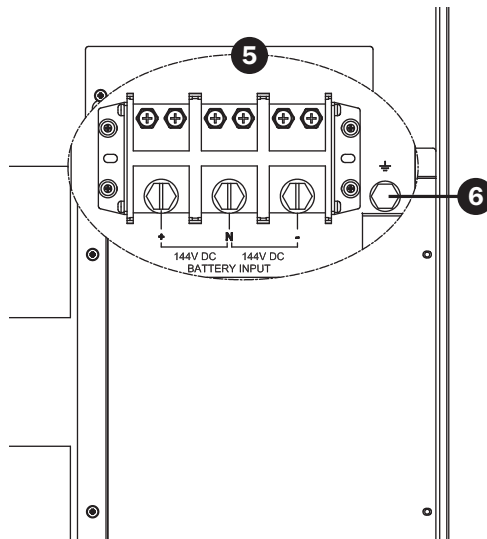
First connect the -1, -2 and -3 cables on the left, then the +1, +2 and +3 cables on the right.



(Figure 3-10)

First connect the -1, -2, -3 and -4 cables on the left, then the +1, +2, +3 and +4 cables on the right.

- 8 Connect optional external battery to the external battery cabinet terminal block located at the lower right of the unit (refer to Figure 3-11).



(Figure 3-11: Connect an external battery [optional] to the external battery cabinet terminal block.)

# 3. Installation and Wiring

## 3.6.3 Parallel Units Wiring

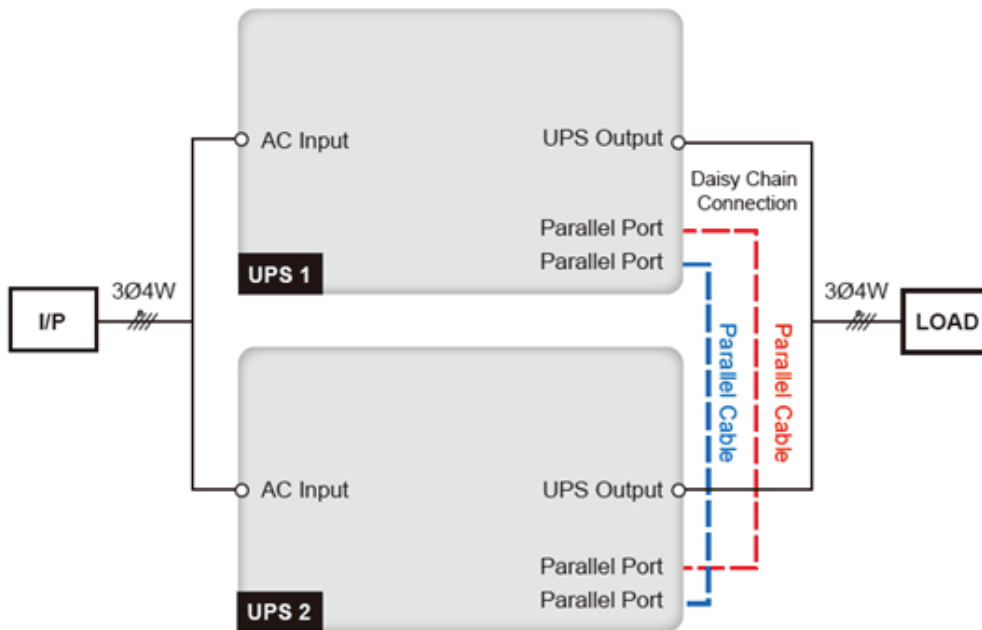
**Note:** Prior to wiring, first read 3.6.1 Precautions Prior to Wiring.

- 1 Follow steps 1 ~ 5 in section 3.6.2 Wiring Procedure.
- 2 The UPS system is shipped with the battery cables disconnected. Locate the battery connection cables behind the labeled connector door in the cabinet. Connect the battery cabinet cables to the wiring terminal block and ensure the UPS system is properly grounded (refer to Figures 3-6~3-10).
- 3 Use the provided parallel cable to connect the parallel ports on the parallel units. See Figure 6-1 for parallel port location.
- 4 Refer to 6. Communication Interfaces to set the parallel switch in the ON or OFF position.
- 5 Follow steps 7 ~ 8 in section 3.6.2 Wiring Procedure.



### WARNING:

1. When UPS systems are paralleled, the length of each unit's input cables/output cables must be equal. This ensures that the parallel UPS systems can equally share the equipment loads in bypass mode.
2. Only UPS systems with the same capacity, voltage and frequency can be paralleled; otherwise, parallel functions will fail.
3. Before start-up of parallel units, qualified service personnel should set ID (0, 1, 2 or 3) through the LCD. Otherwise, UPS systems cannot be started. If the symbol '!' appears after an ID number, it indicates there is a conflict between ID numbers.



(Figure 3-12: Parallel Units Wiring Diagram)

## 3. Installation and Wiring

### 3.7 External Battery Cabinet Connection Precautions



#### WARNING:

1. Connect loads to the UPS only after the batteries are fully charged. This guarantees that the UPS can provide sufficient backup power to the loads connected when a power failure occurs.
2. When using both the UPS internal batteries and external batteries, ensure the voltage difference is <5V DC.

#### Battery

1. Charge Voltage
  - 1) Float voltage:  $\pm 163.2V$  DC (default)
  - 2) Boost voltage:  $\pm 168V$  DC (default)
2. Charge Current
  - 1) Minimum: SUT20K/SUT30K/SUT40K/SUT60K → 1A
  - 2) Maximum: SUT20K → 10A  
SUT30K/SUT40K/SUT60K → 20A
  - 3) Default: SUT20K → 5A  
SUT30K → 7.5A  
SUT40K → 7.5A  
SUT60K → 10A
3. Low Battery Shutdown: 120V DC (default: 120V DC)
4. Number of Batteries: SUT20K → 48 pcs.  
SUT30K → 72 pcs.  
SUT40K → 72 pcs.  
SUT60K → 96 pcs.

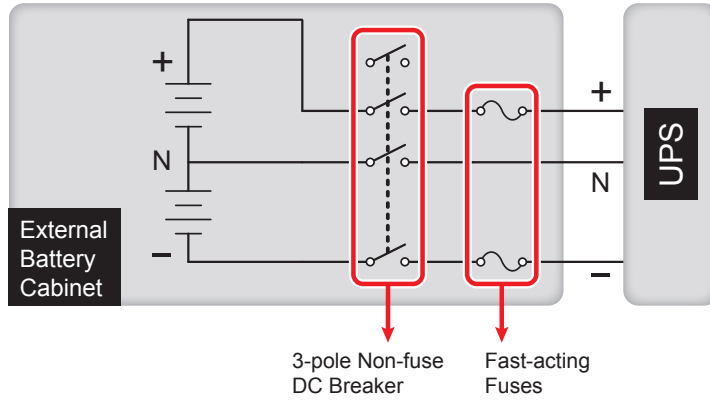
#### Notes:

1. Charge current is adjustable from 1A to the 20A maximum in increments of 0.5A.
  2. To modify the default charge current setting or default low battery shutdown setting, contact your local dealer or service personnel.
- Only use the same type of batteries from the same supplier. Never combine old, new or different Ah batteries at the same time.
  - The number of batteries must meet UPS requirements.
  - Do not connect the batteries in reverse polarity.
  - When connecting a non-Tripp Lite external battery cabinet to the UPS, it is compulsory to install an appropriate non-fuse DC breaker and fast-acting fuses (when short-circuit occurs, the melting current must be 5~6 times of the battery fuse's rating current).
  - To extend battery backup time, connect several external battery cabinets to the UPS.
- Note:** Recharge time will be extended; take note of charger capacity.
- To extend battery backup time, external batteries may be connected to the UPS.

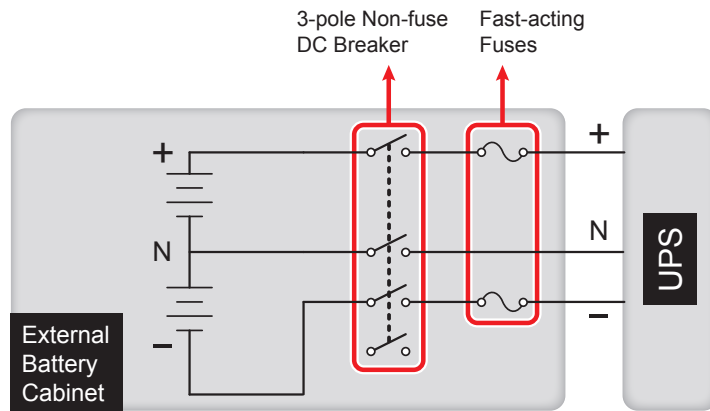
Rating Power (kVA)	Circuit Breaker Rating Current	Battery Cable	Battery Fuse
20	250V AC / 75A	1 AWG (35 mm <sup>2</sup> )	660V DC / 80A
30	250V AC / 125A	1/0 AWG (50 mm <sup>2</sup> )	660V DC / 125A
40	250V AC / 150A	3/0 AWG (95 mm <sup>2</sup> )	660V DC / 150A
60	250V AC / 250A	250 kcmil (120 mm <sup>2</sup> )	660V DC / 250A

# 3. Installation and Wiring

- The breaker must be a 3-pole DC breaker with a 250V DC rating per pole. Follow Figure 3-13 or Figure 3-14 between the UPS external battery cabinet.



(Figure 3-13: A 3-pole Non-fuse DC Breaker and Fast-acting Fuses Installation I)



(Figure 3-14: A 3-pole Non-fuse DC Breaker and Fast-acting Fuses Installation II)

## Battery Status Alarm

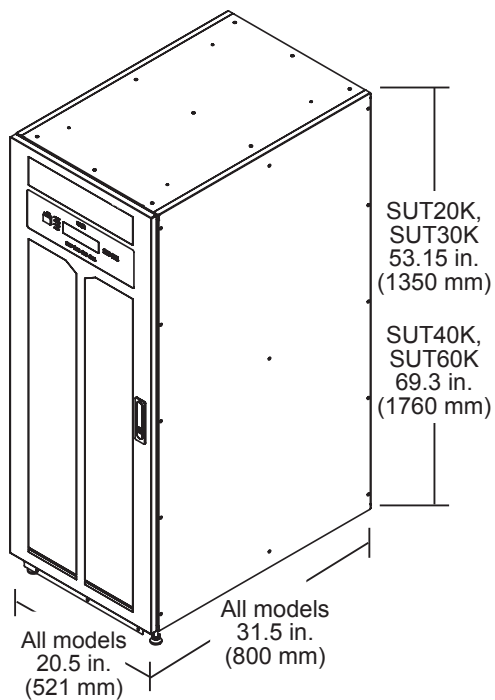
When the UPS system's batteries experience one of the problems shown below, the system will sound the following alarms:

No.	External Battery Cabinet Status	Alarm
1	Battery Test Fail	Sounds once every 2 seconds
2	Battery Low Warning	Sounds once every 0.5 second
3	Battery Low Shutdown	Long beep (5 seconds)
4	Battery Over Charge	Sounds once every 2 seconds
5	Battery Missing	Sounds once every 2 seconds



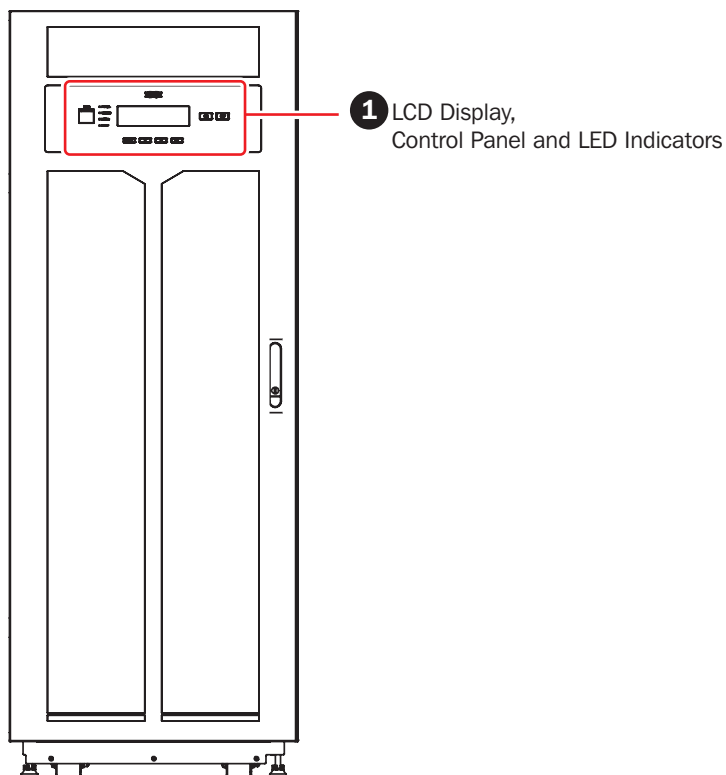
## 4. System Components

### 4.1 Appearance and Dimensions



(Figure 4-1: UPS Appearance and Dimensions)

### 4.2 Front View



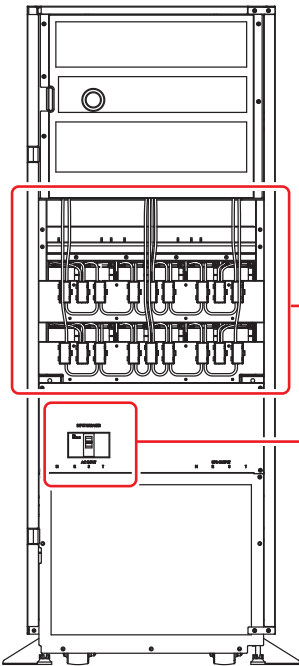
(Figure 4-2: Front View)

#### 1 LCD Display, Control Panel and LED Indicators

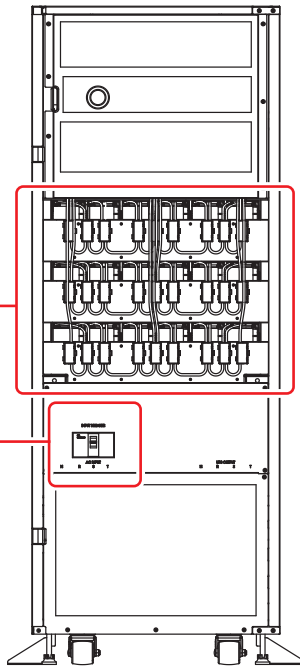
1. LCD displays UPS status.
2. Control panel includes ESC, move-up, move-down, confirmation, ON/OFF and EPO buttons (refer to Figure 4-7).
3. LED indicators include NORMAL, BATTERY, BYPASS and FAULT.
4. See **Chapter 8. LCD Display and Settings** for more information.

## 4. System Components

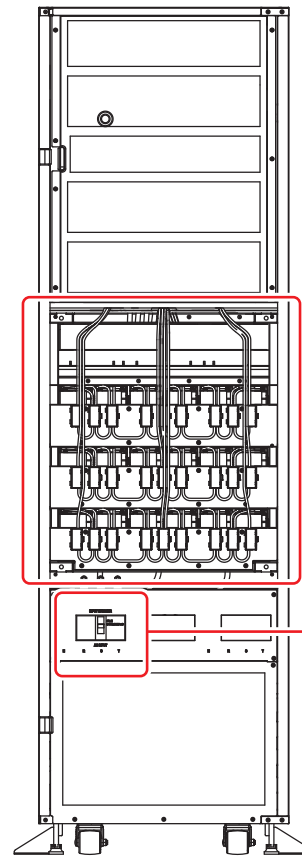
### 4.3 Front View with Door Open



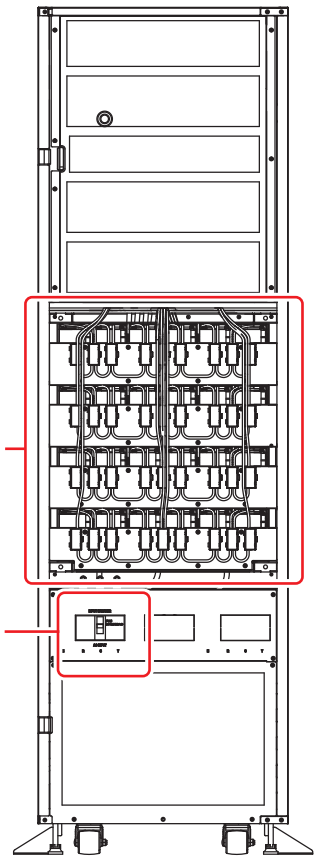
(Figure 4-3: SUT20K Front View with Door Open and Battery Compartment Panel Removed.)



(Figure 4-4: SUT30K Front View with Door Open and Battery Compartment Panel Removed.)



(Figure 4-5: SUT40K Front View with Door Open and Battery Compartment Panel Removed.)



(Figure 4-6: SUT60K Front View with Door Open and Battery Compartment Panel Removed.)

#### 2 Input Breaker

Controls the UPS system's main input switch and is used for safety protection.

#### 3 Internal Battery Cabinet

The four UPS models have different contents inside the internal battery cabinet. See the table below for more information.

1. The internal battery cabinet includes:

No.	Item	Quantity			
		SUT20K	SUT30K	SUT40K	SUT60K
1	Internal Batteries	48	72	72	96
2	Battery Tray	12	18	18	24

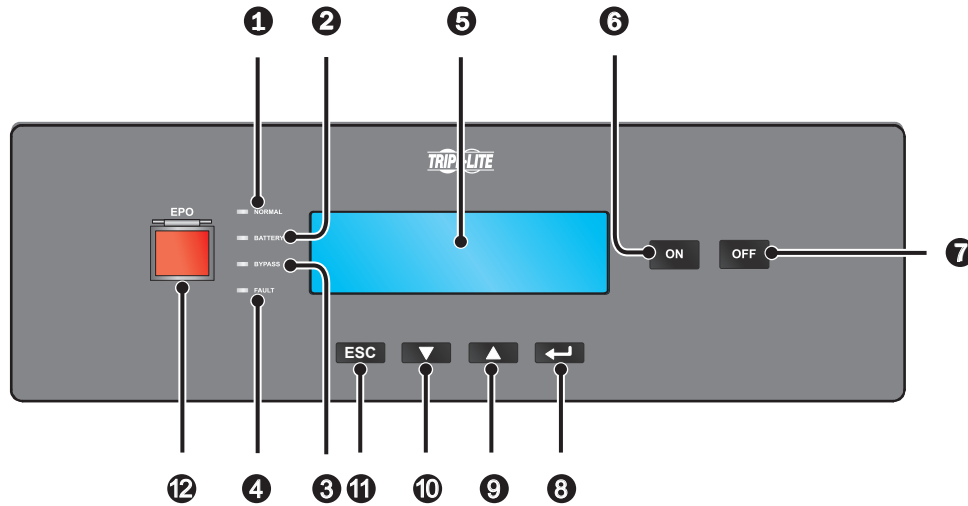
2. The internal batteries, battery trays and battery cables shown in the above table have already been configured at factory. Only qualified service personnel should perform battery installation, wiring and connection.

#### START UP and COMMISSIONING

An authorized Tripp Lite engineer must perform the start-up of the UPS and a completed start-up form must be returned to Tripp Lite in order to activate the SmartOnline SUT-Series warranty. Please contact your local supplier or [intlservice@tripplite.com](mailto:intlservice@tripplite.com) for further details. To find your local contact, go to [www.tripplite.com/support/contacts](http://www.tripplite.com/support/contacts) and click on 'Service Centers'.

# 4. System Components

## 4.4 Control Panel

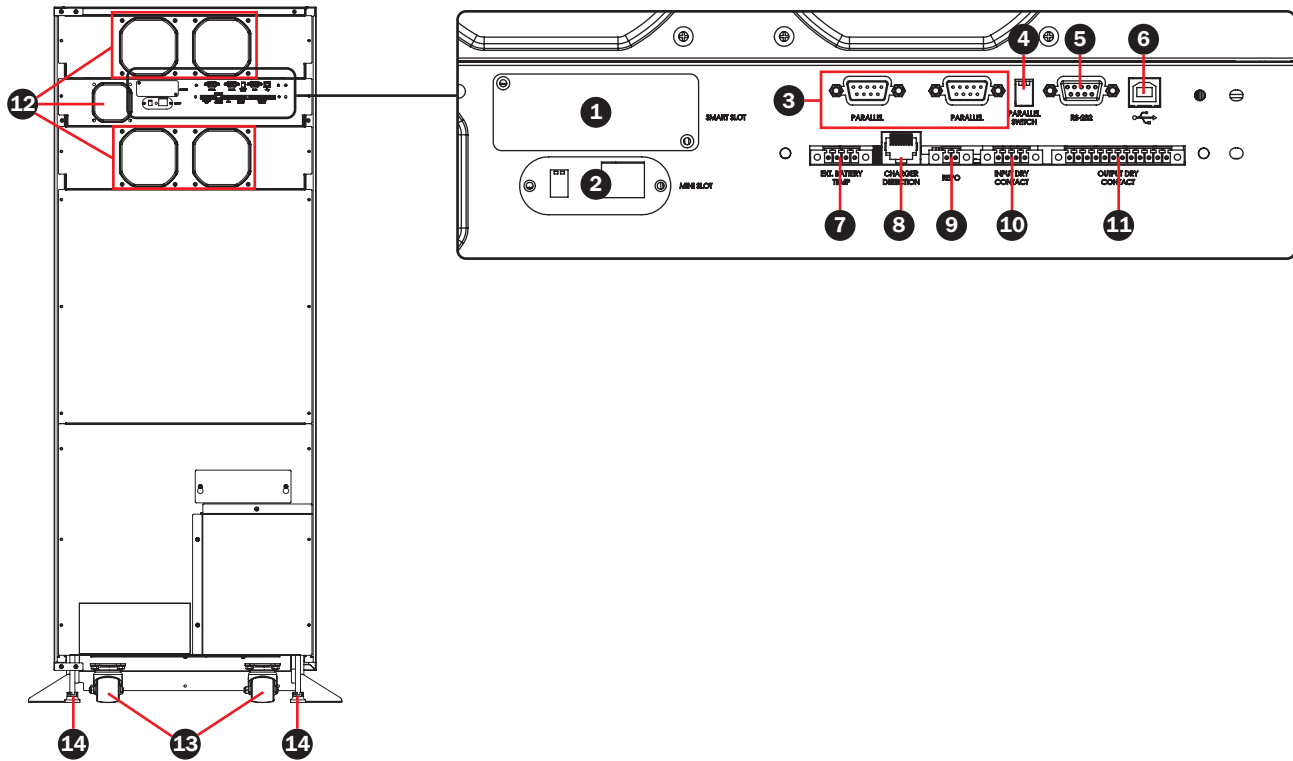


(Figure 4-7: Front Panel)

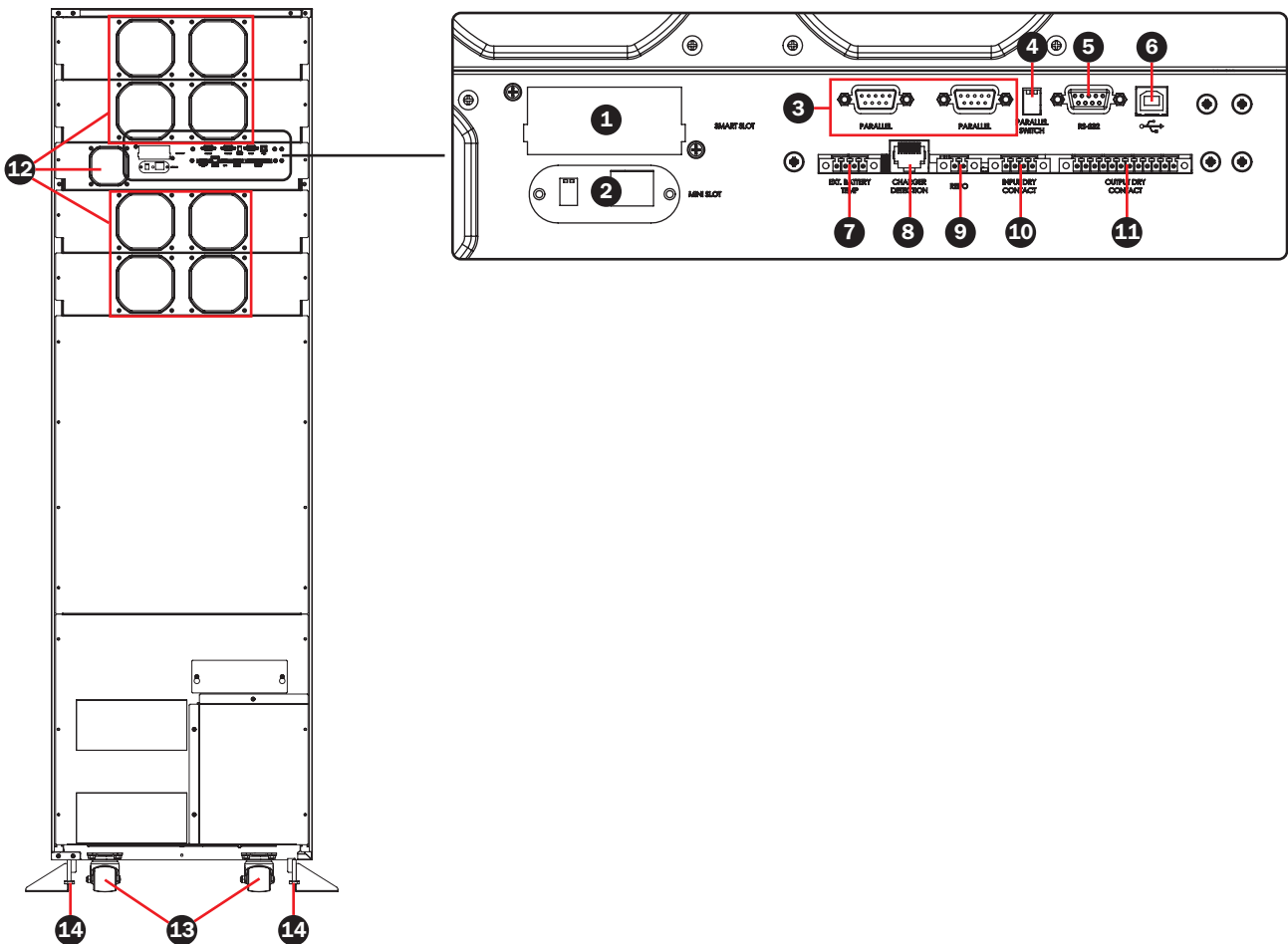
No.	Item	Description
1	NORMAL	UPS is operating in on-line mode and the utility AC power is normal.
2	BATTERY	UPS is operating in battery mode and the external batteries are discharging.
3	BYPASS	UPS is operating in bypass mode.
4	FAULT	UPS has abnormalities.
5	LCD Display	Displays UPS operating status and relevant monitoring data.
6	ON	ON key: Press this key for 3~4 seconds and release it after hearing a beep to start up the UPS.
7	OFF	OFF key: Press this key once and the LCD shows the following screen. To shut down the UPS, press the DOWN key (  ).
8		Confirms selection and accesses menu screen.
9		Moves up/Increases number.
10		Moves down/Decreases number.
11	ESC	Goes back to previous screen or cancels current selection.
12	EPO	When an emergency event occurs, press the <b>EPO key</b> for more than one second to shut down the rectifier, inverter and output of the UPS immediately. To reset, disconnect the EPO key and push the unit's OFF button for 3 seconds, then push the unit's ON button.

# 4. System Components

## 4.5 Rear Panel



(Figure 4-8: SUT20K, SUT30K Rear Panel)



(Figure 4-9: SUT40K, SUT60K Rear Panel)


## 4. System Components

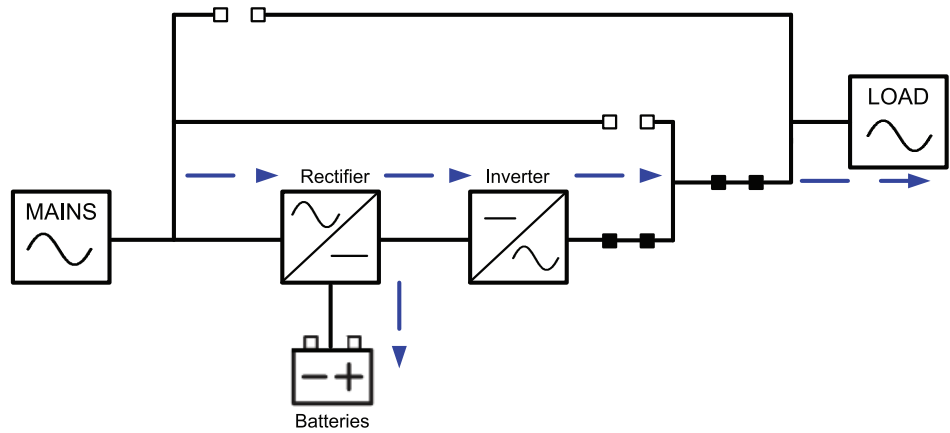
No.	Item	Description
1	SMART Slot	Connects SNMP Relay I/O/ModBus card. For detailed information, refer to <b>6. Communication Interfaces</b> .
2	MINI Slot	For more information, contact Tripp Lite.
3	Parallel Ports	For UPS parallel usage. For detailed information, refer to <b>6. Communication Interfaces</b> .
4	Parallel Switch	Controls parallel ports' statuses (ON or OFF). For detailed information, refer to <b>6. Communication Interfaces</b> .
5	RS-232 Port	Connects to a computer. For detailed information, refer to <b>6. Communication Interfaces</b> .
6	USB Port	Connects to a computer. For detailed information, refer to <b>6. Communication Interfaces</b> .
7	External Battery Temperature Input	Connects to the external Battery Cabinet Temperature Sensor. Contact the external battery cabinet manufacturer for instructions.
8	Charger Detection Port	Connects to a charger box and detects the charger status. For detailed information, refer to <b>6. Communication Interfaces</b> .
9	REPO Port	When an emergency event occurs, the UPS immediately disconnects the power supply and shuts down the unit. For detailed information, refer to <b>6. Communication Interfaces</b> .
10	Input Dry Contacts	Receive external information of devices connected to the input dry contacts. For detailed information, refer to <b>6. Communication Interfaces</b> .
11	Output Dry Contacts	Receive the UPS system's event information. For detailed information, refer to <b>6. Communication Interfaces</b> .
12	DC Fans	Cool and ventilate the UPS.
13	Casters	The casters are designed to provide final positioning movement only. Do not use the casters to move the UPS over a long distance. The casters are not designed to provide long-term support for the UPS after installation.
14	Levelers	The levelers are designed to provide long-term support for the UPS.

## 5. Operation Modes

This section provides a basic description of the UPS system's path of electrical power in its various operating modes. For more information about how operating modes are shown in the LCD's main screen, refer to **8. LCD Display and Settings**.

### Normal (On-line) Mode

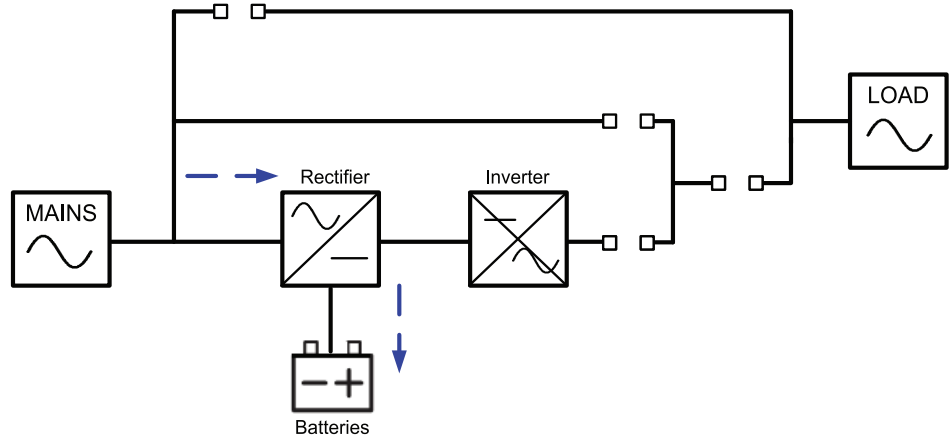
The critical load is supplied by the inverter, which derives its power from the utility AC power. The UPS charges the batteries as needed and provides power protection to the equipment. During on-line mode, the NORMAL LED indicator (  NORMAL ) illuminates (green).



(Figure 5-1: Path of Electrical Power through the UPS in Normal [On-line] Mode)



### Standby Mode

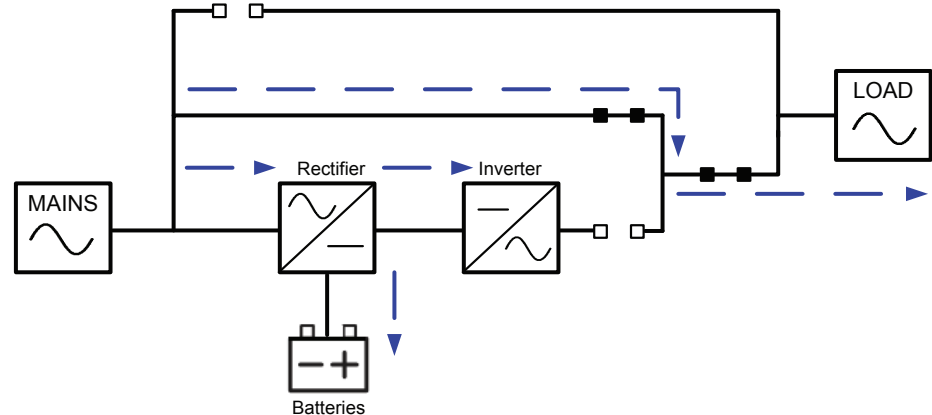
When the input voltage and frequency of the utility AC power are within the normal range, the UPS runs in standby mode and charges the batteries. The bypass and the inverter have no output.



(Figure 5-2: Path of Electrical Power through the UPS in Standby Mode)

### ECO Mode

The UPS can be set in ECO mode manually. In ECO mode, when the utility input voltage is within the  $\pm 10\%$  range of rated voltage, the load is supplied by the utility power and the BYPASS LED indicator (  BYPASS ) illuminates (yellow); if out of the range, the load is supplied by the inverter and the NORMAL LED indicator (  NORMAL ) illuminates (green).

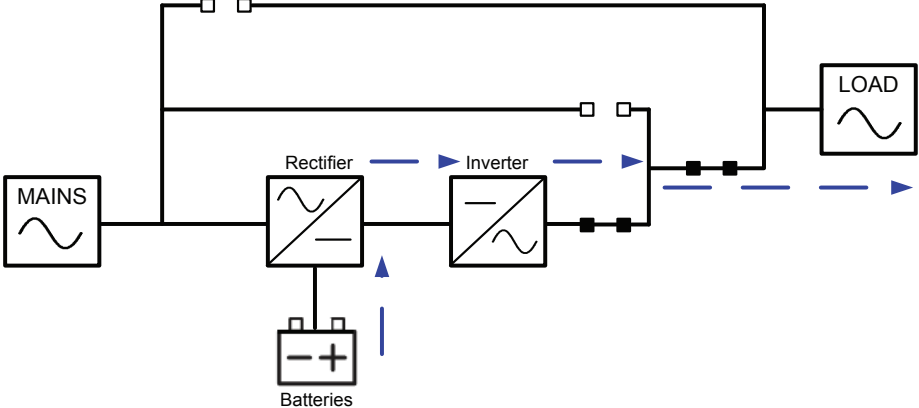


(Figure 5-3: Path of Electrical Power through the UPS in ECO Mode)

# 5. Operation Modes

## Battery Mode

When the UPS is operating during a power outage, the batteries provide DC power, which maintains inverter operation to support the critical load. During battery mode, the BATTERY LED indicator (  BATTERY ) illuminates (yellow).



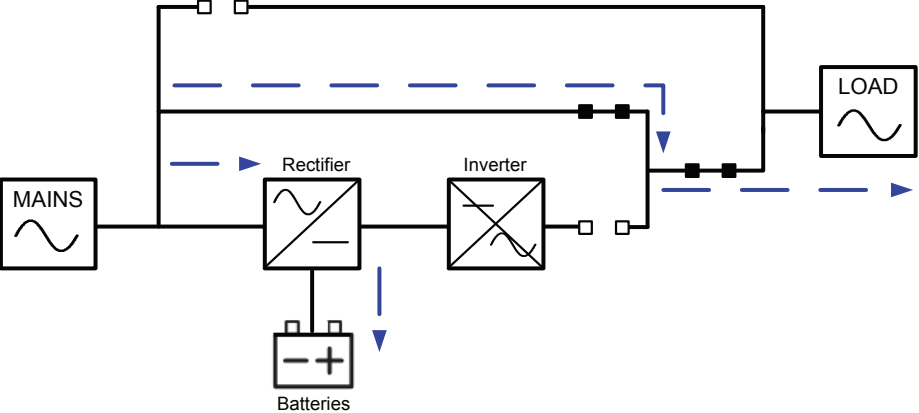
(Figure 5-4: Path of Electrical Power through the UPS in Battery Mode)

Table 5-1: Battery Status

Battery Capacity	Buzzer	LCD Display
Full/Mid	The alarm beeps once every second. (ON for 0.1 second and OFF for 9.9 seconds)	BATTERY CAPACITY 00V/ 000%
Low	The alarm beeps once every 0.5 second. (ON for 0.1 second and OFF for 0.9 second)	BATTERY CAPACITY 00V/ 000%
Depleted	Long beep.	SHUTDOWN DUE TO LOW BATTERY

## Bypass Mode

The critical load is directly supplied by the utility power and the batteries are charged. During bypass mode, the BYPASS LED indicator (  BYPASS ) illuminates (yellow).

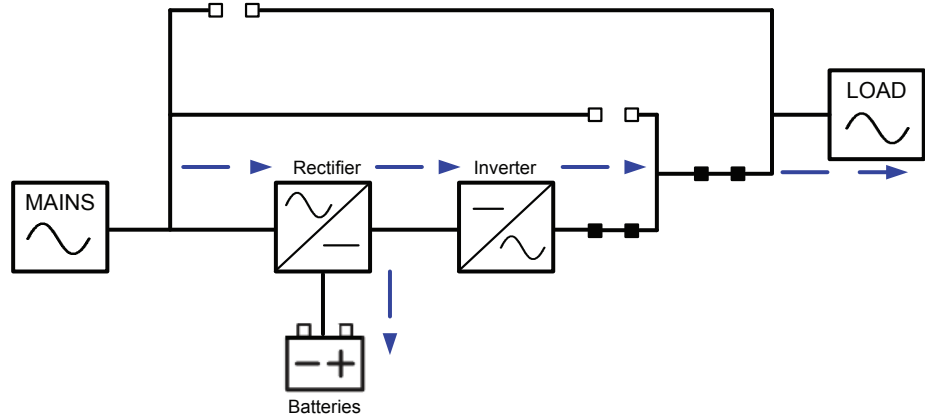


(Figure 5-5: Path of Electrical Power through the UPS in Bypass Mode)

## 5. Operation Modes

### Frequency Conversion Mode

When the UPS is manually set in converter mode, the output frequency can be set as 50 Hz or 60 Hz. After the output frequency is set up, the system will automatically disable the bypass function. Once the inverter shuts down, there is no bypass output. During converter mode, the NORMAL LED indicator (  NORMAL ) illuminates (green).

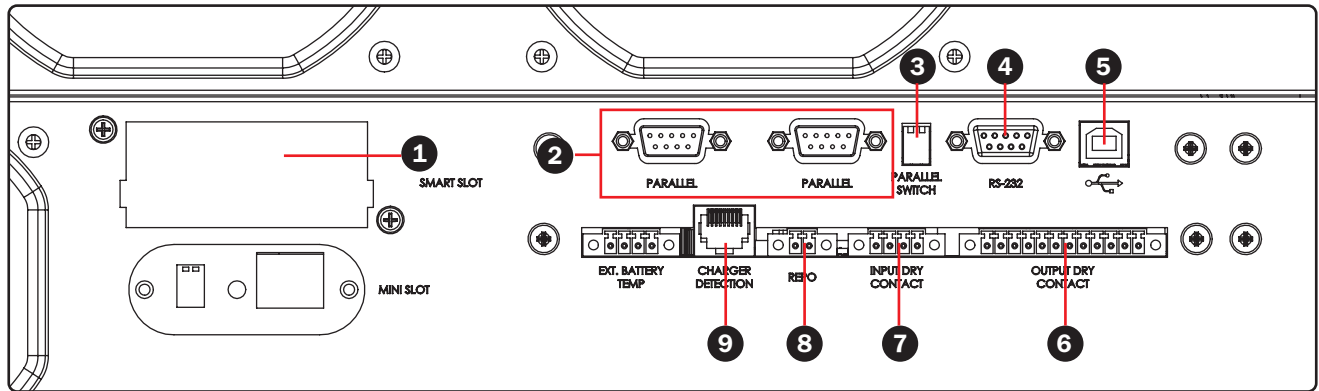


(Figure 5-6: Path of Electrical Power through the UPS in Converter Mode)



# 6. Communication Interfaces

For the positions and functions of the communication interfaces, refer to the following diagram:



(Figure 6-1: Communication Interfaces)

**Notes:**

1. The UPS functions normally without connecting to the communication interfaces.
2. All communication interfaces may be used at the same time and will not interfere with one another's functionality.

**1 SMART Slot**

Install an SNMP card in this SMART slot to remotely control and monitor the UPS status via a network. The Relay I/O or MODBUS card may also utilize this slot to provide dry contact or MODBUS functionality, respectively.

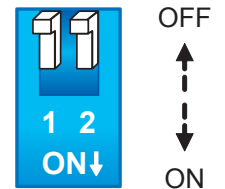
**2 Parallel Ports**

The two parallel ports are for UPS parallel communication. A maximum of four UPS systems with the same capacity, voltage and frequency may be coupled using the provided parallel cable to run in parallel mode.

**3 Parallel Switch**

When paralleling UPS systems, the DIP switches must be set up to activate the parallel function. The parallel switch includes two DIP switches. To turn on a DIP switch, switch the DIP to the down position; to turn off a DIP switch, switch the DIP to the up position.

1. When two UPS systems are paralleled, turn on each UPS DIP switch.
2. When three UPS systems are paralleled, turn off the middle UPS DIP switches and turn on the remaining DIP switches.
3. When four UPS systems are paralleled, turn off the middle two DIP switches and turn on the remaining DIP switches.

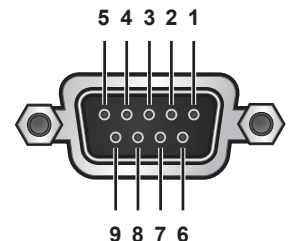


(Figure 6-2: Parallel Switch)

**4 RS-232 Port**

The RS-232 port is built into the UPS rear panel to provide communication between the UPS and a computer. Use Tripp Lite's free PowerAlert® power management software (available for download at [www.tripplite.com/poweralert](http://www.tripplite.com/poweralert)) to check and monitor the UPS status via a computer. Detailed information is as follows:

1. Monitors the load level, battery status, battery voltage, UPS operation mode, input voltage, input frequency, output voltage and UPS temperature.
2. Sets shutdown delay time.
3. Enables/disables audible alerts.
4. Supports remote shutdown.
5. Pin Assignment:
  - 1) Pin 2: TXD <Transmitting Data>
  - 2) Pin 3: RXD <Receiving Data>
  - 3) Pin 5: GND <Signal Ground>
6. Hardware
  - 1) Baud Rate: 2400 BPS
  - 2) Data Length: 8 bit
  - 3) Stop Bit: 1 bit
  - 4) Parity: None



(Figure 6-3: RS-232 Port)

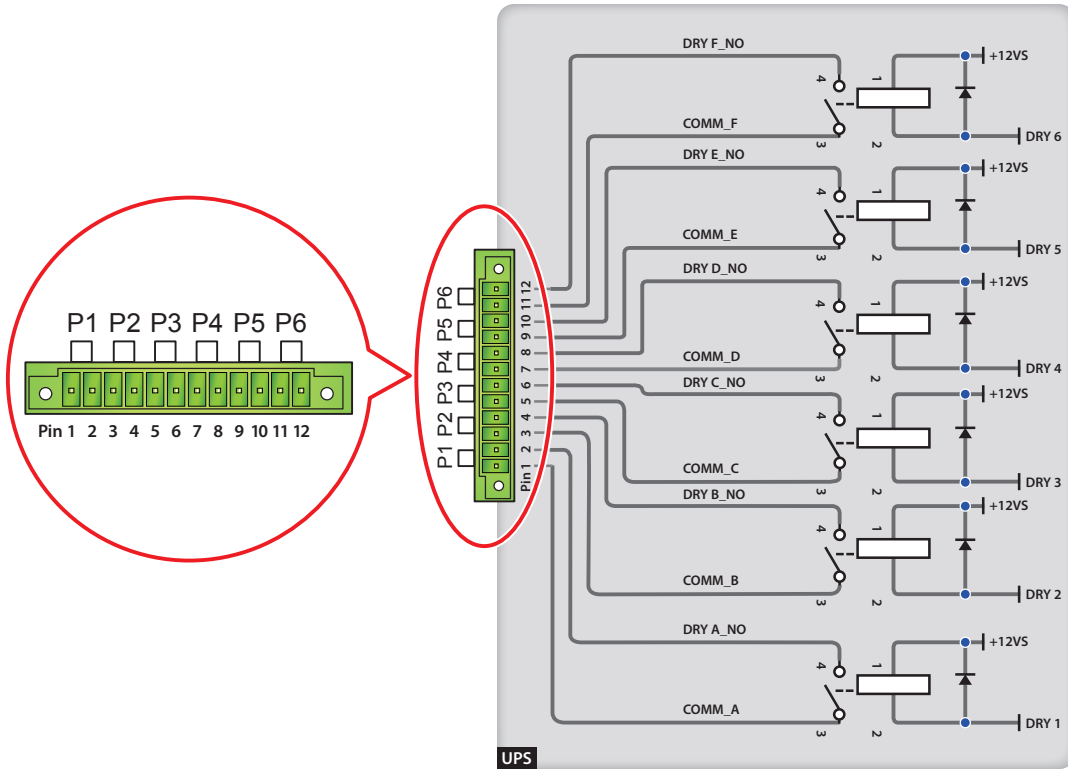
**Note:** Other pins are reserved and cannot be used.

## 6. Communication Interfaces

### 5 USB Port

The USB port built into the UPS provides a RS-232 serial over USB connection. This allows a serial data stream for computers and laptops that do not have the standard DB9-type serial port common with RS-232 connections. Once configured in Windows, this port displays and operates as a standard COM port.

### 6 Output Dry Contacts



(Figure 6-4: Output Dry Contacts: Pin Definition and Design)

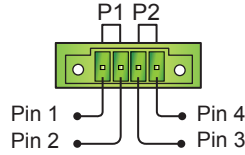
The SmartOnline SUT UPS provides six sets of programmable output dry contacts to deliver UPS events. There are eighteen selectable events, six may be selected. The dry contacts are open by default. Please refer to the table below.

No.	Event	Description
1	On-line Mode	1. The UPS is in Normal Mode. 2. Default: Pins 1 and 2.
2	Bypass Mode	1. The UPS is in Bypass Mode. 2. Default: Pins 3 and 4.
3	Battery Mode	1. When the main AC source fails, the UPS supplies battery power to the connected load. 2. Default: Pins 5 and 6.
4	Low battery	1. When the UPS runs in battery mode, battery voltage is lower than setup limit, 220V DC. 2. Default: Pins 7 and 8.
5	Bypass input not OK	1. The bypass voltage, frequency or phase sequence is abnormal. 2. Default: Pins 9 and 10.
6	Battery test fail or battery missing	1. In the process of battery test, battery voltage is out of setup limit. 2. Default: Pins 11 and 12.

# 6. Communication Interfaces

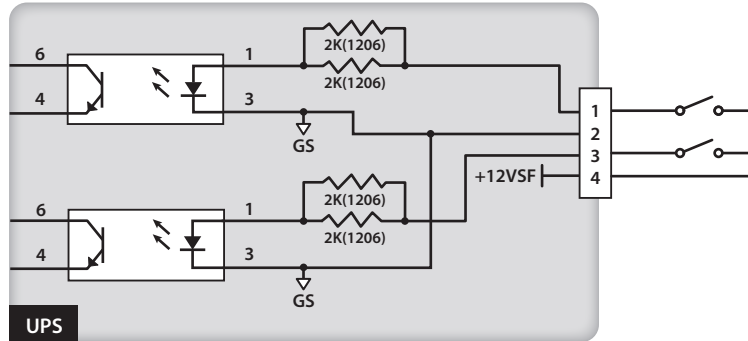
## 7 Input Dry Contacts

The UPS provides two sets of input dry contacts that are open by default. The default setting for Pin 1 and 2 is “ROO” and the default setting for Pins 3 and 4 is “Generator Power Supply Signal”. There are two configuration types:



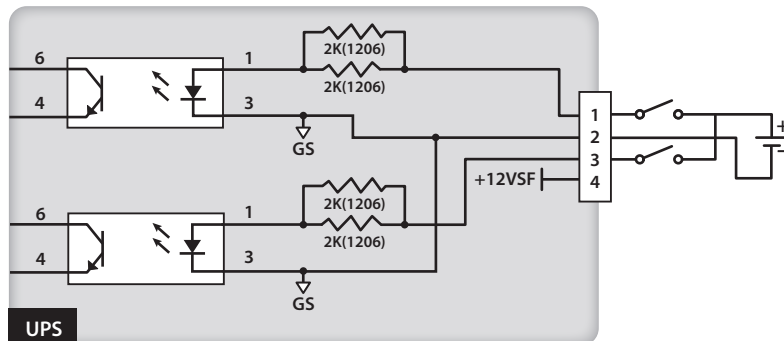
(Figure 6-5: Input Dry Contacts)

Figure 6-6 shows the first type of input dry contact configuration. It requires internal power, +12VSF.



(Figure 6-6: Input Dry Contact Configuration I)

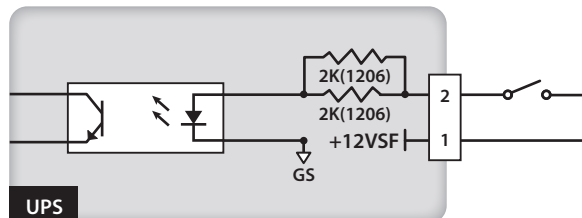
Figure 6-7 shows the second type of input dry contact configuration. It requires external power with a voltage range between 6~12V DC.



(Figure 6-7: Input Dry Contact Configuration II)

## 8 REPO Port

The REPO port is for remote emergency power off. When an emergency event occurs, it will disconnect the UPS power supply rapidly and shut down the UPS immediately. The configuration is shown as follows.



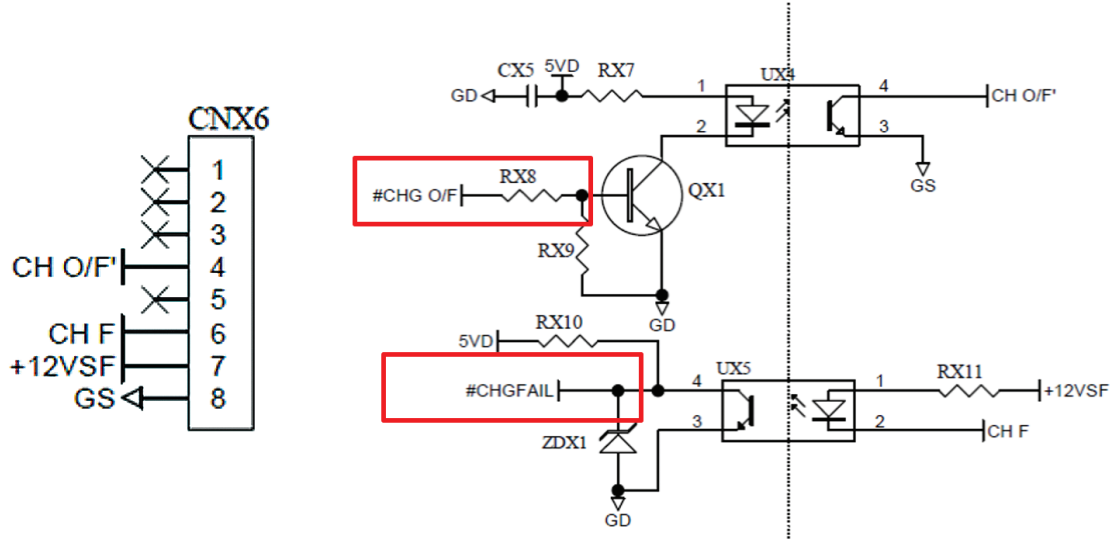
(Figure 6-8: REPO Port Configuration)

# 6. Communication Interfaces

## 9 Charger Detection Port

The charger detection port is used to connect with an external charger box. With this port, the UPS can detect the operating status of the external charger box and control its switch.

As shown in the diagram below, there are two signal sources. One signal source controls the on/off charging mechanism and the other signal source detects the charging status (fail/no fail).



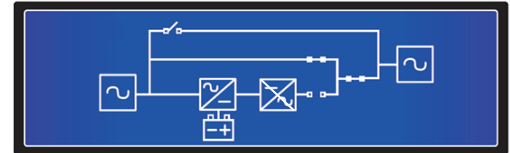
# 7. Operation

## 7.1 Connecting the UPS with Utility AC Power

- 1 If the UPS connects with external battery cabinets, make sure the circuit breakers or switches of all external battery cabinets are switched to the ON position.
- 2 Switch on the Input Breaker and supply utility AC power to the UPS. Shortly after, the fans will turn on and the LCD initialization screen (Tripp Lite) will display. The UPS will then transfer to bypass mode. While in bypass mode, the BYPASS LED indicator (  **BYPASS** ) will illuminate (yellow).



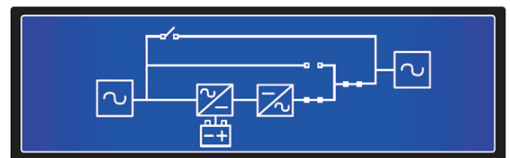
- NORMAL
- BATTERY
- BYPASS
- FAULT



## 7.2 Turn On (Starting the Inverter)

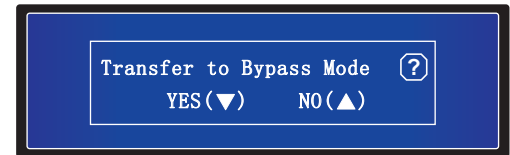
Press the **ON** key (  **ON** ) for 3~4 seconds. After hearing a beep, release the key immediately to turn on the UPS. After the UPS completes its self-diagnosis, it will transfer to normal (on-line) after approximately 10 seconds. While in on-line mode, the NORMAL LED indicator (  **NORMAL** ) will illuminate (green).

- NORMAL
- BATTERY
- BYPASS
- FAULT



## 7.3 Turn Off (UPS Shutdown)

In on-line mode, press the **OFF** key (  **OFF** ) once. To stop the inverter, press the DOWN key (  **DOWN** ). The inverter will shut down, the buzzer will sound once, and the system will transfer to bypass mode. At this time, the bypass LED indicator (  **BYPASS** ) will illuminate (yellow). **SHUTDOWN WARNING: The load will be dropped at this time! Turn OFF the Input Breaker. The BYPASS LED will turn off. After approximately a minute, the UPS will then power off.** To complete the shutdown process, remove utility AC power.



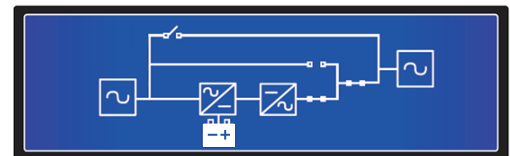
### WARNING:

The UPS may be removed only after the LCD screen is off, the fans are no longer running, the utility AC power is removed and the batteries are disconnected.

## 7.4 Cold Start (Battery Start) Procedure

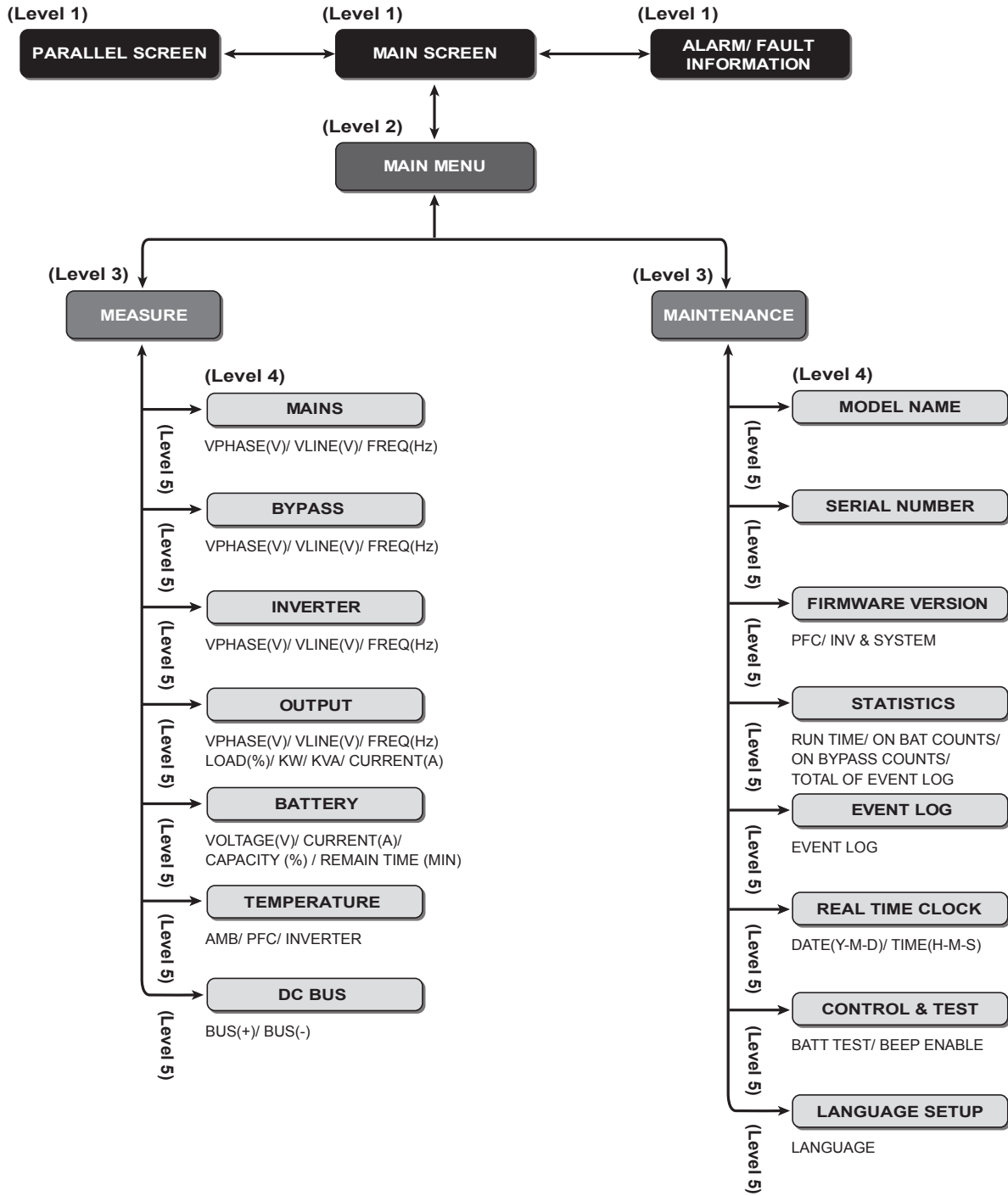
- 1 If the UPS connects with external battery cabinets, make sure the circuit breakers or switches of all external battery cabinets are switched to the ON position.
- 2 Press the **ON** key (  **ON** ) for 3~4 seconds. After hearing a beep, release the key immediately to turn on the UPS. Shortly after, the fans will turn on and the inverter will perform a soft start. After building up to the nominal voltage, the UPS will activate online in battery mode. While in battery mode, the BATTERY LED indicator (  **BATTERY** ) will illuminate (yellow). At this time, the UPS audible alarm will beep and the battery mode screen will display.

- NORMAL
- BATTERY
- BYPASS
- FAULT



# 8. LCD Display and Settings

## 8.1 LCD Display Hierarchy



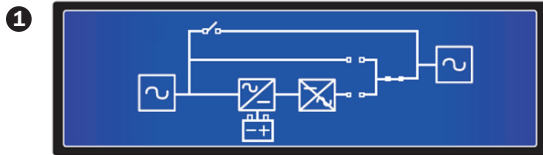
(Figure 8-1: LCD Display Hierarchy)

- Notes:**
1. Refer to **4.4 Control Panel** for information about the LCD and function keys.
  2. All information shown in the LCD diagrams presented in **8. LCD Display and Settings** is for reference only. Actual readings depend on the operation of the UPS.

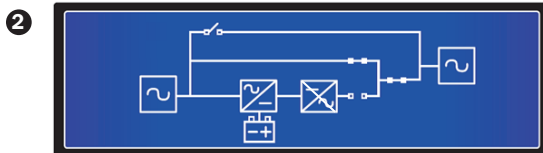
## 8. LCD Display and Settings

After initialization, the LCD will show current UPS status diagrams. The system shows different screens, depending on the status of the UPS. The statuses of the LCD's **Main Screen** are shown below. For a basic description of the UPS system's path of electrical power in its various operating modes, refer to **5. Operation Modes**.

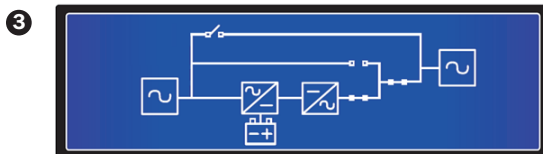
The six UPS statuses of the UPS shown in the LCD display are:



**The UPS is in Standby Mode.** When the input voltage and frequency of the utility AC power are within the normal range, the UPS runs in Standby Mode and charges the batteries. The bypass and the inverter have no output.



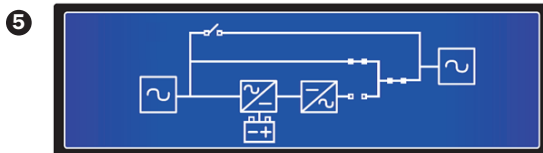
**The UPS is in Bypass Mode.** The critical load is directly supplied by the utility power and the batteries are charged. During Bypass Mode, the BYPASS LED indicator illuminates yellow.



**The UPS is in Normal (On-line) Mode.** The critical load is supplied by the inverter, which derives its power from the utility AC power. The UPS charges the batteries as needed and provides power protection to the equipment. In On-line Mode, the NORMAL LED indicator illuminates green.



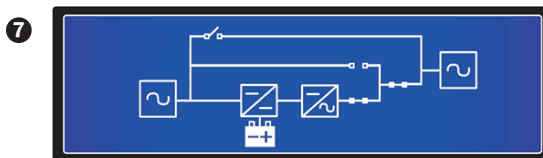
**The UPS is in Battery Mode.** When the UPS system is operating during a power outage, the batteries provide DC power, which maintains inverter operation to support the critical load. During battery mode, the BATTERY LED indicator illuminates yellow.



**ECO Mode.** You can manually set the UPS to ECO mode. In ECO Mode, when the utility input voltage is within the  $\pm 10\%$  range of rated voltage, the load is supplied by the utility power and the BYPASS LED indicator illuminates yellow. If the utility input voltage is out of the range, the load is supplied by the inverter and the NORMAL LED indicator illuminates green.



**Frequency Conversion Mode.** When the UPS is manually set in Frequency Conversion Mode, the output frequency can be set as 50 Hz or 60 Hz. After the output frequency is set up, the system will automatically disable the bypass function. Once the inverter shuts down, there is no bypass output. During Frequency Conversion Mode, the NORMAL LED indicator illuminates green.





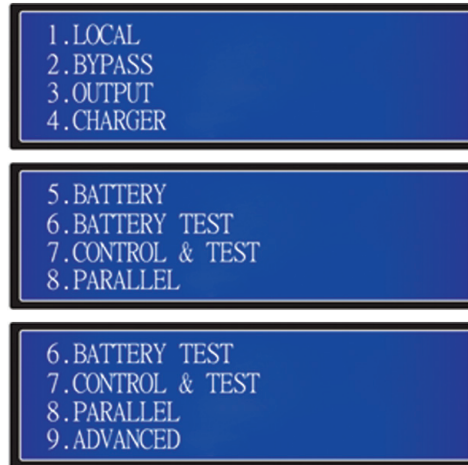
**Battery Test Mode.** Confirm the UPS is working in on-line mode, and press the ON key for 3 seconds or set the BATTERY TEST on LCD. The UPS will perform a battery test only when the voltage of the batteries is over 160.8V and the charger is in Float Charge Mode.



# 8. LCD Display and Settings

## 8.2 Setting Menu

Route: Main Screen → Setting Menu

Settings can only be modified when the UPS is in Bypass Mode. Press and hold for 3 seconds. While in Bypass Mode, press function keys (  ) and (  ) to enter the Setting Menu shown below:



Use function keys (  ) and (  ) to view or change the UPS system's local, bypass, output, charger, battery, battery test, control & test, parallel and advanced settings.

### 1. Local Setup

Route: Main Screen → Setting → LOCAL MENU



The default setting of DATE and TIME is GMT.

The default setting of PASSWORD is 0000

Use function keys (  ), (  ) and (  ) to set the DATE, TIME and PASSWORD.

### 2. Bypass Setup





Route: Main Screen → Setting → BYPASS MENU



The range of this option is 5~15%. The default setting of VOLT RANGE (Upper) is 15%.

The range of this option is 5~15%. The default setting of VOLT RANGE (Lower) is 15%.

The range of FREQ RANGE can be reduced. The default setting of FREQ RANGE is +/-3.0.

Only when bypass input voltage is within the range of BYPASS SETUP can the UPS provide output voltage. Use function keys (  ), (  ) and (  ) to change the BYPASS SETUP setting. Press (  ) to confirm selection when prompted.



## 8. LCD Display and Settings

### 3. Output Setup

Route: Main Screen → Setting → OUTPUT MENU

Press ( ← ) to scroll to the second screen.

3.OUTPUT SETUP	
VOLT(V)	120
FREQ(Hz)	60
FREQ CONVERTER	OFF

3.OUTPUT SETUP	
ECO	OFF
REDUNDANCY(UNIT)	0
INDUSTRIAL	OFF

**VOLT (V):** The UPS system's output voltage when in Normal (On-line) Mode. There are two settings: 120V and 127V. The default setting is 120V.

**FREQ (HZ):** The UPS system's output frequency when in Normal (On-line) Mode. There are two frequency settings: 50 or 60 Hz. The default setting is 50 Hz.

**FREQ CONVERTER:** Enables or disables the Frequency Converter. The default setting is OFF.

**ECO:** Enables or disables ECO Mode. The default setting is OFF.

**REDUNDANCY (UNIT):** The number of redundancy units in a configuration. There are 5 settings: 0, 1, 2, 3 and 4. The default setting is 0.

**INDUSTRIAL:** When connecting to a non-linear load with a high inrush current, the user can switch to this mode until the output current recovers. The default setting is OFF.

Use function keys ( ▲ ), ( ▼ ) and ( ← ) to change the OUTPUT SETUP setting.

### 4. Charger Setup

Route: Main Screen → Setting → CHARGER MENU

Press ( ← ) to scroll to the second screen.

4.CHARGER SETUP	
CHARGE CURRENT(A)	9.0
CHARGE FLOAT VOLT(V)	163
CHARGE BOOST VOLT(V)	168

4.CHARGER SETUP	
CHARGE BOOST VOLT(V)	168
BoostChargeTime(hours)	08
AutoBoostChargePeriod	OFF

**CHARGE CURRENT:** The charge current range is 1A~20A. The default settings are: SUT20K 2A  
SUT30K 3A  
SUT40K 3A  
SUT60K 4A

**CHARGE FLOAT VOLT(V):** Sets the floating voltage. The default setting is 163.

**CHARGE BOOST VOLT(V):** Sets the boost voltage. The default setting is 168.

**BOOST CHARGE TIME (HOURS):** There are six settings: 04, 08, 12, 16, 20 and 24. The default setting is 08.

**AUTO BOOST CHARGE PERIOD:** There are four settings: OFF, 1M, 3M, 6M (M = Month). The default setting is OFF.

Use function keys ( ▲ ), ( ▼ ) and ( ← ) to change the CHARGER SETUP setting.

# 8. LCD Display and Settings

## 5. Battery Setup

Route: Main Screen → Setting Menu → BATTERY SETUP

5. BATTERY SETUP	
BAT RATING VOLT(V)	144
TYPE(AH)	040
LOW BATTERY ALARM(V)	132

5. BATTERY SETUP	
SHUTDOWN VOLT(V)	120
BATTERY NUMBER	12
Install Date(Y-M-D)	00-00-00

5. BATTERY SETUP	
Install Date(Y-M-D)	00-00-00
Replace Date(Y-M-D)	00-00-00
TYPE	VRLA

**BAT RATING VOLT (V):** The default setting is 144.

**TYPE (AH):** Sets the battery rating. The default setting is SUT20K: 20AH, SUT30K and SUT40K: 30AH, SUT60K: 40AH.

**LOW BATTERY ALARM (V):** The default setting is 132.

**SHUTDOWN VOLT (V):** The default setting is 120V.

**BATTERY NUMBER:** The default setting is 12. Do not change the default setting.

**Install Date (Y-M-D):** Battery's actual install date.

**Replace Date (Y-M-D):** Battery's replacement date.

Use function keys ( ▲ ), ( ▼ ) and ( ← ) to change the BATTERY SETUP setting.

## 6. Battery Test

Route: Main Screen → Setting Menu → BATTERY TEST

6. BATTERY TEST SETUP	
Auto Deepdischarge	OFF
Manual Test	Yes
Test Time(min)	05

6. BATTERY TEST SETUP	
Test Time(min)	05
Test Fail Volt(V)	132
Clear Test Result	Yes

**Auto Deep Discharge:** There are four settings: OFF, 30D, 60D and 90D (D = Days). The default setting is OFF.

**Manual Test:** Initiates the start of a battery manual test. The test time is five minutes. If the battery's voltage is lower than 132V, the result is fail. If above, the result is pass.

**Clear Test Result:** Clears the battery test result.

Use function keys ( ▲ ), ( ▼ ) and ( ← ) to change or initiate the BATTERY TEST setting.

# 8. LCD Display and Settings

## 7. Control & Test

Route: Main Screen → Setting Menu → CONTROL & TEST



**FORCE BYPASS TRANSFER:** Enables or disables the Force Bypass Transfer. The default setting is YES.

**AUTO RESTART:** Enables or disables Auto Restart. If set to ON, the UPS will shut down and automatically restart. The default setting is ON.

Use function keys ( ▲ ), ( ▼ ) and ( ← ) to change the CONTROL & TEST setting.

## 8. Parallel Setup

Route: Main Screen → Setting Menu → PARALLEL SETUP



**PARALLEL ID:** Every parallel UPS system’s PARALLEL ID should be different. When UPS systems are in a parallel configuration, you can change the PARALLEL ID to avoid ID conflict. There are four settings: 01, 02, 03 and 04.

Use function keys ( ▲ ), ( ▼ ) and ( ← ) could change the setting of PARALLEL ID.

## 9. Advanced

Route: Main Screen → Setting Menu → ADVANCED



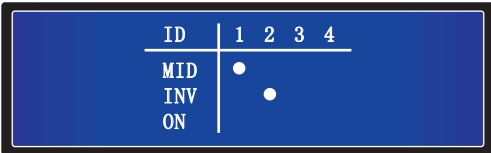
**CLEAR STATISTICS:** Includes RUN TIME, ON BAT COUNTS, ON BYPASS COUNTS, and TOTAL EVENT COUNTS. You can clear statistics of all the above items.

**FIRMWARE UPGRADE:** This option upgrades the firmware. Firmware upgrades must be performed by qualified personnel only. There are two choices to upgrade: PFC and SYSTEM

Use function keys ( ▲ ), ( ▼ ) and ( ← ) to change the ADVANCED setting.

## 8.3 Parallel Screen


When UPS systems are paralleled, press either the function key ( ▲ ) or ( ▼ ) in a **Main Screen** to enter into the **Parallel Screen**:



- **ID:** In parallel mode, this is the UPS ID number.
- **MID:** Master UPS ID number. (In parallel mode, there is only one master UPS).
- **INV:** “ ● ” means “CONNECTED”.
- **ON:** “ ● ” means “INVERTER ON”.

# 8. LCD Display and Settings

## 8.4 Main Menu

In the **Main Screen**, press the function key (  ) to enter the **Main Menu**.



### MEASURE



Check the UPS mains, bypass, inverter, output, battery, temperature and DC BUS readings.

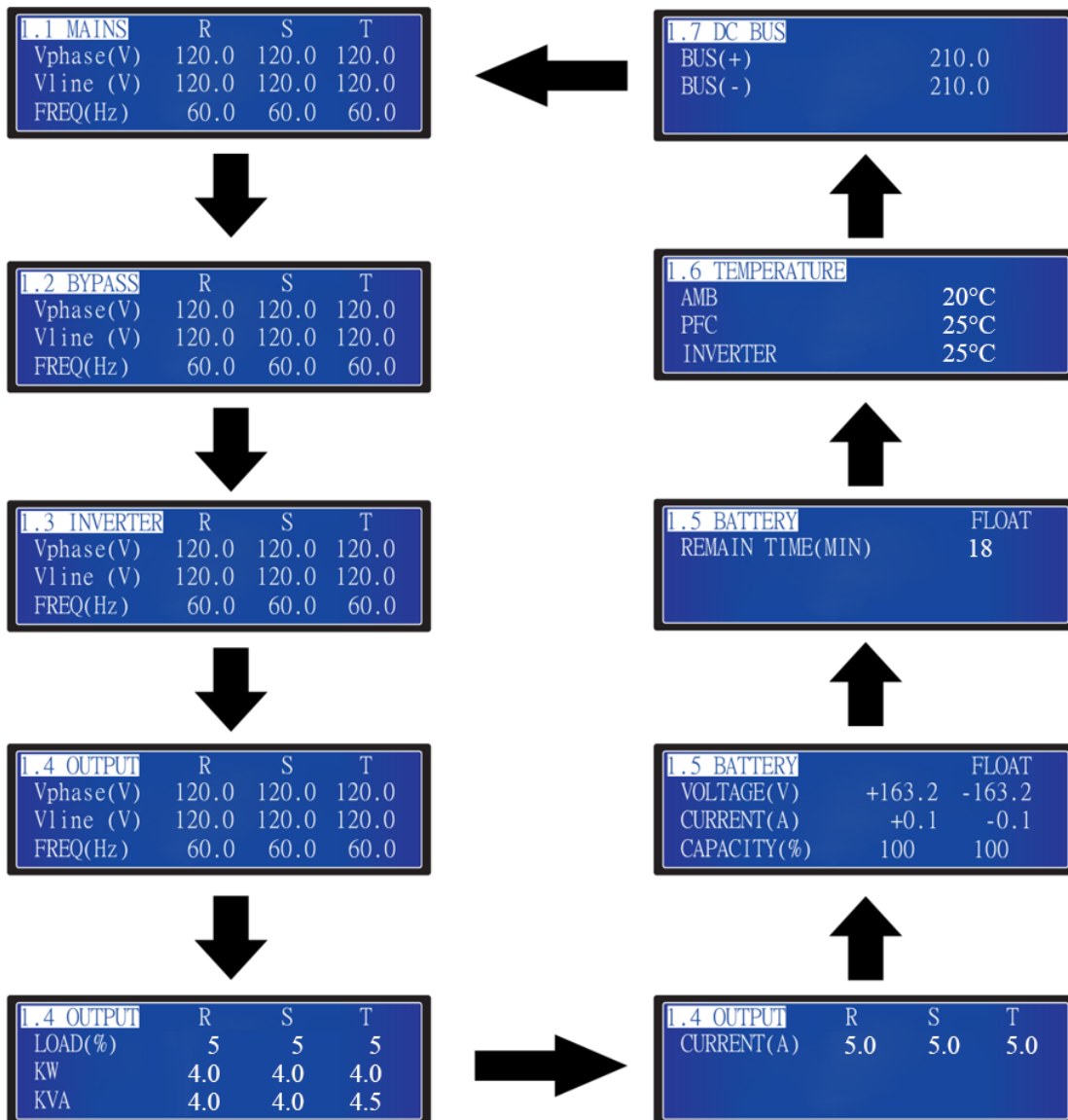
### MAINTENANCE

Check the UPS model name, serial number, firmware version, statistics, event log, real time clock, control & test, and language setup. User can set up the last two items.

## 8.5 Measure

**Route: Main Screen → Main Menu → Measure**

Use the function keys (  ) and (  ) to check the UPS mains, bypass, inverter, output, battery, temperature and DC BUS readings. Press ESC to return to the main menu.



# 8. LCD Display and Settings

## 8.6 Maintenance

Route: Main Screen → Main Menu → Maintenance

Use the function keys ( ▲ ) and ( ▼ ) to check the UPS model name, serial number, firmware version, statistics, event log, real time clock, control & test, and language setup. Press ( ← ) to scroll to confirm selection. Press ESC to return to the prior screen. User can set up the last two items.

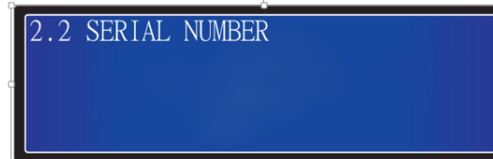
### Model Name

Route: Main Screen → Main Menu → Maintenance → 2.1 Model Name



### Serial Number

Route: Main Screen → Main Menu → Maintenance → 2.2 Serial Number



### Firmware Version

Route: Main Screen → Main Menu → Maintenance → 2.3 Firmware Version



The screen above shows the PFC and the INV & SYSTEM's firmware version. (V01 is shown as an example only; the actual firmware version may be different.)

### Statistics

Route: Main Screen → Main Menu → Maintenance → 2.4 Statistics

Press ( ← ) to scroll to the second screen.



1. **RUN TIME (DD HH: MM: SS):** The UPS total running time.
2. **ON BAT COUNTS:** Number of times the UPS runs in battery mode.
3. **ON BYPASS COUNTS:** Number of times the UPS runs in bypass mode.
4. **TOTAL OF EVENT LOG:** The UPS total number of logged events. The maximum number of stored events is 1,000.



## 8. LCD Display and Settings

### Event Log

Route: Main Screen → Main Menu → Maintenance → 2.5 Event Log




2.5 EVENT LOG 0100/1000  
17-02-01 00:00:00  
088: 001#  
AC MODE

The above screen shows the event number, event date, time and event descriptions. Use the function keys (  ) and (  ) to view other events. The event number means the event code. The greater the event number, the newer the event. Old events will be overwritten when the total number of events exceeds storage capacity (up to 1,000 entries can be saved).

### Real Time Clock

Route: Main Screen → Main Menu → Maintenance → 2.6 Real Time Clock



2.6 REAL TIME CLOCK  
DATE(Y-M-D) 17-02-01  
TIME(H-M-S) 12:00:10

The screen above shows date and time.

### Control & Test

Route: Main Screen → Main Menu → Maintenance → 2.7 Control & Test



Setting	Value
BATT TEST	10sec
BEEP ENABLE	ON
COMMON BATT	OFF
SMB	OFF

- BATT TEST:** Enable or disable battery test. There are three choices:
  - ABORT** – Cancels the battery deep discharge. Deep discharge can be aborted at any time during the battery discharge process.
  - DEEP** – Fully discharges the battery. Recommended following initial installation and annually thereafter to ensure correct run time values are displayed.
  - 10 SEC** – Discharges battery for 10 seconds. Recommended every 30 days.
- BEEP ENABLE:** Enable or disable buzzer.
- COMMON BATT:** If two UPS systems are sharing a common battery, the COMMON BATT setting must be turned on in both systems.
- SMB:** Synchronized Multiple Bus; contact Tripp Lite Technical Support for details.

### Language Setup

Route: Main Screen → Main Menu → Maintenance → 2.8 Language Setup



2.8 LANGUAGE SETUP  
LANGUAGE English

The default setting is English. Other display language options include French, German, Russian, Portuguese, Spanish, Turkish and Polish.

## 9. Optional Accessories

There are several optional accessories available for SmartOnline SUT-Series UPS systems. Please refer to the Tripp Lite website at [www.tripplite.com](http://www.tripplite.com) for all accessories, including communication, monitoring and associated battery cabinets for extended runtime.

## 10. Maintenance

### UPS

#### 1. UPS Cleaning:

Regularly clean the UPS, especially vents and openings, to ensure that air freely flows into the UPS to avoid overheating. If necessary, use canned compressed air to clean the vents and openings to prevent any object from blocking or covering these areas. Do not allow water to penetrate vents and openings during cleaning.

#### 2. UPS Regular Inspection:

Regularly check the UPS every six months and inspect:

- 1) Whether the UPS, LEDs and alarm function are operating normally.
- 2) Whether the UPS functions in Bypass Mode (typically, the UPS will work in Normal [On-line] Mode). If yes, check if any error, overload, internal fault, etc. occurs.
- 3) Whether battery voltage is normal. If the battery voltage is too high or too low, find the root cause.

### Battery

Tripp Lite's SmartOnline® 3-Phase UPS with Integrated Battery uses sealed lead-acid batteries. The battery life depends on operating temperature, usage, and charging/discharging frequency. High temperature environments and high charging/discharging frequency will quickly shorten the battery life. Please follow the suggestions below to ensure a normal battery lifetime.

1. Keep operating temperature between 68~77° (20~25°C).
2. When the UPS needs to be stored for an extended period of time, the batteries must be recharged once every three months and the charging time must not be less than 24 hours each time.

### Fan

Higher temperatures shorten fan life. When the UPS is running, please check if all fans work normally and make sure air can move freely around and through the UPS. If not, replace the fans.

**Note:** Contact Tripp Lite Technical Support for more maintenance information. Do not perform maintenance if not qualified to do so.

# 11. Troubleshooting

If the following alerts are shown on the LCD, follow the solutions listed below.

No.	Alarm Message	Possible Cause	Solution
1	SHORT CIRCUIT	Output has a short circuit issue.	Contact service personnel.
2	INVERTER FAIL	Inverter is damaged.	Contact service personnel.
3	OVER TEMPERATURE	The UPS temperature is too high.	1. Choose a well-ventilated area. 2. Decrease load on UPS. 3. Check if fans run normally. 4. Clean filters if installed.
4	PFC AMBIENT OVER TEMP FAIL	The UPS temperature is too high.	1. Choose a well-ventilated area. 2. Decrease load on UPS. 3. Check if fans run normally. 4. Clean filters if installed.
5	INVERTER SCR OPEN	Inverter SCR driver is abnormal.	Contact service personnel.
6	BYPASS SCR OPEN	Bypass SCR driver is abnormal.	Contact service personnel.
7	OVERLOAD	The UPS is overloaded.	Remove some unnecessary loads to let total load capacity below 95%.
8	FAN FAIL	Fans are damaged or stuck.	Contact service personnel.
9	BYPASS SCR SHORT FAIL	1. Bypass SCR driver is damaged. 2. Bypass SCR has a short circuit issue.	Contact service personnel.
10	INPUT SCR SHORT FAIL	1. Input SCR driver is damaged. 2. Input SCR has a short circuit issue.	Contact service personnel.
11	OUTPUT FUSE FAIL	Output fuse is broken.	Contact service personnel.
12	AUX POWER FAIL	Auxiliary power is damaged.	Contact service personnel.
13	INDUSTRY PROTECT	In industrial mode, output has an over current issue.	Check if output is normal.
14	BATTERY REVERSED	Batteries are connected in reverse.	Check the batteries' polarity.
15	INPUT PHASE SEQUENCE FAIL	Input phase sequence is wrong.	Check input phase sequence.
16	INVERTER SOFT START FAIL	1. Inverter detection is abnormal. 2. Inverter's driver is damaged.	Contact service personnel.
17	INNER COMMUNICATION FAIL	Inner communication cable is not well connected.	Contact service personnel.
18	PFC SUPERVISOR FAIL	PFC CPU is damaged.	Contact service personnel.
19	DC BUS HIGH SHUTDOWN	1. Output has abnormalities. 2. The UPS has internal faults.	Contact service personnel.
20	DC BUS LOW SHUTDOWN	1. Output has abnormalities. 2. The UPS has internal faults.	Contact service personnel.
21	INPUT FUSE FAIL	Input fuse is broken.	Contact service personnel.
22	INVERTER SUPERVISOR FAIL	Inverter CPU is damaged.	Contact service personnel.
23	PFC SOFT START FAIL	1. Rectifier tube is damaged. 2. Driver is damaged.	Contact service personnel.
24	BYPASS PHASE SEQUENCE FAIL	Bypass phase sequence is wrong.	Check bypass phase sequence.
25	NTC OPEN FAIL	1. NTC is not connected well. 2. NTC line is broken.	Contact service personnel.
26	INVERTER OUTPUT SCR SHORT	1. Inverter SCR driver is abnormal. 2. Inverter SCR is damaged.	Contact service personnel.
27	BATTERY LOW SHUTDOWN	Battery voltage is low.	Charge the batteries.
28	BATTERY LEVEL FAIL	Battery test result is abnormal	Contact Tripp Lite Technical Support

**Note:** If all possible causes are eliminated but the alarm still appears, contact Tripp Lite Technical Support.



# Appendix 1 : Technical Specifications

Model		SUT20K	SUT30K	SUT40K	SUT60K
<b>CAPACITY (conditional PF de-rating to 0.9)</b>		20kVA / 20kW	30kVA / 30kW	40kVA / 40kW	60kVA / 60kW
<b>TOPOLOGY</b>		Voltage and Frequency Independent (VFI) True On-Line Double Conversion			
<b>INPUT</b>					
Voltage		208/220V (Ph-Ph), 120/127V (Ph-N)			
Voltage Range		Range Full Load: 187~253VAC (Ph-Ph), 108~146VAC (Ph-N) Range Derated from 100% to 63% load: 125~187VAC (Ph-Ph), 72~108VAC (Ph-N)			
Phase		3-phase, neutral and ground			
Operating Frequency		50/60 Hz (selectable)			
Frequency Range		40~70 Hz			
Power Factor		>0.99%			
THDi		<4%			
Inverter Bridge		IGBT technology			
<b>OUTPUT</b>					
Voltage		208/220V (Ph-Ph), (3-ph, 4 wire, neutral reference to bypass neutral)			
AC Voltage Regulation		+/- 1%			
Power Factor		1			
Frequency		50/60 Hz (selectable)			
Frequency Range		+/- 0.05 Hz			
Overload	AC mode	105%: continuous			
		106 – 125%: 10 min.			
		126 – 150%: 1 min.			
		>150%: 1 sec.			
Crest Factor		3:1			
Harmonic Distortion		<3% (Linear load)			
Output Waveform		Pure sinewave			
<b>BYPASS</b>					
Automatic Bypass		Standard			
Manual Maintenance Bypass		Standard			
Transfer Time		<= 1ms			
Default Bypass Voltage Tolerance		±15%			
Overload		Refer to capability of Bypass Breaker			
<b>BATTERY</b>					
Battery Type		Maintenance-free sealed valve-regulated lead acid (VRLA)			
Battery Capacity	12V/9AH	12 x 4 strings	12 x 6 strings	12 x 6 strings	12 x 8 strings
Nominal Voltage		+/- 144V			
Float Voltage		+/- 163.2V (+/- 2V)			
Boost Voltage		+/- 168V (+/- 2V)			
End of Discharge Voltage		+/- 120V (+/- 2V)			
Battery Storage Time		6 months (without recharge, 77°F/25°C)			
Replacement Battery Cartridge (R.B.C.)		RBCSUT			
Battery Charger Capacity	Minimum	1A	1A	1A	1A
	Maximum	10A	10A	20A	20A
	Default	2A	3A	3A	4A

# Appendix 1 : Technical Specifications

Model	SUT20K	SUT30K	SUT40K	SUT60K
<b>ENVIRONMENT</b>				
Efficiency (Inverter Mode)	Up to 94%			
Efficiency (ECO Mode)	Up to 98%			
Operating Temperature	32~104°F (0~40°C)			
Storage Temperature (Excl. Battery Module)	5~140°F (-15~60°C)			
Operating Humidity	0 – 95% (non-condensing)			
Operating Altitude	<3,280 ft. (1000 m); 1% derating per 328 ft. (100 m) above 3,280 ft. (1000 m)			
Audible Noise	<65dBA	<65dBA	<70dBA	<70dBA
Protection Degree	IP20			
<b>MANAGEMENT</b>				
Multifunctional LCD	Standard			
RS232 (Serial)	Standard			
USB	Standard			
SNMP	Option			
Relay Interface	Standard			
EPO (Emergency Power Off)	Standard			
<b>STANDARDS</b>				
Safety	UL 1778, CSA C22.2 No. 107.3			
EMC	FCC Part 15 Class A (EMC)			
Surge	IEC/EN 61000-4-5 level 4			
Conduction Immunity	IEC/EN 61000-4-6			
Approvals	UL			
<b>BATTERY RUNTIME</b>				
50%/75%/100% load (min.)	15 / 9 / 5	15 / 9 / 6	11 / 6 / 3.5	9.5 / 5 / 3
<b>DIMENSIONS &amp; WEIGHTS</b>				
Dimensions (H x W x D)	54.3 x 20.5 x 31.5 in. (1380 x 521 x 800 mm)	54.3 x 20.5 x 31.5 in. (1380 x 521 x 800 mm)	69.3 x 20.5 x 31.5 in. (1760 x 521 x 800 mm)	69.3 x 20.5 x 31.5 in. (1760 x 521 x 800 mm)
Weight	794 lb. (360 kg)	926 lb. (420 kg)	1058 lb. (480 kg)	1235 lb. (560 kg)
Shipping Dimensions (H x W x D)	61.8 x 238.3 x 39.4 in. (1570 x 720 x 1000 mm)	61.8 x 238.3 x 39.4 in. (1570 x 720 x 1000 mm)	75.6 x 28.3 x 39.4 in. (1920 x 720 x 1000 mm)	75.6 x 28.3 x 39.4 in. (1920 x 720 x 1000 mm)
Shipping Weight	882 lb. (400 kg)	1014 lb. (460 kg)	1168 lb. (530 kg)	1345 lb. (610 kg)
Color	RAL 9005 (Black)			

**Notes:**

1. Please refer to the rating label for the safety rating.
2. All specifications are subject to change without prior notice.

## Appendix 2 : Warranty

### 1-Year Limited Warranty

Seller warrants this product, if used in accordance with all applicable instructions, to be free from original defects in material and workmanship for a period of 1-year from the date of initial purchase. If the product should prove defective in material or workmanship within that period, Seller will repair or replace the product, in its sole discretion. Service under this Warranty includes parts and Tripp Lite service center labor. On-site service plans are available from Tripp Lite through authorized service partners (in most areas). Visit [www.tripplite.com](http://www.tripplite.com) for details. International customers should contact Tripp Lite support at [intlservice@tripplite.com](mailto:intlservice@tripplite.com).

THIS WARRANTY DOES NOT APPLY TO NORMAL WEAR OR TO DAMAGE RESULTING FROM ACCIDENT, MISUSE, ABUSE OR NEGLIGENCE. SELLER MAKES NO EXPRESS WARRANTIES OTHER THAN THE WARRANTY EXPRESSLY SET FORTH HEREIN. EXCEPT TO THE EXTENT PROHIBITED BY APPLICABLE LAW, ALL IMPLIED WARRANTIES, INCLUDING ALL WARRANTIES OF MERCHANTABILITY OR FITNESS, ARE LIMITED IN DURATION TO THE WARRANTY PERIOD SET FORTH ABOVE; AND THIS WARRANTY EXPRESSLY EXCLUDES ALL INCIDENTAL AND CONSEQUENTIAL DAMAGES. (Some states do not allow limitations on how long an implied warranty lasts, and some states do not allow the exclusion or limitation of incidental or consequential damages, so the above limitations or exclusions may not apply to you. This Warranty gives you specific legal rights, and you may have other rights which vary from jurisdiction to jurisdiction).

Tripp Lite; 1111 W. 35th Street; Chicago IL 60609; USA

WARNING: The individual user should take care to determine prior to use whether this device is suitable, adequate or safe for the use intended. Since individual applications are subject to great variation, the manufacturer makes no representation or warranty as to the suitability or fitness of these devices for any specific application.

### Regulatory Compliance Identification Numbers

For the purpose of regulatory compliance certifications and identification, your Tripp Lite product has been assigned a unique series number. The series number can be found on the product nameplate label, along with all required approval markings and information. When requesting compliance information for this product, always refer to the series number. The series number should not be confused with the marketing name or model number of the product.

Tripp Lite has a policy of continuous improvement. Specifications are subject to change without notice.

### Note on Labeling

These symbols are used on the label:

- V~ AC Voltage
- V== DC Voltage
- ∅ Phase
- ⊕ Ground

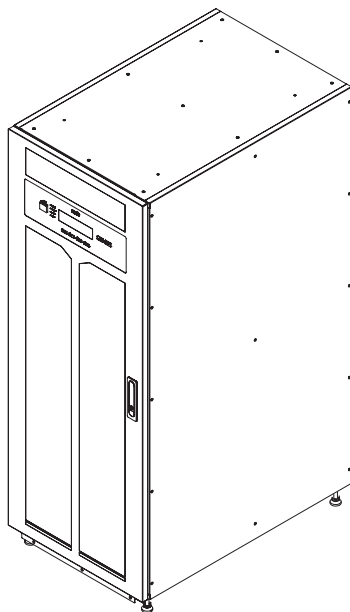


# Manual del Propietario

## **SUT SmartOnline®** **Sistema UPS Trifásico** **20/30/40/60kVA**

**Modelos: SUT20K, SUT30K, SUT40K, SUT60K**  
**AG-01F9, AG-01FA, AG-01FB, AG-01FC**

**Entrada: 120V / 127V (Fase-N)**  
**208V / 220V (Entre Fases), 3 Fases 4 Hilos + PE**



1111 W. 35th Street, Chicago, IL 60609 EE. UU. • [www.tripplite.com/support](http://www.tripplite.com/support)

Copyright © 2017 Tripp Lite. Todos los derechos reservados.

# Índice

<b>1. Introducción</b>	<b>46</b>
<b>2. Instrucciones de Seguridad Importantes</b>	<b>47</b>
2.1 Advertencias sobre la Colocación	47
2.2 Advertencias sobre la Conexión	47
2.3 Advertencias de Uso	47
2.4 Advertencias sobre el Almacenamiento	48
2.5 Glosario de Símbolos	48
2.6 Cumplimiento del Estándar	49
<b>3. Instalación y Cableado</b>	<b>49</b>
3.1 Advertencia de Seguridad Importante	49
3.2 Transportación	50
3.3 Entrega	50
3.4 Entorno de la Instalación	50
3.5 Instalación del UPS	51
3.6 Cableado	53
3.6.1 Precauciones Previas al Cableado	53
3.6.2 Procedimiento de Cableado	54
3.6.3 Cableado de Unidades en Paralelo	57
3.7 Precauciones para Conexión del Gabinete de Batería Externa	58
<b>4. Componentes del Sistema</b>	<b>60</b>
4.1 Apariencia y Dimensiones	60
4.2 Vista Frontal	60
4.3 Vista Frontal con la Puerta Abierta	61
4.4 Panel de Control	62
4.5 Panel Posterior	63
<b>5. Modos de Operación</b>	<b>65</b>
<b>6. Interfaces de Comunicación</b>	<b>68</b>
<b>7. Operación</b>	<b>72</b>
7.1 Conexión del UPS con Energía de CA de la Red Pública	72
7.2 Encender (Arranque del Inversor)	72
7.3 Apagar (Apagado del UPS)	72
7.4 Procedimiento de Arranque en Frío (Arranque por Batería)	72
<b>8. Pantalla LCD y Configuraciones</b>	<b>73</b>
8.1 Jerarquía de la Pantalla LCD	73
8.2 Menú de Configuración	75
8.3 Pantalla en Paralelo	78
8.4 Menú Principal	79
8.5 Medición	79
8.6 Mantenimiento	80
<b>9. Accesorios Opcionales</b>	<b>82</b>
<b>10. Mantenimiento</b>	<b>82</b>
<b>11. Solución de Problemas</b>	<b>83</b>
<b>Apéndice 1: Especificaciones Técnicas</b>	<b>84</b>
<b>Apéndice 1: Garantía</b>	<b>86</b>
<b>English</b>	<b>1</b>
<b>Français</b>	<b>87</b>

# 1. Introducción

El Sistema de Respaldo Ininterrumpible (UPS) SmartOnline Serie SUT de Tripp Lite es un Sistema UPS trifásico de doble conversión 100% en línea, con Voltaje y Frecuencia Independiente (VFI). El UPS acondiciona continuamente la alimentación de energía eléctrica, eliminando fluctuaciones e interrupciones en la energía que de otra forma dañarían los dispositivos electrónicos delicados y ocasionarían tiempo muerto.

El UPS aplica lo último en tecnología de control digital DSP y un factor de potencia de salida hasta la unidad. La eficiencia del UPS alcanza hasta 94% en operación normal y hasta 98% en el modo ECO, convirtiéndolo en uno de los más eficientes sistemas UPS de su clase. Además de suministrar energía limpia, confiable e ininterrumpida a dispositivos electrónicos delicados en todo momento, el SUT SmartOnline produce mayor eficiencia de energía a menor costo.

Con cuatro niveles diferentes de potencia – 20kVA, 30kVA, 40kVA y 60kVA – y con capacidad para conectar en paralelo hasta 4 unidades, el UPS ofrece múltiples opciones de capacidad para adaptarse a los requerimientos de la carga y ofrece las siguientes características:

- UPS 100% en línea. El más alto nivel de protección por UPS, regulando completamente la alimentación de energía y transfiriendo a la batería en caso de una falla prolongada de la energía de la red pública para soportar continuamente a las cargas críticas.
- Alta tecnología de modulación de frecuencia, completamente digital, que reduce el volumen de operación, mejora la confiabilidad y prolonga la vida útil.
- El amplio rango de voltaje de entrada de CA minimiza la transferencia frecuente de operación normal a modo de respaldo por batería, ahorrando consumo de batería y prolongando la vida de la misma.
- La alta eficiencia – pérdidas menores reducen los costos de enfriamiento y extienden la vida útil del sistema.
- Factor de potencia unitario de salida – más potencia real, permite soportar más equipo.
- El LCD programable permite a los usuarios configurar cómodamente los parámetros para el sistema UPS; las condiciones clave de operación son visibles mediante el LCD para un monitoreo claro y preciso.
- Comunicación serial, USB y de contactos libre de voltaje como estándar; opciones de SNMP y MODBUS para una capacidad óptima de configuración Monitoreo y administración del UPS mediante el software gratuito para administración de energía PowerAlert® de Tripp Lite. Descárguelo en [www.tripplite.com/poweralert](http://www.tripplite.com/poweralert).
- La detección automática del ventilador indica si los ventiladores están funcionando normalmente; el control de velocidad multi-nivel del ventilador mejora su confiabilidad y eficiencia, reduce el ruido de funcionamiento y prolonga la vida útil de los ventiladores.
- Se proporcionan cargas de refuerzo y en flotación. La corriente de carga es ajustable de 1A a 20A. El modo de carga está enlazado a la corriente de carga, manteniendo las baterías a capacidad de carga máxima y extendiendo la vida de las mismas (voltaje de carga en flotación: 163.2V CD; voltaje de carga de refuerzo: 168V CD).

El UPS SmartOnline SUT está diseñado idealmente para proteger equipo crítico para:

- Centros de datos
- Telecomunicaciones
- Sistemas de redes informáticas
- Equipo para tratamiento médico
- Sistemas de monitoreo
- Industria Ligera
- Instituciones financieras

## 2. Instrucciones de Seguridad Importantes

### CONSERVE ESTAS INSTRUCCIONES

Este manual contiene instrucciones y advertencias que deben seguirse durante la instalación, operación y almacenamiento de este producto. La omisión en la observancia de estas instrucciones y advertencias puede afectar la garantía del producto.

### 2.1 Advertencias sobre la Colocación

Instalar el UPS en un área interior bien ventilada, lejos de exceso de humedad, calor, polvo, gases inflamables o explosivos. Deje espacio adecuado alrededor del UPS para una ventilación apropiada. Consulte **3.4 Entorno de Instalación**.

### 2.2 Advertencias sobre la Conexión

- El UPS debe estar bien conectado a tierra debido a un posible riesgo de fuga de corriente.
- Es necesario instalar dispositivos de protección y contactores de 4 polos cuando el UPS esté conectado a la red y fuente de derivación. Para información relevante, consulte **3.6.1 Precauciones Previas al Cableado**.
- Los dispositivos de protección que se conectan al UPS deben ser instalados cerca del UPS y deben ser fácilmente accesibles para la operación.

### 2.3 Advertencias de Uso



#### ADVERTENCIA:

A fin de evitar cualquier condición riesgosa durante la instalación y mantenimiento del UPS, estas tareas debe ejecutarlas un ingeniero autorizado por Tripp Lite. Para que la garantía sea válida deben seguirse los procedimientos de arranque apropiados. Para más información, póngase en contacto con Tripp Lite.

- Este es un producto Clase A. En un ambiente doméstico, este producto puede causar radio interferencia, en cuyo caso puede requerirse al usuario tomar medidas adecuadas.
- No se recomienda el uso de este equipo en aplicaciones de soporte de vida en donde la falla de este equipo pueda razonablemente causar la falla del equipo de soporte de vida o afectar significativamente su seguridad o efectividad.
- Si el UPS necesita conectarse a una carga de motor, debe confirmarse por personal de servicio calificado.
- Los sistemas UPS en paralelo pueden conectarse con baterías comunes. Antes de conectar las baterías en paralelo, asegúrese por favor de que la diferencia de voltaje entre cada UPS es inferior a 5V CD.
- Las ventilas o aberturas externas en el UPS están provistas para ventilación. Para garantizar la operación confiable del UPS y para proteger al UPS contra sobrecalentamiento, no deben bloquearse ni cubrirse estas ventilas y aberturas. No inserte objeto alguno en las ventilas y aberturas que puedan dificultar la ventilación.
- En un ambiente de baja temperatura (inferior a 0 °C/32 °F), debe permitir que el UPS se ajuste a la temperatura ambiente por al menos una hora antes de usarlo para evitar la humedad de condensación dentro del UPS.
- No coloque recipientes de bebidas u otros líquidos sobre el UPS, gabinete de la batería o cualquier otro accesorio asociado al UPS.
- El riesgo de alto voltaje peligroso es posible cuando las baterías permanezcan conectadas al UPS a pesar de que el UPS está desconectado de la red. No olvide desconectar los cables de la batería para completar la interrupción de la fuente de batería. Para información adicional sobre el mantenimiento de la batería, consulte **4.3 Vista Frontal con la Puerta Abierta**.
- Todos los servicios de mantenimiento deben ser ejecutados por personal de servicio calificado. Para evitar el riesgo de descarga eléctrica de alto voltaje, no abra ni retire la cubierta del UPS.
- No abra ni mutile la(s) batería(s). El electrolito liberado es dañino a la piel y ojos y puede ser tóxico.
- No deseche la(s) batería(s) en el fuego. Las baterías pueden explotar.
- Las baterías contienen sustancias químicas que pueden poner en peligro o contaminar nuestro medio ambiente. Por favor, póngase en contacto con el proveedor mostrado en las baterías para desechar correctamente las baterías.
- Una batería puede presentar un riesgo de descarga eléctrica y alta corriente de cortocircuito. Antes de reemplazar las baterías deben observarse las siguientes precauciones:
  1. Retire relojes, anillos u otros objetos metálicos.
  2. Use herramientas con mangos aislados.
  3. Utilice guantes y botas aislantes.
  4. No coloque herramientas o partes metálicas sobre la parte superior de las baterías.
  5. Desconecte la fuente de carga antes de conectar o desconectar las terminales de la batería.
- Si ocurre cualquiera de los siguientes eventos, póngase en contacto con personal de servicio calificado:
  1. Se derrama o salpica líquido sobre el UPS.
  2. El UPS no funciona normalmente después de que las instrucciones en este Manual del Propietario se observan cuidadosamente.

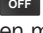

## 2. Instrucciones de Seguridad Importantes

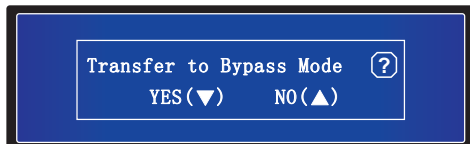
### 2.4 Advertencias sobre el Almacenamiento

#### Previo a la Instalación
















Si el UPS debe almacenarse antes de la instalación, debe colocarse en un lugar seco. La temperatura de almacenamiento permisible es entre -15~40 °C (5~104 °F).

#### Después del Uso

Oprima una vez la tecla **OFF** (  ) y el LCD mostrará la pantalla abajo a continuación. Para apagar el UPS oprima la tecla **DOWN** (  ). Asegúrese de que el UPS esté en modo de derivación, desconecte el UPS de la energía de la red pública, abra los portafusibles de la batería interna (consulte **4.3 Vista Frontal con la Puerta Abierta**), retire todo el equipo del UPS y guarde el UPS en un área seca y bien ventilada a una temperatura entre -15~40 °C (5~104 °F). Si necesita almacenar el UPS por un período prolongado, las baterías en reposo deben recargarse completamente cada tres meses aproximadamente. El tiempo de carga no debe ser inferior a 24 horas cada vez.



### 2.5 Glosario de Símbolos

Nº	Símbolo	Descripción
1	 <b>NORMAL</b>	LED indicador de modo en línea: verde
2	 <b>BATTERY</b>	LED indicador de modo de respaldo por batería: Amarillo
3	 <b>BYPASS</b>	LED indicador de modo en derivación: Amarillo
4	 <b>FAULT</b>	LED indicador de falla: rojo
5	 <b>ON</b>	Tecla ON [Encendido]
6	 <b>OFF</b>	Tecla OFF [Apagado]
7	 <b>ESC</b>	Regresa a la pantalla anterior o cancela la selección actual.
8	 <b>▼</b>	Desplaza hacia abajo / Reduce número
9	 <b>▲</b>	Desplaza hacia arriba / Incrementa número
10	 <b>←</b>	Confirma la selección
11	 <b>EPO</b>	Tecla EPO
12	R	Fase R de entrada de CA / salida del UPS
13	S	Fase S de entrada de CA / salida del UPS
14	T	Fase T de entrada de CA / salida del UPS
15	N	Línea neutra de entrada / línea neutra de salida / línea neutra de batería
16		Para conexión a tierra del UPS
17		Para conexión a tierra de la carga crítica / Para conexión a tierra del gabinete de batería externa
18		Terminal positiva de la batería
19		Terminal negativa de la batería



## 2. Instrucciones de Seguridad Importantes

### 2.6 Cumplimiento del Estándar

Este producto cumple con las siguientes normas de seguridad y estándares de inspección de compatibilidad electromagnética (EMC):

- UL 1778
- CSA C22.2 N° 107.3
- FCC Parte 15 Clase A (EMC)
- GB17626-2 / IEC 61000-4-2 (ESD) Nivel 4
- GB17626-3 / IEC 61000-4-3 (Campo Radiado) Nivel 3
- GB17626-4 / IEC 61000-4-4 (EFT) Nivel 4
- GB17626-5 / IEC 61000-4-5 (Sobretensión) Nivel 4

## 3. Instalación y Cableado

### 3.1 Advertencia de Seguridad Importante

Lea detenidamente este manual antes de realizar cualquier instalación y cableado. Un ingeniero autorizado por Tripp Lite debe ejecutar el arranque del UPS y debe regresarse un formato completado del arranque a Tripp Lite a fin de activar la garantía del SUT SmartOnline. Para detalles adicionales, póngase en contacto con su proveedor local o [intlservice@tripplite.com](mailto:intlservice@tripplite.com). Para ubicar a su contacto local, vaya a [www.tripplite.com/support/contacts](http://www.tripplite.com/support/contacts) y haga click en 'Centros de Servicio'.

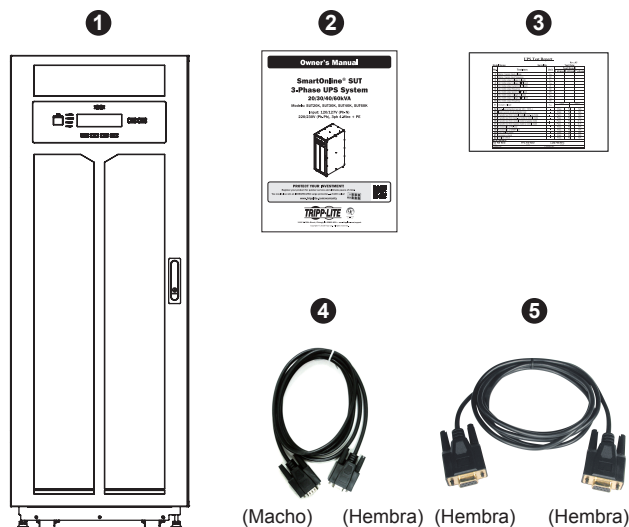
#### Inspección del Paquete

##### Externo

Inspeccione el empaque exterior del UPS. Si se observa algún daño, comuníquese inmediatamente con el distribuidor donde compró el UPS.

##### Interno

1. Compruebe la etiqueta de clasificación en la parte superior del gabinete del UPS y compruebe que el número de dispositivo y la capacidad coincidan con lo que usted pidió.
2. Examine si hay partes flojas o dañadas.
3. El paquete del UPS contiene los elementos que aparecen a continuación. Por favor, compruebe si faltan elementos.
4. Si algo está dañado o faltante, comuníquese inmediatamente con el distribuidor donde compró el UPS.
5. Si el UPS debe ser devuelto, cuidadosamente re-empaque el UPS y todos los accesorios usando el material original de embalaje incluido con la unidad.



N°	Rubro	SUT20K	SUT30K	SUT40K	SUT60K
1	UPS (con baterías internas)	1 pieza	1 pieza	1 pieza	1 pieza
2	Manual del Propietario	1 pieza	1 pieza	1 pieza	1 pieza
3	Tarjeta de Prueba	1 pieza	1 pieza	1 pieza	1 pieza
4	Cable RS-232 (Macho/Hembra)	1 pieza	1 pieza	1 pieza	1 pieza
5	Cable Paralelo (Hembra/Hembra)	1 pieza	1 pieza	1 pieza	1 pieza

#### Notas:

1. Los soportes de balance han sido asegurados en la tarima cuando el UPS se embarcó de la planta. Manténgalos en buen estado después de desembalar, ya que puede ser necesario utilizarlos para la instalación.

## 3. Instalación y Cableado

### 3.2 Transportación



#### ADVERTENCIA

El UPS está empacado sobre una tarima que puede ser manejada con un montacargas. Si usa un montacargas u otro equipo para mover el UPS, asegure que su capacidad de carga sea suficiente para soportar el peso total del empaque del UPS.

El UPS se sujeta a la tarima con cuatro soportes de balance. No deseche los soportes de balance, ya que pueden requerirse para la instalación (consulte la sección **3.5 instalación del UPS**). Al removerlos, tenga cuidado con el movimiento de las ruedas para evitar accidentes.

El gabinete del UPS puede ser empujado hacia adelante o hacia atrás; no se puede mover hacia los lados.

Si se desplaza el UPS a larga distancia, utilice equipo adecuado como un montacargas; No mueva el gabinete del UPS sobre sus ruedas por largas distancias, mueva el gabinete del UPS en su embalaje original hasta el sitio de destino final.

### 3.3 Entrega

Inspeccione cuidadosamente a la entrega los materiales de embalaje y el gabinete del UPS. No instale un UPS dañado, ni lo conecte a una batería ni a la red pública. La caja de empaque del UPS está equipada con un dispositivo anti-vuelco. Confirme que el dispositivo no indique impacto o inclinación excesiva durante el tránsito. Si el dispositivo indica que ha habido impactos o inclinación excesivos, no instale y póngase en contacto con su representante local de Tripp Lite.

### 3.4 Entorno de Instalación

- El UPS está diseñado para uso en interiores solamente. No coloque o instale el UPS en un área al aire libre.
- Cuando mueva el UPS a su lugar de instalación, asegure que todos los corredores, puertas, puertas, ascensores, plantas, etc., son capaces de adaptarse y soportar el peso total del sistema UPS, cualquier gabinete de batería asociado y todo el equipo de manejo. Para consultar los pesos combinados, vea el **Apéndice 1**.
- El lugar de instalación debe tener un circuito dedicado de CA disponible, compatible con los requisitos de entrada del sistema UPS. Para consultar las especificaciones de entrada, vea el **Apéndice 1**.
- Garantice que el área de instalación tenga suficiente espacio para mantenimiento y ventilación del sistema UPS.
- Mantenga la temperatura de la zona de instalación por debajo de 30 °C [86 °F] y el nivel de humedad por debajo del 90%. La altitud de funcionamiento máxima es de 1982 m [6500 pies] sobre nivel del mar. Por favor considere los valores de reducción al utilizar el UPS sobre 1000 m [3300 pies]; refiérase al Apéndice 1. La temperatura óptima de funcionamiento para las baterías es entre 20 °C ~ 25 °C [68 °F ~ 77 °F].
- El UPS debe estar ubicado en un ambiente con aire limpio y ventilación adecuada para mantener la temperatura dentro del rango de funcionamiento del UPS.
- El UPS es enfriado por aire con la ayuda de ventiladores internos. No cubra las aberturas de ventilación del sistema UPS.
- Instale el UPS en un área en la que las paredes, pisos y techos están construidos con materiales incombustibles. El UPS es adecuado para instalarse únicamente en concreto u otras superficies incombustibles.
- Instale un extintor de CO<sub>2</sub> o polvo seco en el área de instalación.
- Asegurar que el área de instalación tenga las dimensiones adecuadas para el mantenimiento y ventilación:
  - o Mantenga un espacio libre de 91 cm [3 pies] al frente del UPS.
  - o Mantenga un espacio libre de 50 cm [1.64 pies] en la parte posterior y ambos lados del UPS.

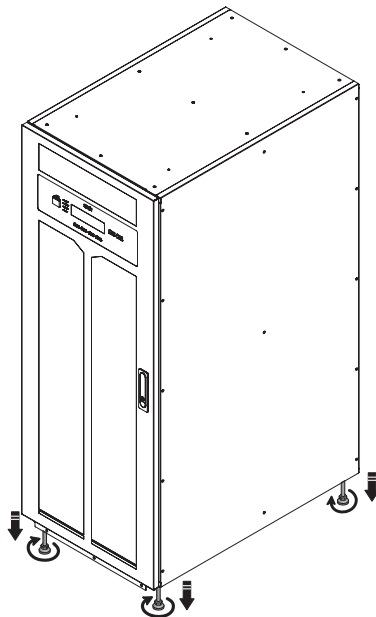
## 3. Instalación y Cableado

### 3.5 Instalación del UPS

Existen dos métodos de instalación. Uno es con los soportes de balance y el otro es sin ellos.

#### Instalación sin los Soportes de Balance

Después de desplazar el UPS a su área de instalación final, use los niveladores para estabilizar el gabinete del UPS en el suelo.

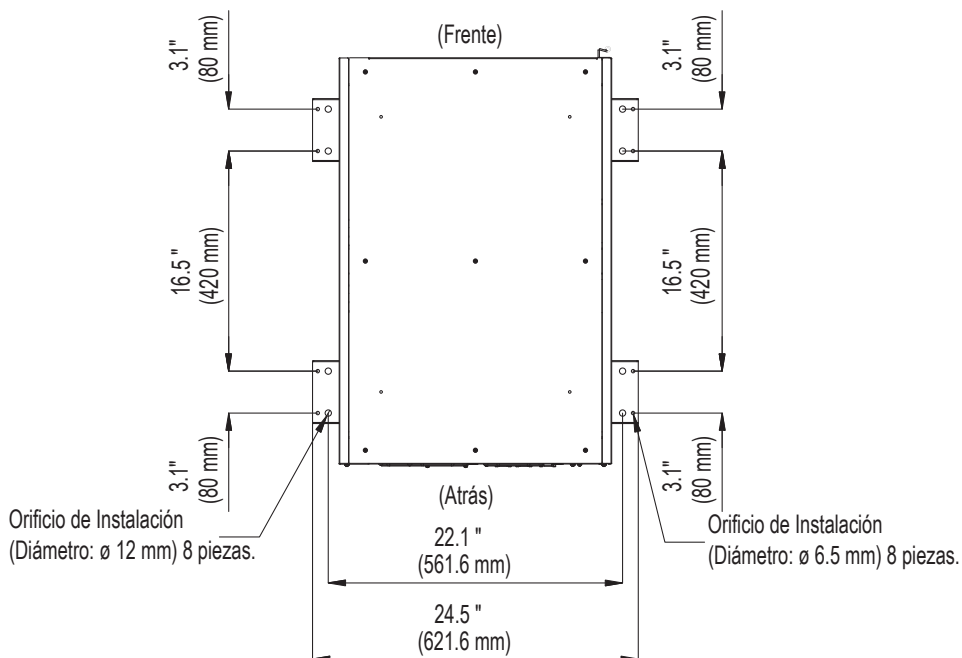


(Figura 3-1: Estabilice el UPS con los Niveladores)

#### Instalación con los Soportes de Balance

Siga estos pasos para reinstalar los soportes de balance retirados del UPS durante el proceso de desempacado:

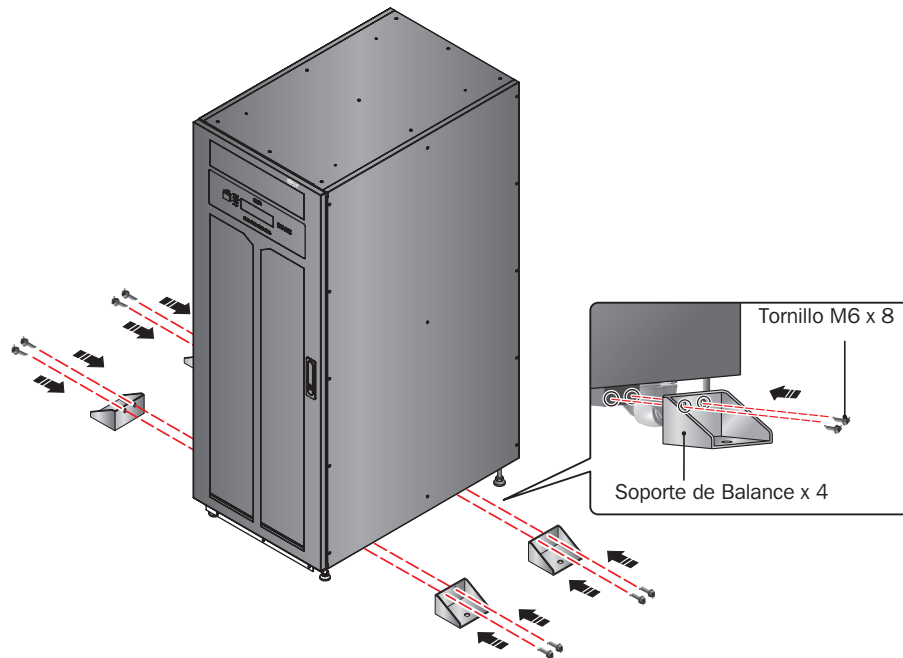
- 1 Una vez seleccionada el área de instalación, siga el diagrama de orificios de instalación para perforar los orificios.



(Figura 3-2: Diagrama de Oorificios de Instalación )

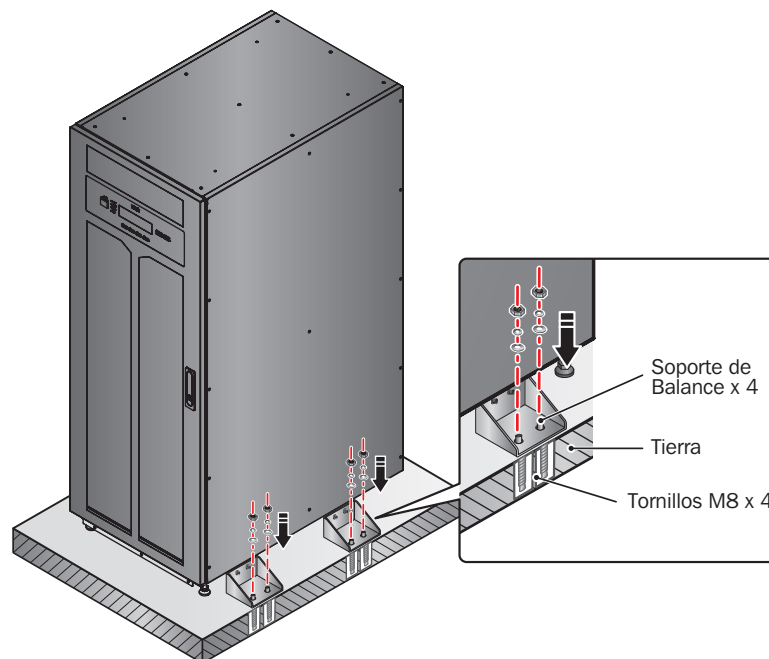
### 3. Instalación y Cableado

- 2 Coloque el UPS sobre los orificios perforados, utilice los niveladores para estabilizar el UPS en el suelo y los tornillos M6 para volver a instalar en el UPS los soportes de balance (que fueron retirados del UPS durante el proceso de desempacado). Consulte la figura siguiente.



(Figura 3-3: Instalación de Soporte de Balance)

- 3 Utilice cuatro tornillos M8 suministrados por el usuario para fijar los cuatro soportes de balance en el suelo para evitar movimiento del UPS.



(Figura 3-4: Fije los Soportes de Balance en el Suelo)

## 3. Instalación y Cableado

### 3.6 Cableado

#### 3.6.1 Precauciones Previas al Cableado

- El cableado debe ser ejecutado por personal profesional calificado.
- Antes de cablear o de realizar cualquier conexión eléctrica, asegúrese de que la energía suministrada a la entrada y salida del UPS esté totalmente cortada y estén desconectados los conectores de la batería interna.
- Cuando se conecte el UPS a la energía de CA de la red pública, deben instalarse dispositivos protectores y conectores de 4 polos. Los dispositivos protectores y conectores de 4 polos deben usar componentes aprobados que cumplan con certificaciones de seguridad. Refiérase por favor a la siguiente tabla para consultar los dispositivos protectores sugeridos. Para la instalación de los dispositivos protectores y conectores de 4 polos, vea las Figuras 3-10~3-18.

Sistema UPS	Dispositivo Protector Recomendado
SUT20K	Breaker de 75A Curva D
SUT30K	Breaker de 125A Curva D
SUT40K	Breaker de 150A Curva D
SUT60K	Breaker de 225A Curva D

- Al conectar las cargas críticas al UPS, debe instalarse entre ellos un breaker certificado listado. Refiérase a la tabla siguiente

Sistema UPS	Breaker de 3 Polos Recomendado
SUT20K	Breaker de 75A Curva C
SUT30K	Breaker de 125A Curva C
SUT40K	Breaker de 150A Curva C
SUT60K	Breaker de 225A Curva C

- Compruebe que el tamaño, diámetro, fase y polaridad de cada cable que conecta al UPS sea correcto. Para consultar las especificaciones de los cables y breakers de entrada / salida, refiérase a la **Tabla 3-1**.

**Tabla 3-1: Especificaciones de Cables y Breakers de Entrada / Salida**

	SUT20K	SUT30K	SUT40K	SUT60K
Cable de Entrada de CA*	2 AWG (25 mm <sup>2</sup> )	1/0 AWG (50 mm <sup>2</sup> )	3/0 AWG (95 mm <sup>2</sup> )	250 kcmil (120 mm <sup>2</sup> )
Cable de Salida*	2 AWG (25 mm <sup>2</sup> )	1/0 AWG (50 mm <sup>2</sup> )	3/0 AWG (95 mm <sup>2</sup> )	250 kcmil (120 mm <sup>2</sup> )
Cable de Entrada de Batería*	1 AWG (35 mm <sup>2</sup> )	1/0 AWG (50 mm <sup>2</sup> )	3/0 AWG (95 mm <sup>2</sup> )	250 kcmil (120 mm <sup>2</sup> )
Torsión de Apriete	1.5 kg/m [130 in lb]	1.5 kg/m [130 in lb]	1.5 kg/m [130 in lb]	1.5 kg/m [130 in lb]
Breaker de Alimentación	75A (3 polos x 1)	125A (3 polos x 1)	150A (3 polos x 1)	225A (3 polos x 1)

\* Use solo cable de cobre especificado para 90 °C (194 °F) o mayor

#### Notas:

1. De acuerdo con los **códigos eléctricos locales**, instale un conducto y buje adecuado.
  2. Por favor, consulte los códigos eléctricos nacionales y locales para los breakers sin fusible y el tamaño del cable aceptables.
  3. Se sugieren cables con material de PVC y resistencia de la temperatura hasta 105 °C [201 °F].
  4. Asegúrese de que los cables de entrada / salida están cerrados herméticamente.
- Cuando conecte con el gabinete de la batería externa, confirme la polaridad. No invierta la polaridad.
  - El cable de conexión a tierra del gabinete de la batería externa debe conectarse a la terminal (⊕) del bloque de terminales de la batería.
  - El instalador debe considerar la corriente máxima y el calibre de cableado que pueda necesitar para una futura expansión de configuraciones en paralelo.
  - La entrada del UPS debe ser una conexión en Y y el neutro (N) debe estar conectado para evitar una falla del UPS. No conecte el neutro (N) del UPS con la terminal de tierra (⊕).
  - Si existe un voltaje flotante entre el neutro de la alimentación (N) y la conexión a tierra (⊕) y usted requiere que el VNG del UPS deba ser cero, se sugiere instalar un transformador en frente del lado de entrada del UPS y el neutro (N) del UPS debe ser conectado con la tierra (⊕).
  - La alimentación de CA de la red pública debe ser trifásica (R, S, T) y cumplir las especificaciones de la etiqueta del UPS. Al conectar la alimentación de la red pública al UPS, cerciórese de que esté en secuencia de fase positiva, (rotación de fase en sentido de las manecillas del reloj).
  - Conecte la terminal de tierra del gabinete de la batería externa a la terminal de tierra (⊕) del bloque de terminales de la batería del sistema UPS. No conecte la terminal de tierra del gabinete de la batería externa a algún otro sistema de conexión a tierra.
  - La terminal de tierra (⊕) del UPS debe ser conectada a tierra. Use terminales de tipo anillo para el cableado.

# 3. Instalación y Cableado



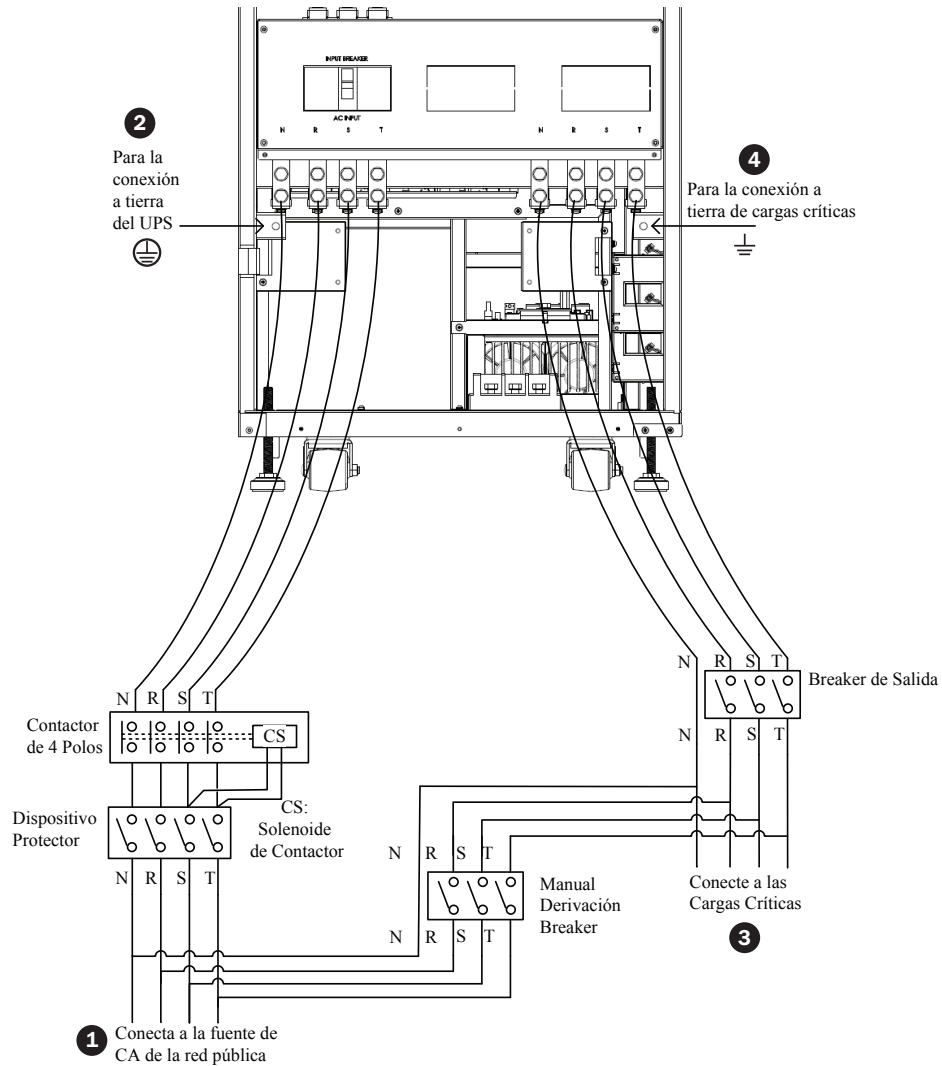
## ADVERTENCIA:

1. Un cableado incorrecto causará una severa descarga eléctrica y dañará al UPS.
2. El UPS no trabajará normalmente si el neutro de la alimentación (N) no está firmemente conectado a la terminal neutra (N) del Bloque de Entrada de CA.

### 3.6.2 Procedimiento de Cableado

Nota: Previo al cableado, lea las 3.6.1 Precauciones Previas al Cableado.




- 1 Retire la placa de cubierta para acceder al bloque de terminales de cableado mostrado en la Figura 3-5.



(Figura 3-5: Diagrama de Cableado de Una Sola Unidad)

## 3. Instalación y Cableado

2) Asegúrese de entender claramente las funciones del bloque de terminales de cableado mostrado en la *Figura 3-5*.

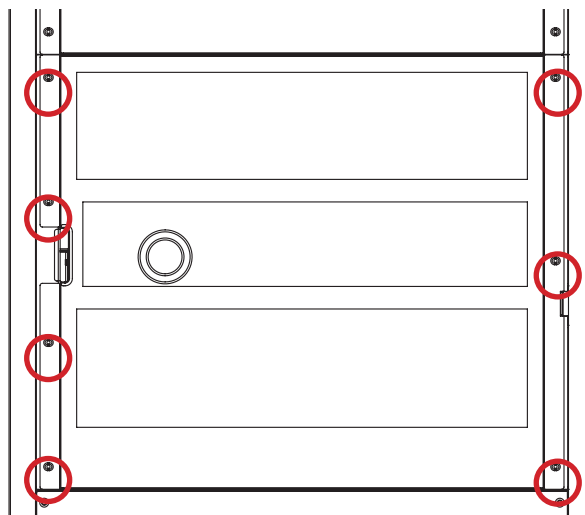
Nº	Rubro	Función	Descripción
1	Bloque de Terminales de Alimentación de CA	Conecta la fuente de CA de la red pública	Incluye terminales trifásicas (R, S, T) y neutra (N)
2		Para la conexión a tierra del UPS	Incluye una terminal de tierra
3	Bloque de Terminales de Salida del UPS	Conecta las cargas críticas	Incluye terminales trifásicas (R, S, T) y neutra (N)
4		Para la conexión a tierra de las cargas críticas	Incluye una terminal de tierra
5	Bloque de Terminales de Entrada de la Batería	Conecta un gabinete de batería externa	Incluye tres terminales, positivo (+), neutro (N) y negativo (-)
6		Para una conexión a tierra del gabinete de batería externa	Incluye una terminal de tierra

3) Confirme que el voltaje especificado del UPS sea 120V / 208V CA o 127V / 220V CA y el voltaje especificado de la batería sea  $\pm 144V$  CD.

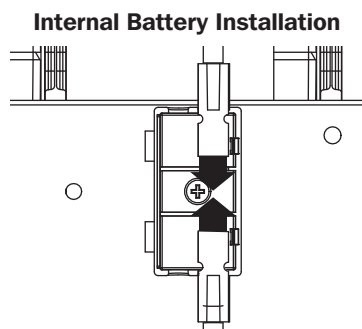
4) Confirme que el breaker de entrada esté en la posición **OFF**. Para la posición de cada breaker, refiérase a panel frontal de la unidad.

5) Seleccione los cables apropiados de entrada y salida de acuerdo con la capacidad del UPS (refiérase a la **Tabla 3-1**).

6) Abierta la puerta frontal del UPS para desatornillar y retirar el panel etiquetado "Battery Compartment" [Compartimento de la Batería].

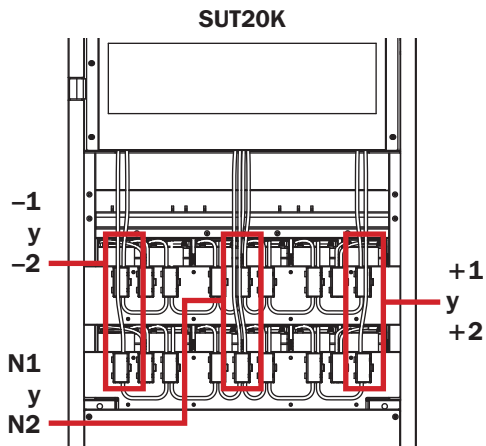


7) El sistema UPS se embarca con los cables de la batería desconectados. Retire la cinta de aislar que cubre los cables rojos BAT(+) y reconecte a las terminales (Figura 3-6). Para la instalación de la batería correspondiente a cada modelo, refiérase a las Figuras 3-7~3-10.



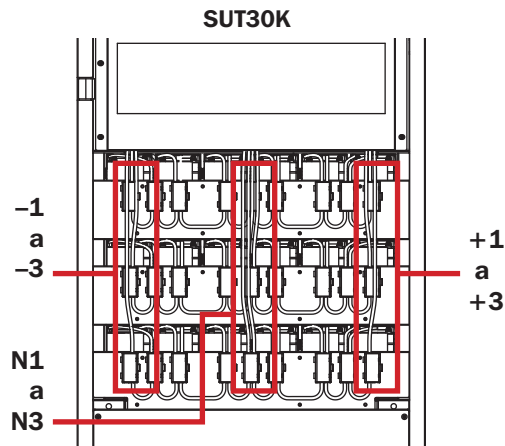
(Figura 3-6: Conexión del cable de la batería)

### 3. Instalación y Cableado



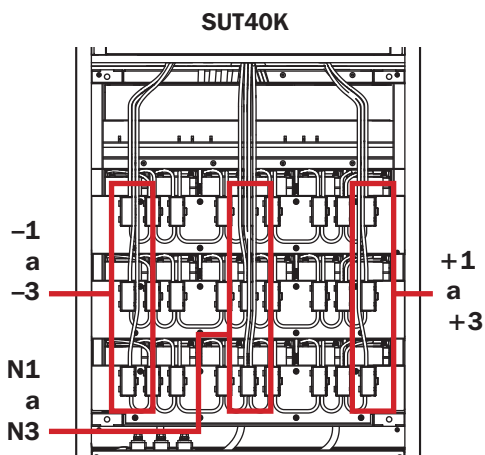
(Figura 3-7)

Conecte primero los cables -1 y -2 en la izquierda, a continuación, los cables +1 y +2 a la derecha.



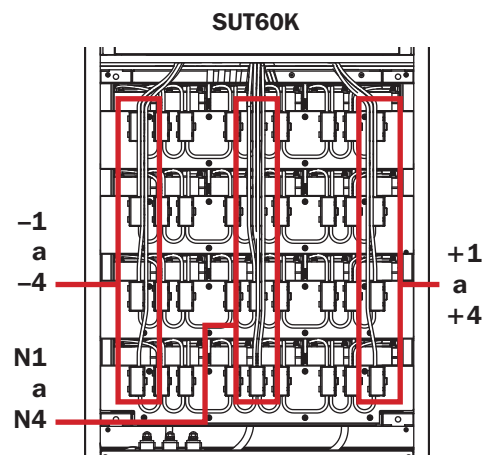
(Figura 3-8)

Conecte primero los cables -1, -2 y -3 en la izquierda, a continuación, los cables +1, +2 y +3 a la derecha.



(Figura 3-9)

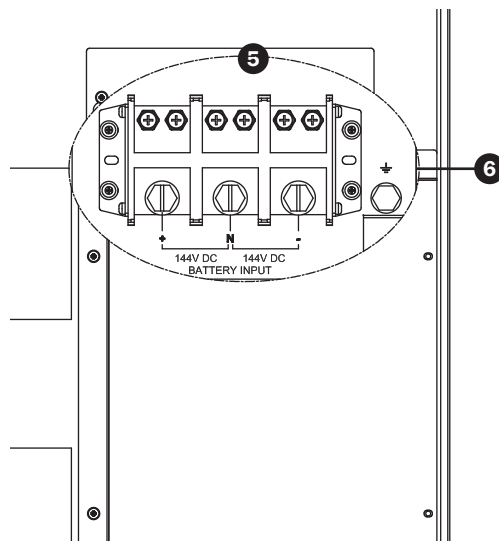
Conecte primero los cables -1, -2 y -3 en la izquierda, a continuación, los cables +1, +2 y +3 a la derecha.



(Figura 3-10)

Conecte primero los cables -1, -2, -3 y -4 en la izquierda, a continuación, los cables +1, +2, +3 y +4 a la derecha.

- 8 Conecte la batería externa opcional con el bloque de terminales del gabinete de la batería externa ubicado en la parte inferior derecha de la unidad (consulte la Figura 3-11).



(Figura 3-11: Conecte una batería externa [opcional] al bloque de terminales del gabinete de la batería externa).



# 3. Instalación y Cableado

## 3.6.3 Cableado de Unidades en Paralelo

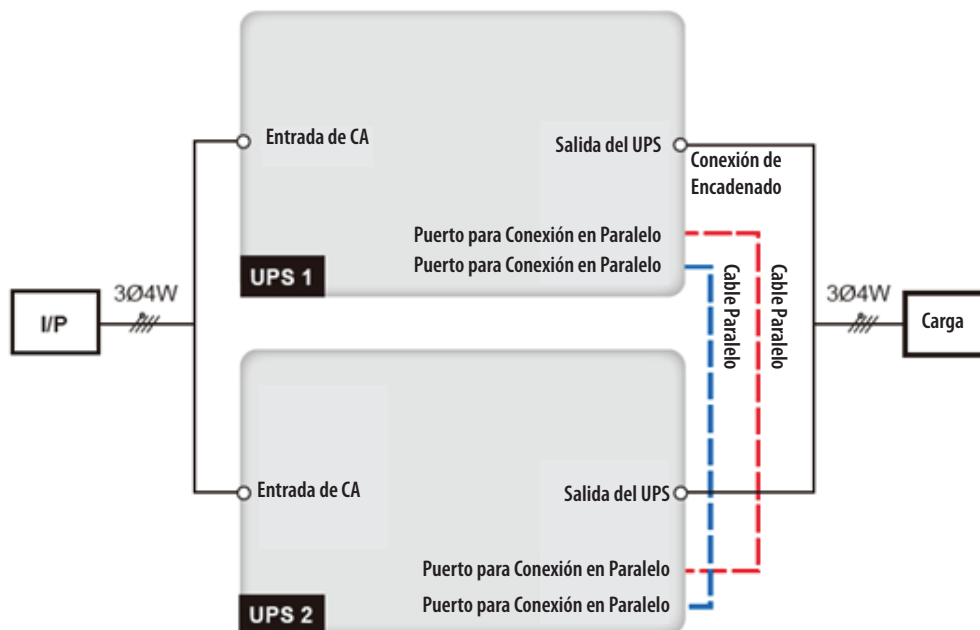
**Nota:** Previo al cableado, lea **3.6.1 Precauciones Previas al Cableado**.

- 1 Siga los pasos 1 ~ 5 en la sección **3.6.2 Procedimiento de Cableado**.
- 2 El sistema UPS se embarca con los cables de la batería desconectados. Localice los cables de conexión de la batería detrás de la puerta del conector etiquetada en el gabinete. Conecte los cables del gabinete de la batería al bloque de terminales de cableado y asegúrese de que el sistema UPS está correctamente conectado a tierra (refiérase a las figuras 3-6 ~ 3-10).
- 3 Use el cable en paralelo suministrado para conectar los puertos en paralelo en las unidades en paralelo. Para consultar la ubicación del puerto en paralelo, vea la *Figura 6-1*.
- 4 Refiérase a **6. Interfaces de Comunicación** para configurar el switch de conexión en paralelo en la posición **ON** u **OFF**.
- 5 Siga los pasos 7 ~ 8 en la sección **3.6.2 Procedimiento de Cableado**.



### ADVERTENCIA:

1. Cuando se conectan en paralelo los sistemas UPS, la longitud de los cables de entrada/cables de salida de cada unidad debe ser igual. Esto asegura que los sistemas UPS conectados en paralelo puedan compartir por igual las cargas de los equipos en modo de derivación.
2. Solo sistemas UPS con la misma capacidad, voltaje y frecuencia pueden conectarse en paralelo; de lo contrario, fallará la conexión en paralelo.
3. Antes de arrancar las unidades en paralelo, personal de servicio calificado debe establecer la ID (0, 1, 2 o 3) mediante el LCD. De lo contrario, los sistemas UPS no pueden arrancar. Si aparece el símbolo '!' después de un número de ID, indica que hay un conflicto entre números de ID.



(Figura 3-12: Diagrama de Cableado de Unidades en Paralelo)

## 3. Instalación y Cableado

### 3.7 Precauciones para Conexión de Gabinete de Batería Externa



#### ADVERTENCIA:

1. Conecte las cargas al UPS solo después de que las baterías estén completamente cargadas. Esto garantiza que el UPS pueda proporcionar suficiente energía de respaldo a las cargas conectadas cuando ocurra una falla del suministro eléctrico.
2. Cuando se usan las baterías internas del UPS y baterías externas, asegure que la diferencia de voltaje sea <math><5V CD.</math>

#### Batería

1. Voltaje de Carga
  - 1) Voltaje en flotación:  $\pm 163.2V CD$  (predeterminado)
  - 2) Voltaje de refuerzo:  $\pm 168V CD$  (predeterminado)
2. Corriente de Carga
  - 1) Mínimo: SUT20K/SUT30K/SUT40K/SUT60K  $\rightarrow 1A$
  - 2) Máximo: SUT20K  $\rightarrow 10A$   
SUT30K / SUT40K / SUT60K  $\rightarrow 20A$
  - 3) Predeterminado: SUT20K  $\rightarrow 5A$   
SUT30K  $\rightarrow 7.5A$   
SUT40K  $\rightarrow 7.5A$   
SUT60K  $\rightarrow 10A$
3. Apagado por Batería Baja:  $120V CD$  (predeterminado:  $120V CD$ )
4. Número de Baterías: SUT20K  $\rightarrow 48$  piezas.  
SUT30K  $\rightarrow 72$  piezas.  
SUT40K  $\rightarrow 72$  piezas.  
SUT60K  $\rightarrow 96$  piezas.

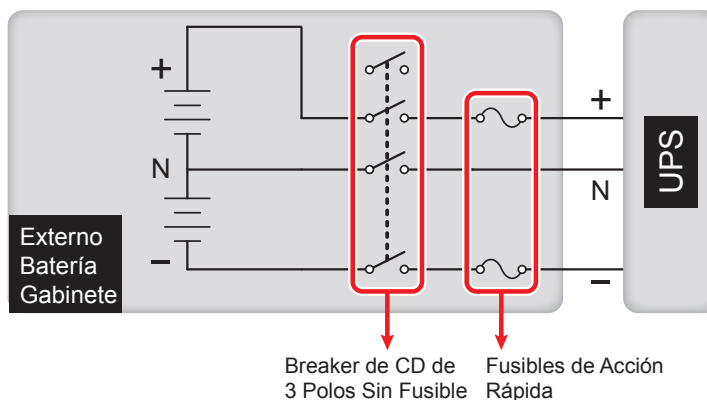
#### Notas:

1. La corriente de carga es ajustable desde  $1A$  a  $20A$  máximo en incrementos de  $0.5A$ .
  2. Para modificar la configuración predeterminada de la corriente de carga o la configuración predeterminada de apagado por batería baja, póngase en contacto con su distribuidor o personal de servicio local.
- Use solamente el mismo tipo de baterías del mismo proveedor. Nunca combine al mismo tiempo baterías viejas con nuevas o de diferente Ah.
  - El número de baterías debe cumplir los requerimientos del UPS.
  - No conecte las baterías con la polaridad invertida.
  - Cuando conecte al UPS un gabinete de batería externa que no sea de Tripp Lite, es necesario instalar un breaker CD sin fusible y fusibles de acción rápida apropiados (Cuando se produce un corto circuito la corriente de fusión debe ser de 5 a 6 veces el valor del fusible de la batería).
  - Para ampliar el tiempo de respaldo por batería, conecte algunos gabinetes de batería externa al UPS.
- Nota:** Se extenderá el tiempo de recarga; tenga en cuenta la capacidad del cargador.
- Para ampliar el tiempo de respaldo por batería, pueden conectarse baterías externas al UPS.

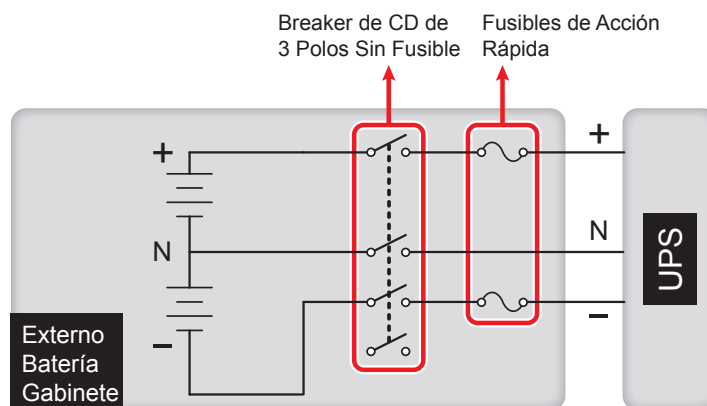
Especificación de Potencia (kVA)	Especificación de Corriente del Breaker	Cable de Batería	Fusible de Batería
20	250V AC / 75A	1 AWG (35 mm <sup>2</sup> )	660V DC / 80A
30	250V AC / 125A	1/0 AWG (50 mm <sup>2</sup> )	660V DC / 125A
40	250V AC / 150A	3/0 AWG (95 mm <sup>2</sup> )	660V DC / 150A
60	250V AC / 250A	250 kcmil (120 mm <sup>2</sup> )	660V DC / 250A

### 3. Instalación y Cableado

- El breaker debe ser de 3 polos CD con una especificación de 250V CD por polo. Siga la Figura 3-13 o la Figura 3-14 entre el gabinete de baterías externas del UPS.



(Figura 3-13: Instalación I de Un Breaker de CD de 3 Polos Sin Fusible y Fusibles de Acción Rápida)



(Figura 3-14: Instalación II de Un Breaker de CD de 3 Polos Sin Fusible y Fusibles de Acción Rápida)

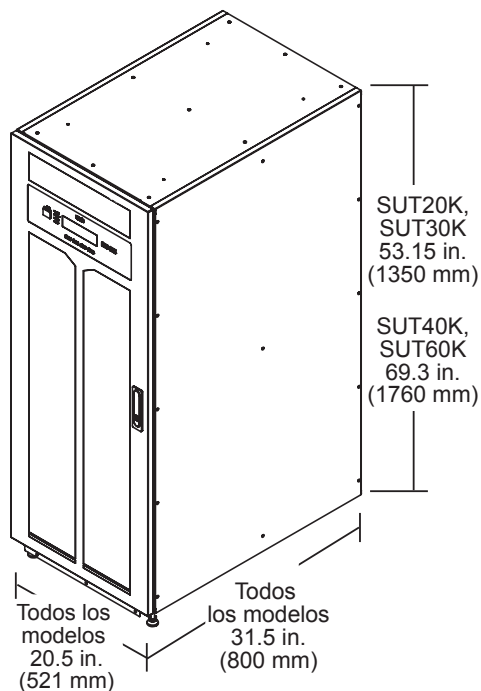
#### Alarma de Estado de la Batería

Cuando las baterías del sistema UPS experimenten uno de los problemas que se muestran a continuación, el sistema sonará las siguientes alarmas:

Nº	Estado del Gabinete de Batería Externa	Alarma
1	Falla de Prueba de la Batería	Suena una vez cada 2 segundos
2	Advertencia de Batería Baja	Suena una vez cada 0.5 segundo
3	Apagado por Batería Baja	Sonido prolongado (5 segundos)
4	Sobrecarga de la Batería	Suena una vez cada 2 segundos
5	Batería Faltante	Suena una vez cada 2 segundos

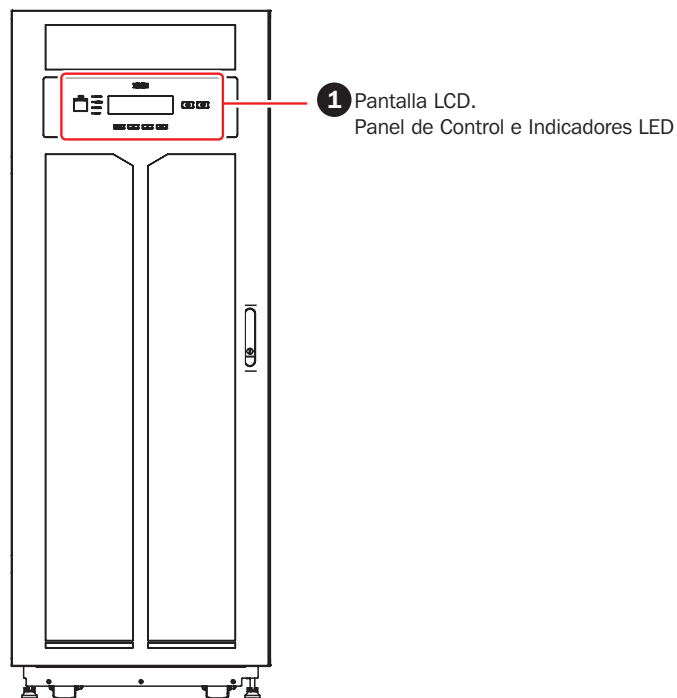
## 4. Componentes del Sistema

### 4.1 Apariencia y Dimensiones



(Figura 4-1: Apariencia y Dimensiones del UPS)

### 4.2 Vista Frontal



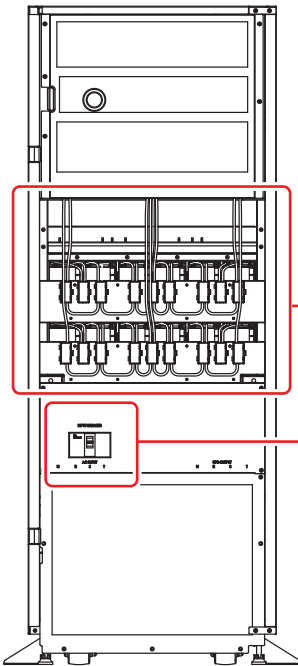
(Figura 4-2: Vista Frontal)

#### 1 Pantalla LCD, Panel de Control e Indicadores LED

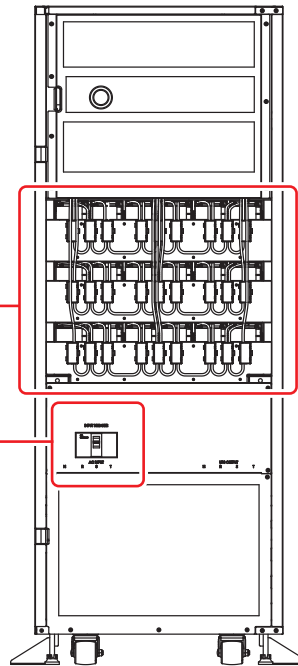
1. El LCD muestra el estado del UPS.
2. El panel de control incluye botones ESC, desplazar arriba, desplazar abajo, confirmación, ON / OFF y EPO (refiérase a la Figura 4-7).
3. Los indicadores LED incluyen NORMAL [Normal], BATTERY [En Respaldo], BYPASS [Derivación] y FAULT [Falla].
4. Para más información, consulte el **Capítulo 8. Pantalla LCD y Configuraciones**.

## 4. Componentes del Sistema

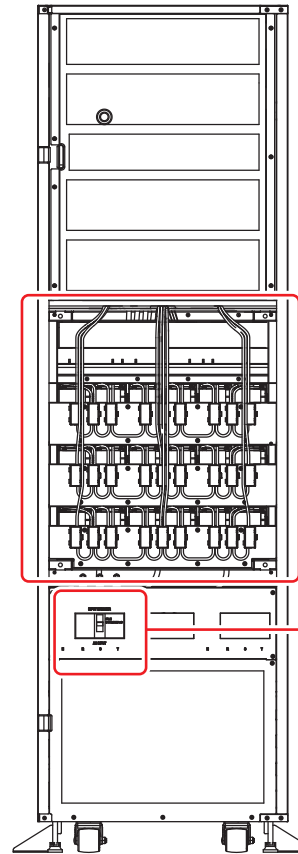
### 4.3 Vista Frontal con la Puerta Abierta



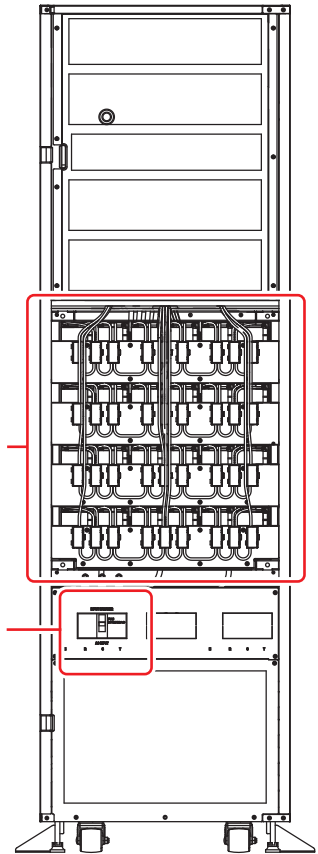
(Figura 4-3: Vista Frontal del SUT20K con la Puerta Abierta y el Panel del Compartimiento de Baterías Retirado.)



(Figura 4-4: Vista Frontal del SUT30K con la Puerta Abierta y el Panel del Compartimiento de Baterías Retirado.)



(Figura 4-5: Vista Frontal del SUT40K con la Puerta Abierta y el Panel del Compartimiento de Baterías Retirado.)



(Figura 4-6: Vista Frontal del SUT60K con la Puerta Abierta y el Panel del Compartimiento de Baterías Retirado.)

#### 2 Breaker de Alimentación

Controla el switch de alimentación de la red pública del sistema UPS y se usa para protección de seguridad.

#### 3 Gabinete de Batería Interna

Los cuatro modelos de UPS tienen diferentes contenidos dentro del gabinete de batería interna. Para más información, consulte la tabla siguiente.

1. El gabinete de batería interna incluye:

Nº	Rubro	Cantidad			
		SUT20K	SUT30K	SUT40K	SUT60K
1	Baterías Internas	48	72	72	96
2	Charola de Batería	12	18	18	24

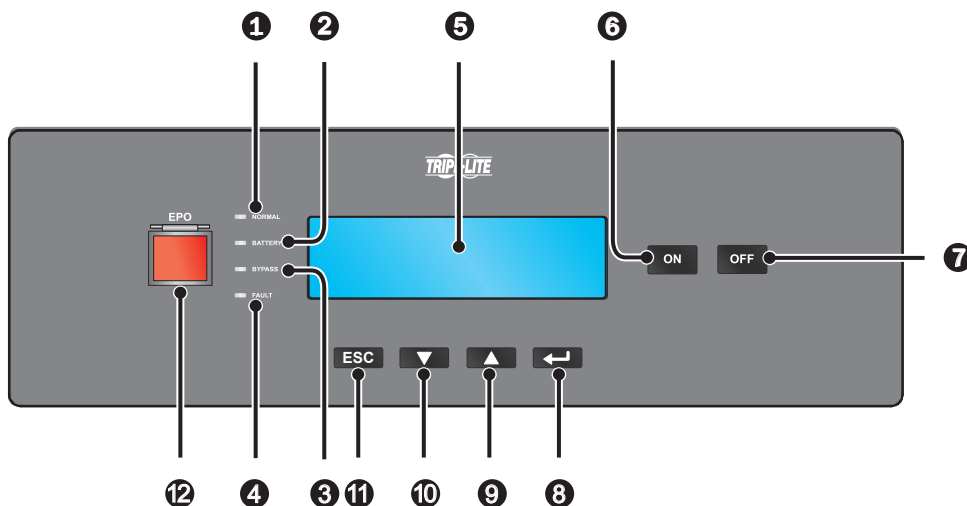
2. Las baterías internas, charolas de baterías y cables de batería mostrados en la tabla anterior han sido configurados en planta. Solo personal de servicio calificado debe ejecutar la instalación, cableado y conexión de la batería.

#### ARRANQUE y PUESTA EN SERVICIO

Un ingeniero autorizado por Tripp Lite debe ejecutar el arranque del UPS y debe regresarse un formato completo del arranque a Tripp Lite a fin de activar la garantía de la Serie SUT de SmartOnline. Para detalles adicionales, póngase en contacto con su proveedor local o [intlservice@tripplite.com](mailto:intlservice@tripplite.com). Para ubicar a su contacto local, vaya a [www.tripplite.com/support/contacts](http://www.tripplite.com/support/contacts) y haga click en 'Centros de Servicio'.

# 4. Componentes del Sistema

## 4.4 Panel de Control

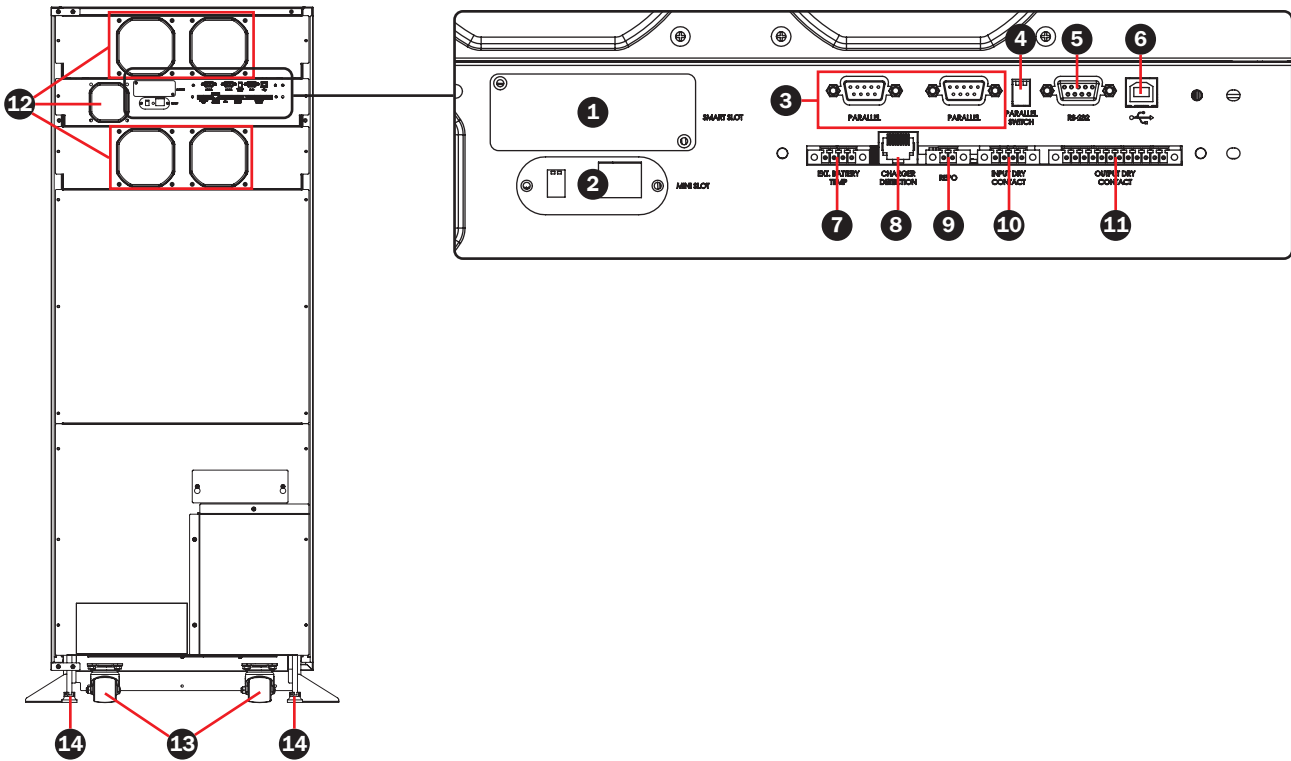


(Figura 4-7: Panel Frontal)

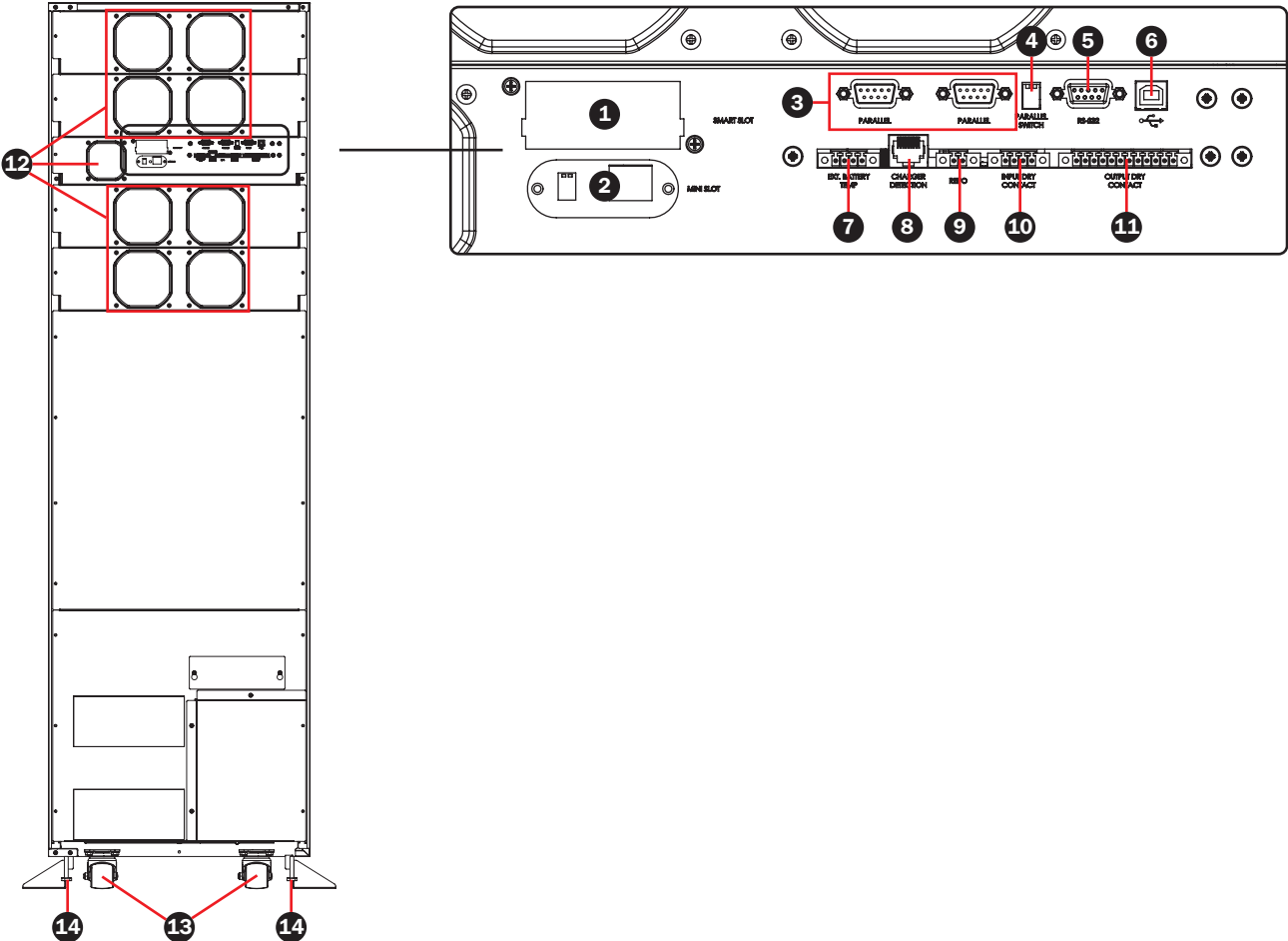
Nº	Rubro	Descripción
1	NORMAL	El UPS está funcionando en modo en línea y la energía de CA de la red pública es normal.
2	BATTERY	El UPS está funcionando en modo de respaldo por batería y las baterías externas se están descargando.
3	BYPASS	El UPS está funcionando en modo de derivación.
4	FAULT	El UPS tiene anomalías.
5	Pantalla LCD	Muestra el estado de operación del UPS y datos relevantes de monitoreo.
6	ON	Tecla ON: Oprima esta tecla por 3~4 segundos y suéltela después de escuchar un bip para arrancar el UPS.
7	OFF	Tecla OFF: Oprima esta tecla una vez y el LCD muestra la siguiente pantalla. Para apagar el UPS oprima la tecla (  ).
8	←	Confirma la selección y accede a la pantalla del menú.
9	▲	Desplaza hacia arriba / Incrementa número.
10	▼	Desplaza hacia abajo / Reduce número.
11	ESC	Regresa a la pantalla anterior o cancela la selección actual.
12	EPO	Cuando ocurra un evento de emergencia, oprima la tecla <b>EPO</b> por más de un segundo para apagar inmediatamente el rectificador, inversor y salida del UPS. Para restaurar, desconecte la tecla EPO y oprima el botón OFF de la unidad por 3 segundos, entonces oprima el botón ON.

# 4. Componentes del Sistema

## 4.5 Panel Posterior



(Figura 4-8: Panel Posterior del SUT20K, SUT30K)



(Figura 4-9: Panel Posterior del SUT40K, SUT60K)

## 4. Componentes del Sistema


Nº	Ítem	Descripción
1	Ranura SMART	Conecte la tarjeta de Relevador SNMP de E / S / ModBus. Para información detallada, refiérase a <b>6. Interfaces de Comunicación.</b>
2	Ranura MINI	Para más información, póngase en contacto con Tripp Lite.
3	Puertos para Conexión en Paralelo	Para uso en conexión en paralelo del UPS Para información detallada, refiérase a <b>6. Interfaces de Comunicación.</b>
4	Switch en Paralelo	Controla los estados de los puertos para conexión en paralelo (ON u OFF). Para información detallada, refiérase a <b>6. Interfaces de Comunicación.</b>
5	Puerto RS-232	Se conecta a una computadora. Para información detallada, refiérase a <b>6. Interfaces de Comunicación.</b>
6	Puerto USB	Se conecta a una computadora. Para información detallada, refiérase a <b>6. Interfaces de Comunicación.</b>
7	Entrada de Temperatura de la Batería Externa	Se conecta al Sensor de Temperatura del Gabinete de Baterías Externas. Para instrucciones, póngase en contacto con el fabricante del gabinete de baterías externas.
8	Puerto de Detección del Cargador	Se conecta a una caja de cargador y detecta el estado del cargador. Para información detallada, refiérase a <b>6. Interfaces de Comunicación.</b>
9	Puerto REPO	Cuando ocurre un evento de emergencia, el UPS desconecta inmediatamente la fuente de alimentación y apaga la unidad. Para información detallada, refiérase a <b>6. Interfaces de Comunicación.</b>
10	Contactos Secos de Entrada	Reciba información externa de dispositivos conectados a los contactos secos de entrada. Para información detallada, refiérase a <b>6. Interfaces de Comunicación.</b>
11	Contactos Secos de Salida	Reciba la información de eventos del sistema UPS. Para información detallada, refiérase a <b>6. Interfaces de Comunicación.</b>
12	Ventiladores de CD	Enfrían y ventilan el UPS.
13	Ruedas	Las ruedas están diseñadas para proporcionar solamente el movimiento de posicionamiento final. No utilice las ruedas para mover el sistema UPS por largas distancias. Las ruedas no están diseñadas para proporcionar apoyo a largo plazo para el UPS después de la instalación.
14	Niveladores	Los niveladores están diseñados para proporcionar apoyo a largo plazo para el UPS.

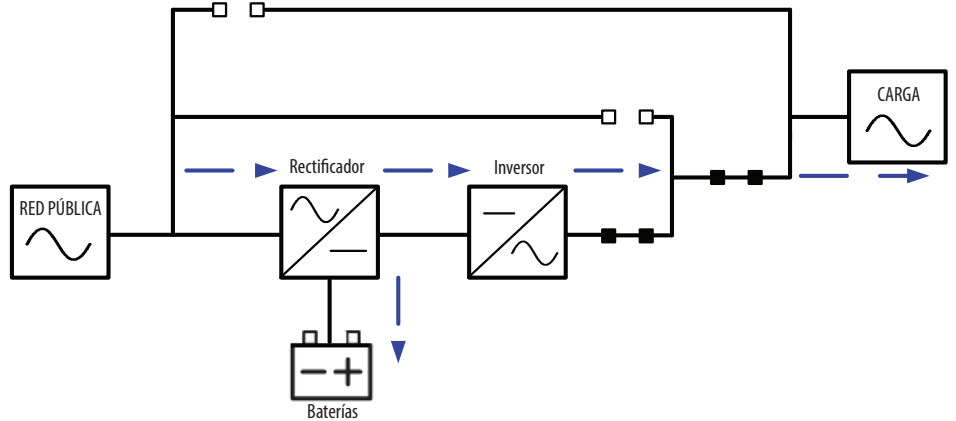


## 5. Modos de Operación

Esta sección proporciona una descripción básica de la ruta de acceso del sistema UPS de energía eléctrica en sus diferentes modos de funcionamiento. Para obtener más información acerca de cómo los modos de funcionamiento se muestran en la pantalla principal del LCD, consulte **8. Pantalla LCD y Configuraciones**.

### Modo Normal (En Línea)

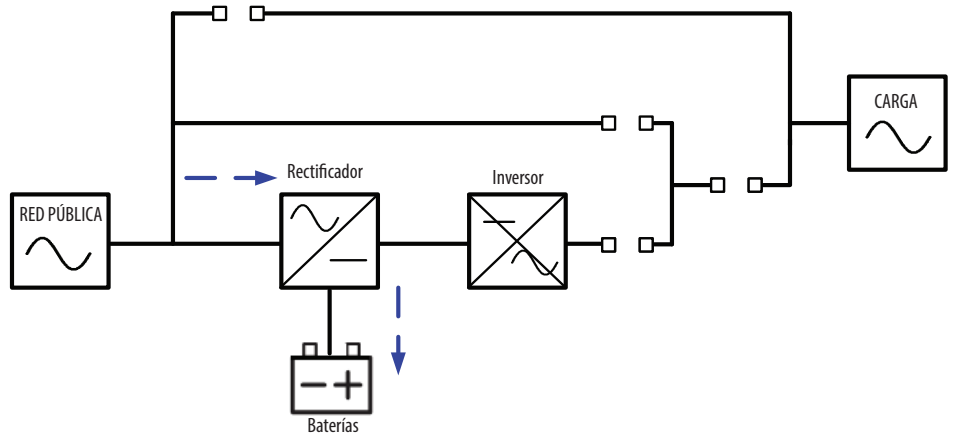
La carga crítica es alimentada por el inversor, que deriva su energía de la energía de CA de la red pública. El UPS carga las baterías según sea necesario y proporciona protección de energía al equipo. Durante el modo en línea, el indicador de LED NORMAL (  NORMAL ) se enciende (verde).



(Figura 5-1: Ruta de la Energía Eléctrica a Través del UPS en Modo Normal [En Línea])



### Modo Standby [En Espera]

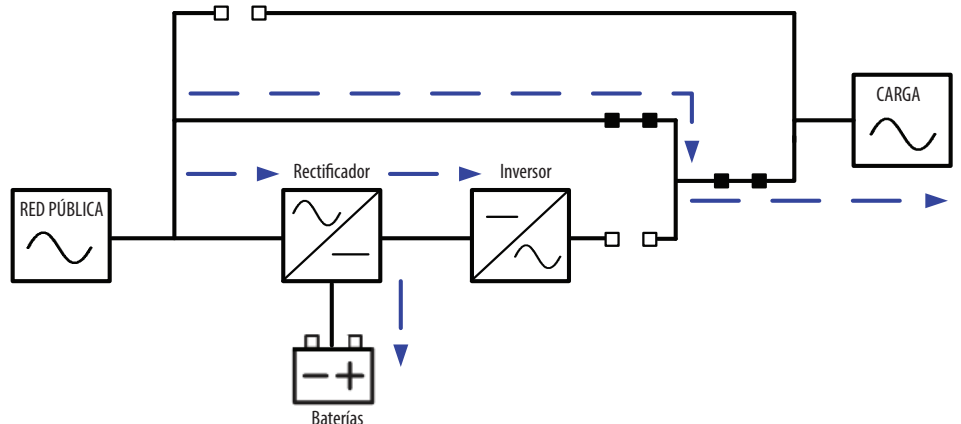
Cuando el voltaje y frecuencia de entrada de la energía de CA de la red pública están dentro del rango normal, el UPS corre en modo standby y carga las baterías. La derivación y el inversor no tienen salida.



(Figura 5-2: Ruta de la Energía Eléctrica a Través del UPS en Modo Standby [En Espera])

### Modo ECO


El UPS puede configurarse manualmente en modo ECO. En modo ECO, cuando el voltaje de entrada de la red pública está dentro de un rango de  $\pm 10\%$  del voltaje especificado, la carga es alimentada por la energía de la red pública y el indicador de LED BYPASS [Derivación] (  BYPASS ) se enciende (amarillo); si está fuera de rango, la carga es alimentada por el inversor y el indicador de LED NORMAL (  NORMAL ) se enciende (verde).

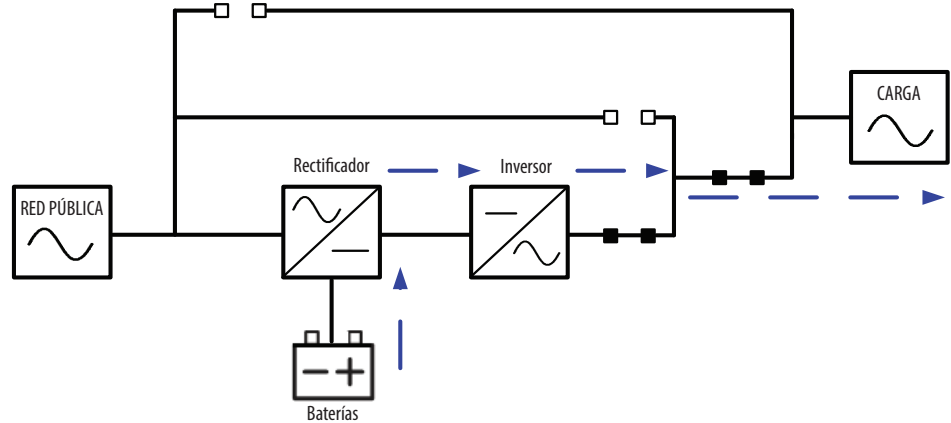


(Figura 5-3: Ruta de la Energía Eléctrica a Través del UPS en Modo ECO)

# 5. Modos de Operación

## Modo de Respaldo por Batería

Cuando el UPS está operando durante una interrupción en el servicio eléctrico, las baterías proporcionan energía de CD, que mantiene la operación del inversor para soportar la carga crítica. Durante el modo de respaldo por batería, el indicador LED BATTERY (  BATTERY ) se enciende (amarillo).




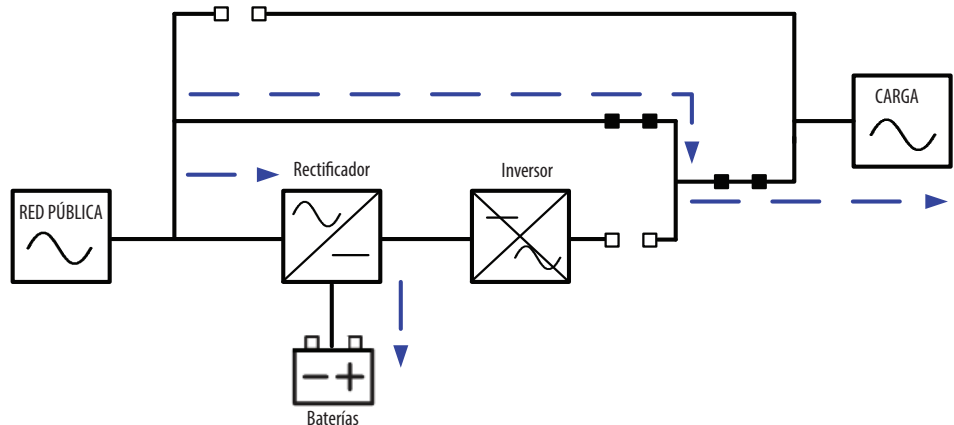
(Figura 5-4: Ruta de la Energía Eléctrica a Través del UPS en Modo de Respaldo por Batería)

Tabla 5-1: Estado de la Batería

Capacidad de la Batería	Zumbador	Pantalla LCD
Plena / Media	La alarma emite un bip una vez cada segundo. (Encendido por 0.1 segundos y Apagado por 9.9 segundos)	CAPACIDAD DE LA BATERÍA 00V / 000%
Baja	La alarma emite un bip una vez cada 0.5 segundo. (Encendido por 0.1 segundos y Apagado por 0.9 segundos)	CAPACIDAD DE LA BATERÍA 00V / 000%
Agotada	Bip prolongado.	APAGADO DEBIDO A BATERÍA BAJA

## Modo en Derivación [Bypass]

La carga crítica es alimentada directamente por la energía de la red pública y se cargan las baterías. Durante el modo de respaldo por batería, el indicador LED BYPASS (  BYPASS ) se enciende (amarillo).

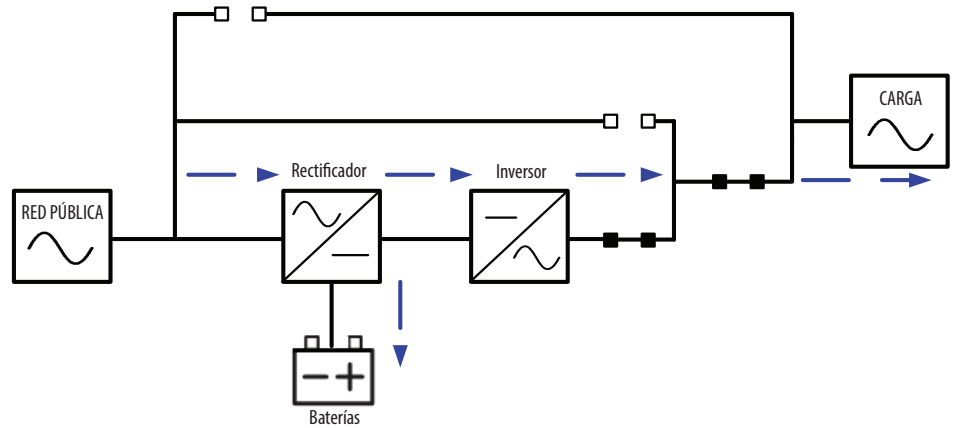


(Figura 5-5: Ruta de la Energía Eléctrica a Través del UPS en Modo de Derivación)

## 5. Modos de Operación

### Modo de Conversión de Frecuencia

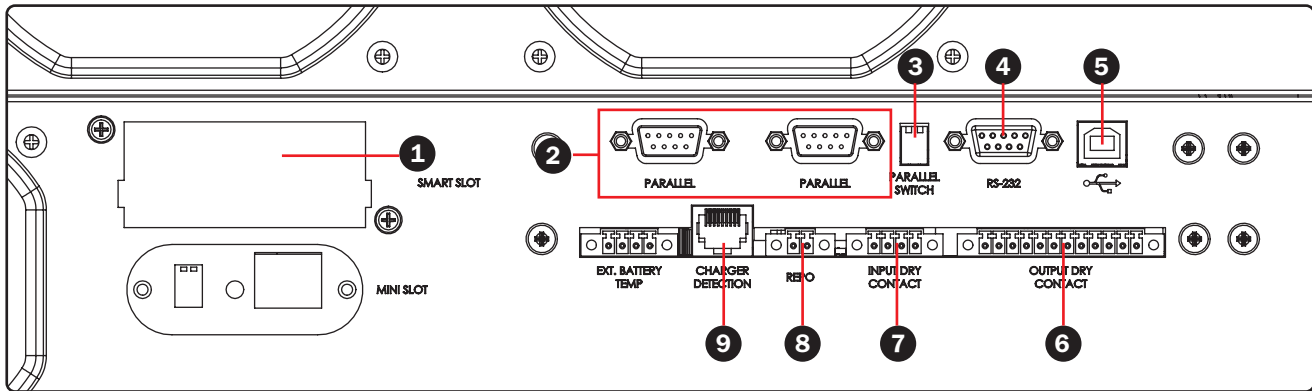
Cuando el UPS es configurado manualmente en el modo de convertidor, puede ajustarse la frecuencia de salida como 50Hz o 60Hz. Después de que la frecuencia de salida esté configurada, el sistema deshabilitará automáticamente la función de derivación. Una vez apagado el inversor, no hay salida en derivación. Durante el modo de convertidor, el indicador de LED NORMAL (  NORMAL ) se enciende (verde).



(Figura 5-6: Ruta de la Energía Eléctrica a Través del UPS en Modo de Convertidor)

## 6. Interfaces de Comunicación

Para consultar las posiciones y funciones de las interfaces de comunicación, refiérase al siguiente diagrama:



(Figura 6-1: Interfaces de Comunicación)

### Notas:

1. El UPS funciona normalmente sin conectarse a las interfaces de comunicación.
2. Todas las interfaces de comunicación pueden ser utilizadas al mismo tiempo y no interferirán con la funcionalidad de otras.

#### 1 Ranura SMART

Para controlar y monitorear en forma remota el estado del UPS mediante una red, instale una tarjeta SNMP en esta ranura SMART. La tarjeta de E / S por Relevador o MODBUS puede utilizar esta ranura para proporcionar funciones de contactos secos o MODBUS, respectivamente.

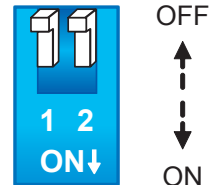
#### 2 Puertos para Conexión en Paralelo

Los dos puertos para conexión en paralelo son para comunicación de en paralelo del UPS. Pueden conectarse en paralelo un máximo de cuatro sistemas UPS con la misma capacidad, voltaje y frecuencia usando el cable paralelo suministrado para funcionar en modo paralelo.

#### 3 Switch en Paralelo

Cuando conecte en paralelo sistemas UPS, los switches para configuración deben configurarse para activar la función en paralelo. El switch en paralelo incluye dos switches para configuración. Para activar un switch para configuración, cambie el switch para configuración [DIP] a la posición hacia abajo; para desactivar un switch para configuración, cambie el switch para configuración [DIP] a la posición hacia arriba.

1. Cuando se conecten en paralelo dos sistemas UPS, active el switch para configuración de cada UPS.
2. Cuando se conecten en paralelo tres sistemas UPS, desactive los switches para configuración del UPS central y active los switches para configuración restantes.
3. Cuando se conecten en paralelo cuatro sistemas UPS, desactive los switches para configuración de los dos UPS centrales y active los switches para configuración restantes.

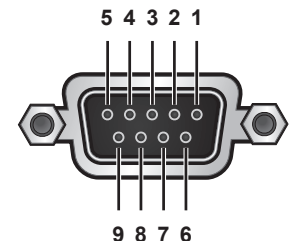


(Figura 6-2: Switch de Conexión en Paralelo)

#### 4 Puerto RS-232

El puerto RS-232 está construido dentro del panel posterior del UPS para proporcionar comunicación entre el UPS y la computadora. Para comprobar y monitorear el estado del UPS mediante una computadora, use el programa gratuito para administración de energía PowerAlert® de Tripp Lite (disponible para descarga en [www.tripplite.com/poweralert](http://www.tripplite.com/poweralert)). La información detallada es como sigue:

1. Monitorea el nivel de carga, estado de la batería, voltaje de la batería, modo de operación del UPS, voltaje de entrada, frecuencia de entrada, voltaje de salida y temperatura del UPS.
2. Establece el tiempo de demora del apagado.
3. Activa/desactiva las alertas acústicas.
4. Soporta el apagado remoto.
5. Asignación de Terminales:
  - 1) Pin 2: TXD <Transmisión de Datos>
  - 2) Pin 3: RXD <Recepción de Datos>
  - 3) Pin 5: GND <Señal de Tierra>
6. Hardware
  - 1) Tasa de Baudios: 2400 BPS
  - 2) Longitud de Datos: 8 bits
  - 3) Bit de Parada: 1 bit
  - 4) Paridad: Ninguna



(Figura 6-3: Puerto RS-232)

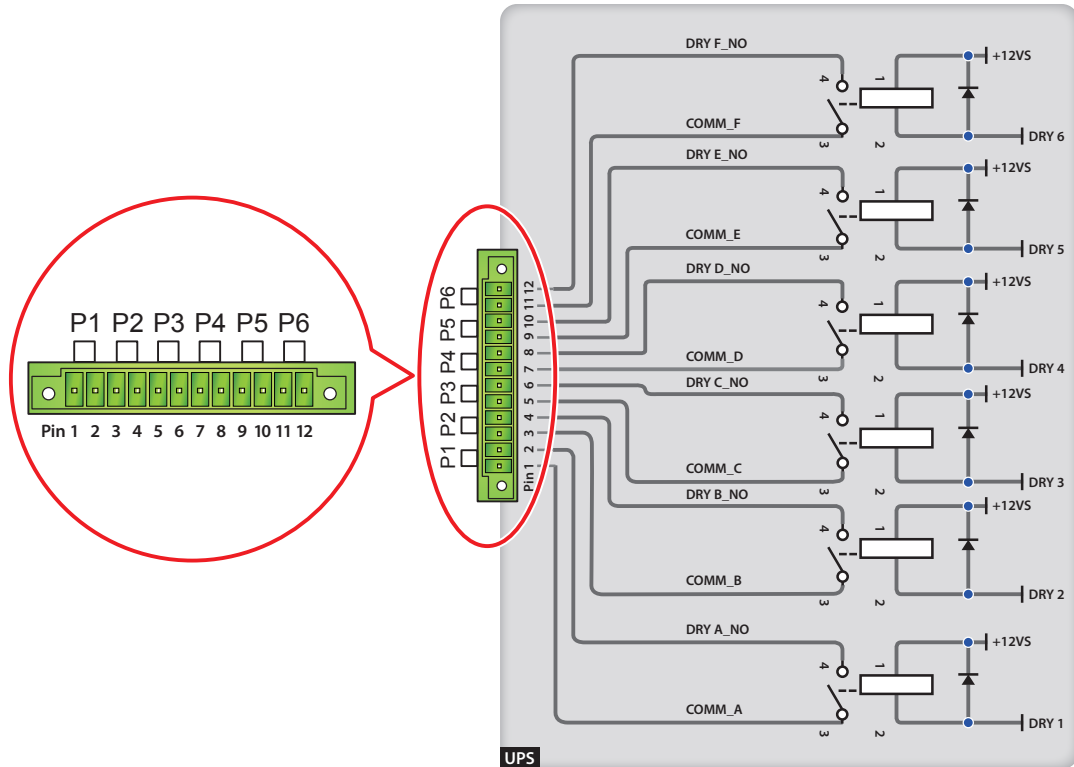
**Nota:** Otros pins están reservados y no pueden usarse.

## 6. Interfaces de Comunicación

### 5 Puerto USB

El puerto USB incorporado en el UPS proporciona una conexión serial RS-232 sobre USB. Esto permite una secuencia serial de datos para computadoras y laptops que no tengan el puerto serial tipo DB9 estándar con conexiones RS-232. Una vez configurado en Windows, este puerto se muestra y funciona como un puerto COM estándar.

### 6 Contactos Secos de Salida



(Figure 6-4: Contactos Secos de Salida: Definición y Diseño del Pin)

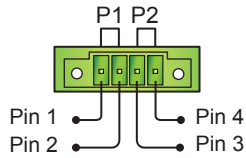
El UPS SmartOnline SUT proporciona seis juegos de contactos de salida programables para liberar eventos del UPS. Existen dieciocho eventos seleccionables, pueden seleccionarse seis. Los contactos secos están abiertos de fábrica. Refiérase por favor a la tabla siguiente.

Nº	Evento	Descripción
1	Modo En Línea	<ol style="list-style-type: none"> <li>1. El UPS está en Modo Normal.</li> <li>2. Predeterminado: Pines 1 y 2.</li> </ol>
2	Modo en Derivación [Bypass]	<ol style="list-style-type: none"> <li>1. El sistema UPS está en Modo de Derivación.</li> <li>2. Predeterminado: Pines 3 y 4.</li> </ol>
3	Modo de Respaldo por Batería	<ol style="list-style-type: none"> <li>1. Cuando falla la fuente principal de CA, el UPS suministra energía de la batería a la carga conectada.</li> <li>2. Predeterminado: Pines 5 y 6.</li> </ol>
4	Batería baja	<ol style="list-style-type: none"> <li>1. Cuando el UPS funciona en modo de respaldo por batería, el voltaje de la batería es inferior al límite de configuración, 220V CD.</li> <li>2. Predeterminado: Pines 7 y 8.</li> </ol>
5	La entrada en derivación no está bien	<ol style="list-style-type: none"> <li>1. El voltaje, frecuencia o secuencia de fase de la derivación es anormal.</li> <li>2. Predeterminado: Pines 9 y 10.</li> </ol>
6	Falla de la prueba de la batería o batería faltante	<ol style="list-style-type: none"> <li>1. En el proceso de prueba de la batería, el voltaje de la batería está fuera del límite de configuración.</li> <li>2. Predeterminado: Pines 11 y 12.</li> </ol>

# 6. Interfaces de Comunicación

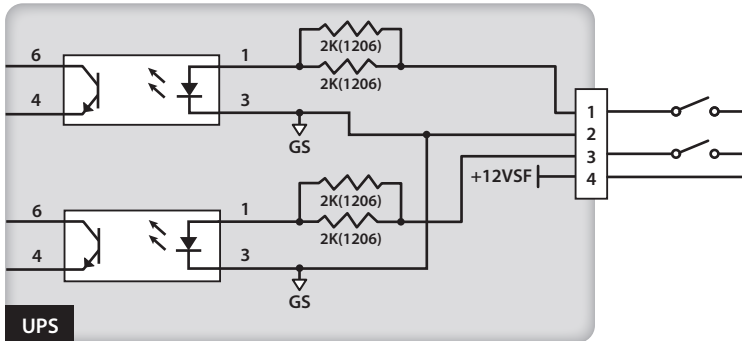
## 7 Contactos Secos de Entrada

El UPS proporciona dos juegos de contactos secos de entrada que son abiertos de fábrica. La configuración predeterminada para el Pin 1 y 2 es "ROO" y la configuración predeterminada para los Pines 3 y 4 es "Generator Power Supply Signal" [Señal de la Fuente Alimentación del Generador]. Existen dos tipos de configuración:



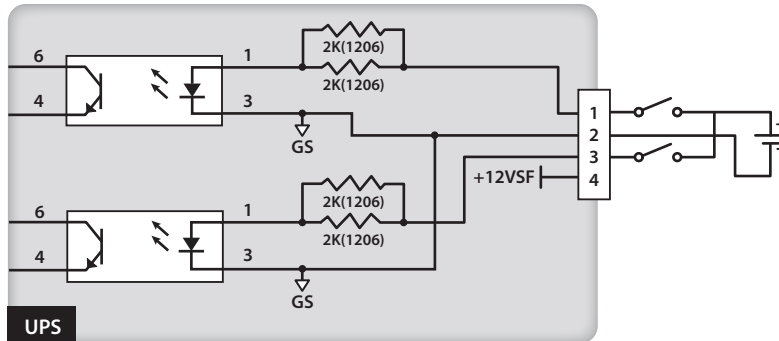
(Figura 6-5: Contactos Secos de Entrada)

Figura 6-6 muestra el primer tipo de configuración de contactos secos de entrada. Requiere energía interna, +12VSF.



(Figura 6-6: Configuración del Contacto Seco de Entrada I)

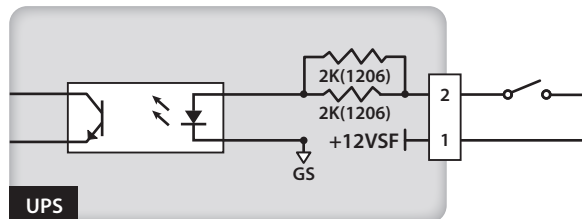
Figura 6-7 muestra el segundo tipo de configuración de contactos secos de entrada. Requiere energía externa con un rango de voltaje entre 6V ~ 12V CD.



(Figura 6-7: Configuración del Contacto Seco de Entrada II)

## 8 Puerto REPO

El puerto REPO es para el apagado remoto de emergencia. Cuando ocurre un evento de emergencia, desconectará la fuente de alimentación del UPS y apagará inmediatamente el UPS. La configuración se muestra como sigue.



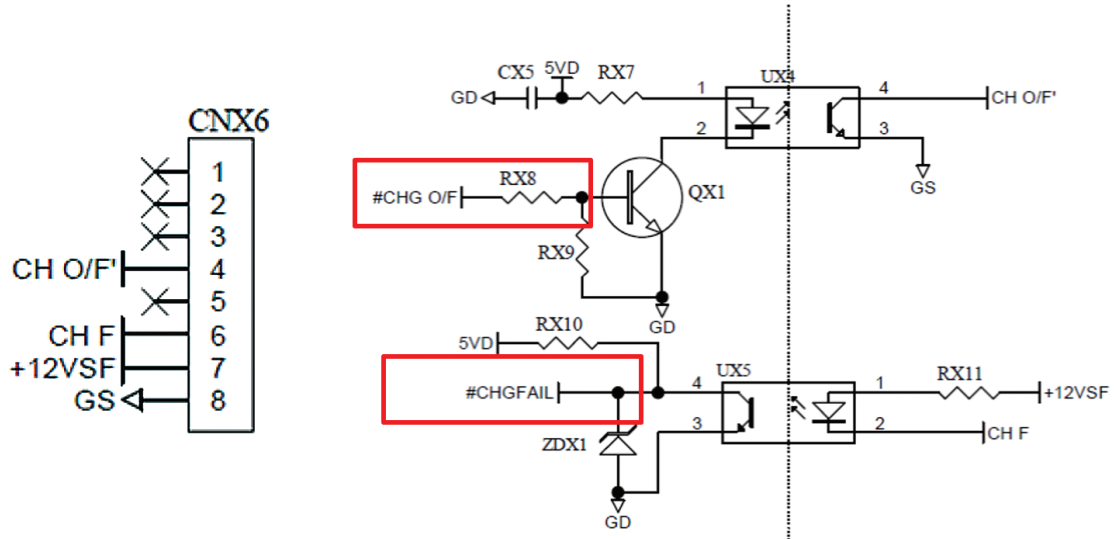
(Figura 6-8: Configuración del Puerto REPO)

## 6. Interfaces de Comunicación

### 9 Puerto de Detección del Cargador

El puerto de detección del cargador se usa para conectar con una caja de cargador externa. Con este puerto, el UPS puede detectar el estado de operación de la caja del cargador externa y controlar su switch.

Como se muestra en el diagrama siguiente, existen dos fuentes de señal. Una fuente de señal controla el mecanismo de carga encendido / apagado y la otra fuente de señal detecta el estado de carga (falla / sin falla).

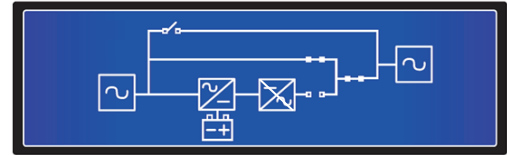


# 7 Operación

## 7.1 Conexión del UPS con Energía de CA de la Red Pública

- 1 Si el UPS se conecta con gabinetes de baterías externas, asegúrese que los breakers y switches de todos los gabinetes de baterías externas estén en la posición de encendido.
- 2 Encienda el breaker de entrada y suministre alimentación de CA de la red pública al UPS. Poco después, los ventiladores se encenderán y se mostrará la pantalla de inicialización de LCD (Tripp Lite). El UPS se transferirá al modo de derivación. Mientras esté en modo de derivación, se encenderá el indicador LED de BYPASS (  **BYPASS** ) (amarillo).

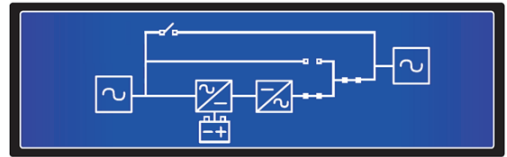
- NORMAL
- BATTERY
- BYPASS
- FAULT



## 7.2 Encender (Arranque del Inversor)

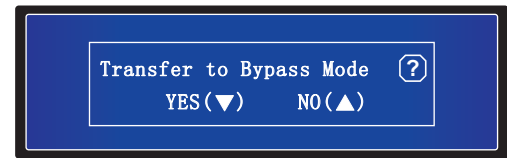
Oprima la tecla **ON** (  **ON** ) por 3~4 segundos. Después de escuchar un bip, suelte inmediatamente la tecla para encender el UPS. Después que el UPS complete su autodiagnóstico, se transferirá a normal (En Línea) después de aproximadamente 10 segundos. Cuando esté en modo en línea, el indicador LED NORMAL (  **NORMAL** ) se encenderá (verde).

- NORMAL
- BATTERY
- BYPASS
- FAULT



## 7.3 Apagar (Apagado del UPS)

En el modo en línea, oprima la tecla **OFF** (  **OFF** ) una vez. Para detener el inversor, oprima la tecla **DOWN** (  **DOWN** ). El inversor se apagará, el zumbador sonará una vez y el sistema se transferirá al modo en derivación. En este momento, se encenderá el indicador LED de derivación (  **BYPASS** ) (amarillo). **ADVERTENCIA DE APAGADO: ¡La carga se apagará en este momento! Apague el Breaker de Alimentación. El LED de BYPASS se apagará. Después de aproximadamente un minuto, el UPS se apagará.** Para completar el proceso de apagado, retire la energía CA de la red pública.



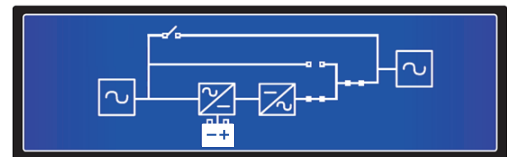
### ADVERTENCIA:

El UPS puede retirarse solo después que la pantalla LCD esté apagada, los ventiladores no funcionen más, la energía de CA de la red pública esté eliminada y las baterías estén desconectadas.

## 7.4 Procedimiento de Arranque en Frío (Arranque por Batería)

- 1 Si el UPS se conecta con gabinetes de baterías externas, asegúrese de que los breakers o switches de todos los gabinetes de baterías externas se coloquen en la posición ON [Encendido].
- 2 Oprima la tecla **ON** (  **ON** ) por 3~4 segundos. Después de escuchar un bip, suelte inmediatamente la tecla para encender el UPS. Poco después, los ventiladores se encenderán y el inversor realizará un arranque suave. Después aumentar hasta el voltaje nominal, el UPS se activará en línea en modo de batería. Cuando esté en modo de batería, se encenderá el indicador LED de BATTERY (  **BATTERY** ) (amarillo). En este momento, la alarma del UPS emitirá un bip y se mostrará la pantalla de modo de batería.

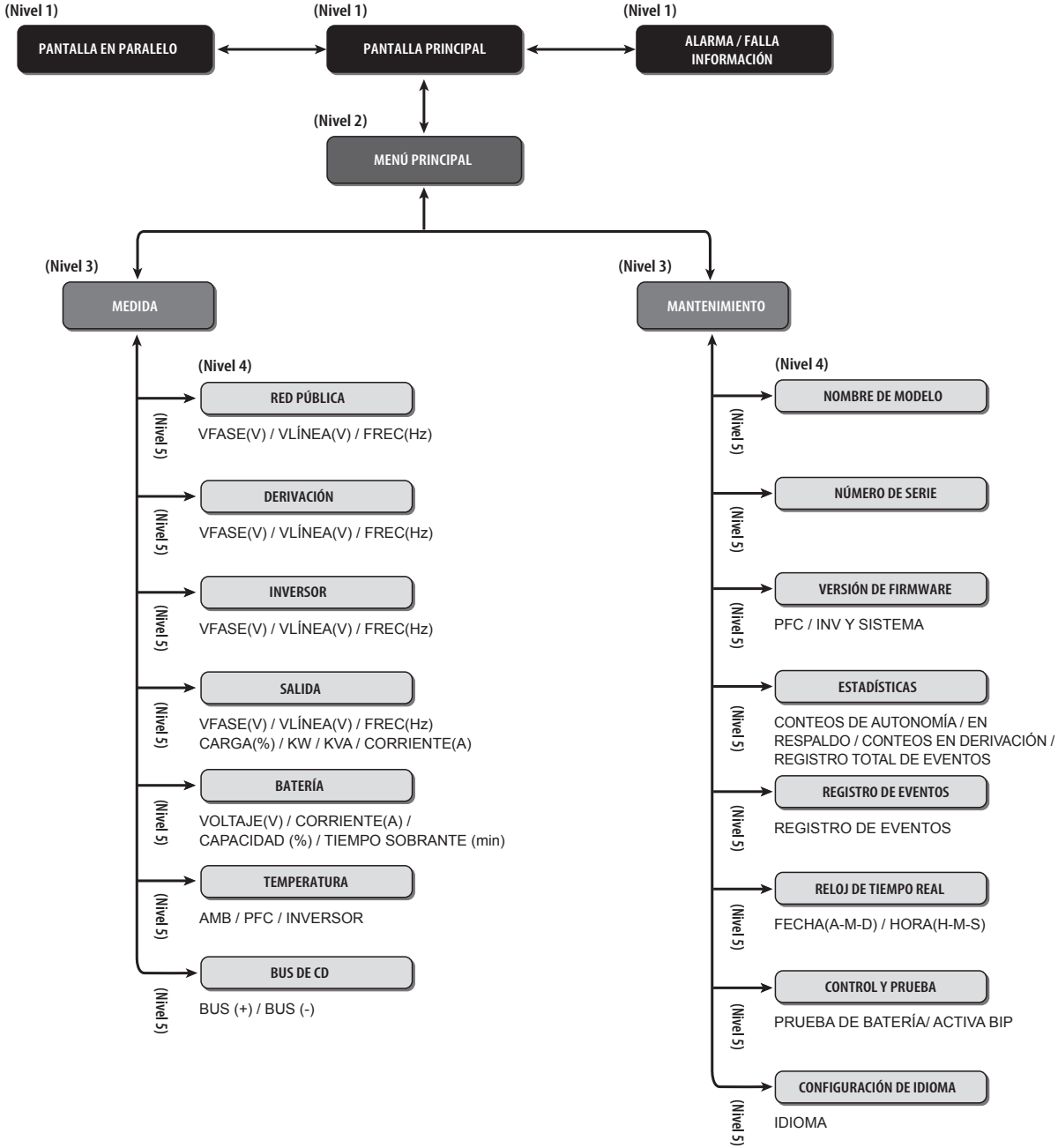
- NORMAL
- BATTERY
- BYPASS
- FAULT





# 8. Pantalla LCD y Configuraciones

## 8.1 Jerarquía de la Pantalla LCD



(Figura 8-1: Jerarquía de la Pantalla LCD)

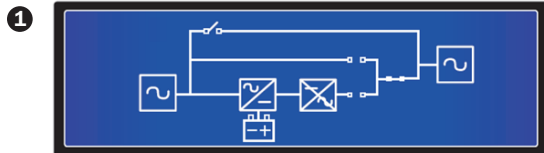
**Notas:**

1. Refiérase a **4.4 Panel de Control** para consultar información acerca del LCD y las teclas de función.
2. Toda la información mostrada en los diagramas LCD presentados en **8. Pantalla LCD y Configuraciones** es solo para referencia. Las lecturas reales dependen de la operación del UPS.

## 8. Pantalla LCD y Configuraciones

Después de la inicialización, la pantalla LCD mostrará diagramas del estado actual del UPS. El sistema muestra diferentes pantallas, dependiendo del estado del UPS. Los estados de la **Pantalla Principal** del LCD se muestra a continuación. Para una descripción básica de la ruta de alimentación eléctrica del sistema UPS en sus diversos modos de funcionamiento, refiérase a **5. Modos de Operación**.

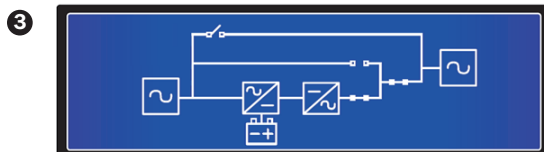
Los seis Estados del UPS que se muestran en la pantalla LCD son:



**El UPS está en Modo Standby.** Cuando el voltaje y frecuencia de entrada de la energía de CA de la red pública están dentro del rango normal, el UPS opera en modo Standby y carga las baterías. La derivación y el inversor no tienen salida.



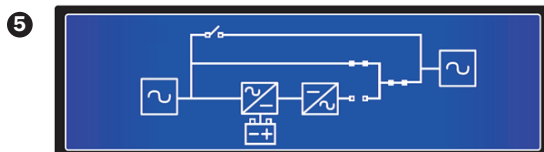
**El UPS está en Modo de Derivación.** La carga crítica es alimentada directamente por la energía de la red pública y se cargan las baterías. Durante el Modo de Derivación, el indicador LED BYPASS se enciende en amarillo.



**El UPS está en Modo Normal (En Línea).** La carga crítica es alimentada por el inversor, que deriva su energía de la energía de CA de la red pública. El UPS carga las baterías según sea necesario y proporciona protección de energía al equipo. En el Modo En Línea, el indicador de LED NORMAL se enciende en verde.



**El UPS está en Modo de Respaldo por Batería.** Cuando el sistema UPS está operando durante una interrupción en el servicio eléctrico, las baterías proporcionan energía de CD, que mantiene la operación del inversor para soportar la carga crítica. Durante el modo de respaldo por batería, el indicador LED BATTERY se enciende en amarillo.



**Modo ECO.** Puede configurar manualmente el UPS en modo ECO. En Modo ECO, cuando el voltaje de entrada de la red pública está dentro de un rango de  $\pm 10\%$  del voltaje especificado, la carga es alimentada por la energía de la red pública y el indicador de LED BYPASS se enciende en amarillo; si el voltaje de la red pública está fuera de rango, la carga es alimentada por el inversor y el indicador de LED NORMAL se enciende en verde.



**Modo de Conversión de Frecuencia.** Cuando el UPS es configurado manualmente en el Modo de Conversión de Frecuencia, puede ajustarse la frecuencia de salida como 50 Hz o 60 Hz. Después de que la frecuencia de salida esté configurada, el sistema deshabilitará automáticamente la función de derivación. Una vez apagado el inversor, no hay salida en derivación. Durante el Modo de Conversión de Frecuencia, el indicador de LED NORMAL se enciende en verde.





**Modo de Prueba de la Batería.** Confirme que el UPS está funcionando en modo en línea y oprima el botón ON durante 3 segundos o configure la PRUEBA de BATERÍA en la pantalla LCD. El UPS realizará una prueba de la batería sólo cuando el voltaje de las baterías sea superior a 160.8V y el cargador esté en Modo de Carga en Flotación.



# 8. Pantalla LCD y Configuraciones

## 8.2 Menú de Configuración

Ruta: Pantalla Principal → Menú de Configuración

Los parámetros pueden ser modificados solo cuando el UPS esté en Modo en Derivación. Oprima y sostenga por 3 segundos. Mientras está en Modo en Derivación [Bypass], oprima las teclas de función (  ) y (  ) para ingresar al Menú de Configuración mostrado a continuación:



Use las teclas de función (  ) y (  ) para visualizar o cargar los parámetros locales, de derivación, salida, cargador, batería, prueba de batería, control y prueba, en paralelo y avanzados del sistema UPS.

### 1. Configuración Local

Ruta: Pantalla Principal → Parámetro → MENÚ LOCAL



La configuración predeterminada de FECHA y HORA es GMT.

La configuración predeterminada de CONTRASEÑA es 0000

Use las teclas de función (  ), (  ) y (  ) para configurar la FECHA, HORA y CONTRASEÑA.

### 2. Configuración de la Derivación

Ruta: Pantalla Principal → Parámetro → MENÚ DE DERIVACIÓN




El rango de esta opción es 5% ~ 15%. La configuración predeterminada del RANGO DE VOLTAJE (Superior) es 15%.

El rango de esta opción es 5% ~ 15%. La configuración predeterminada del RANGO DE VOLTAJE (Inferior) es 15%

El rango de RANGO DE FRECUENCIA puede ser reducido. La configuración predeterminada de FREQ RANGE es  $\pm 3.0$ .

Solo cuando el voltaje de entrada en derivación está dentro del rango de la CONFIGURACIÓN DE DERIVACIÓN el UPS puede suministrar voltaje de salida. Use las teclas de función (  ), (  ) y (  ) para cambiar la CONFIGURACIÓN DE DERIVACIÓN.

Oprima (  ) para confirmar la selección cuando se le solicite.

## 8. Pantalla LCD y Configuraciones

### 3. Configuración de Salida

Ruta: Pantalla Principal → Parámetro → MENÚ DE SALIDA

Oprima (  ) para cambiar a la siguiente pantalla.

3.OUTPUT SETUP	
VOLT(V)	120
FREQ(Hz)	60
FREQ CONVERTER	OFF

3.OUTPUT SETUP	
ECO	OFF
REDUNDANCY(UNIT)	0
INDUSTRIAL	OFF

**VOLT (V):** El voltaje de salida del sistema UPS cuando está en Modo Normal (En Línea). Hay dos configuraciones: 120V y 127V. La configuración predeterminada es 120V.

**FREQ (HZ):** La frecuencia de salida del sistema UPS cuando está en Modo Normal (En Línea). Hay dos configuraciones de frecuencia: 50 o 60 Hz. La configuración predeterminada es 50 Hz.

**CONVERTIDOR DE FRECUENCIA:** Activa o desactiva el Convertidor de Frecuencia. La configuración predeterminada es OFF.

**ECO:** Activa o desactiva el Modo ECO. La configuración predeterminada es OFF.

**REDUNDANCIA (UNIDAD):** El número de unidades en redundancia en una configuración. Hay 5 configuraciones: 0, 1, 2, 3 y 4. La configuración predeterminada es 0.

**INDUSTRIAL:** Cuando se conecta a una carga no lineal con una alta corriente de arranque, el usuario puede cambiar a este modo hasta que se recupere la corriente de salida. La configuración predeterminada es OFF.

Use las teclas de función (  ), (  ) y (  ) para cambiar la CONFIGURACIÓN DE SALIDA.

### 4. Configuración del Cargador

Ruta: Pantalla Principal → Parámetro → MENÚ DEL CARGADOR

Oprima (  ) para cambiar a la siguiente pantalla.

4.CHARGER SETUP	
CHARGE CURRENT(A)	9.0
CHARGE FLOAT VOLT(V)	163
CHARGE BOOST VOLT(V)	168

4.CHARGER SETUP	
CHARGE BOOST VOLT(V)	168
BoostChargeTime(hours)	08
AutoBoostChargePeriod	OFF

**CORRIENTE DE CARGA:** El rango de la corriente de carga es 1A ~ 20A. Las configuraciones predeterminadas son: SUT20K 2A  
SUT30K 3A  
SUT40K 3A  
SUT60K 4A

**VOLTAJE DE CARGA EN FLOTACIÓN (V):** Establece el voltaje en flotación. La configuración predeterminada es 163.

**VOLTAJE DE CARGA DE REFUERZO (V):** Establece el voltaje de refuerzo. La configuración predeterminada es 168.

**TIEMPO DE CARGA DE REFUERZO (HORAS):** Existen seis configuraciones: 04, 08, 12, 16, 20 y 24. La configuración predeterminada es 08.

**PERÍODO DE CARGA DE REFUERZO AUTOMÁTICO:** Existen cuatro configuraciones: OFF, 1M, 3M, 6M (M = Mes). La configuración predeterminada es OFF.

Use las teclas de función (  ), (  ) y (  ) para cambiar la CONFIGURACIÓN DEL CARGADOR.

## 8. Pantalla LCD y Configuraciones

### 5. configuración de Respaldo por Batería

Ruta: Pantalla Principal → Menú de Configuración → CONFIGURACIÓN DE RESPALDO POR BATERÍA

5. BATTERY SETUP	
BAT RATING VOLT(V)	144
TYPE(AH)	040
LOW BATTERY ALARM(V)	132

5. BATTERY SETUP	
SHUTDOWN VOLT(V)	120
BATTERY NUMBER	12
Install Data(Y-M-D)	00-00-00

5. BATTERY SETUP	
Install Data(Y-M-D)	00-00-00
Replace Data(Y-M-D)	00-00-00
TYPE	VRLA

**VOLTAJE DE ESPECIFICACIÓN DE BATERÍA (V):** La configuración predeterminada es 144.

**TIPO (AH):** Establece la especificación de la batería. La configuración predeterminada es SUT20K: 20AH, SUT30K and SUT40K: 30AH, SUT60K: 40AH.

**ALARMA DE BATERÍA BAJA (V):** La configuración predeterminada es 132.

**VOLTAJE DE APAGADO (V):** La configuración predeterminada es 120V.

**NÚMERO DE BATERÍAS:** La configuración predeterminada es 12. No cambie la configuración predeterminada.

**Fecha de Instalación (A-M-D):** fecha de instalación real de la batería.

**Fecha de Reemplazo (A-M-D):** Fecha de reemplazo de la batería.

Use las teclas de función ( ▲ ), ( ▼ ) y ( ← ) para cambiar la CONFIGURACIÓN DE LA BATERÍA.

### 6. Prueba de la Batería

Ruta: Pantalla Principal → Menú de Configuración → PRUEBA DE LA BATERÍA

6. BATTERY TEST SETUP	
Auto Deepdischarge	OFF
Manual Test	Yes
Test Time(min)	05

6. BATTERY TEST SETUP	
Test Time(min)	05
Test Fail Volt(V)	132
Clear Test Result	Yes

**Descarga Profunda Automática:** Hay cuatro configuraciones: OFF, 30D, 60D y 90D (D = Días). La configuración predeterminada es OFF.

**Prueba Manual:** Inicia el arranque de una prueba manual de la batería. El tiempo de prueba es de cinco minutos. Si el voltaje de la batería es inferior a 132V, el resultado es falla. Si es superior, el resultado es aprobado.

**Borrar Resultado de Prueba:** Borra el resultado de la prueba de la batería.

Use las teclas de función ( ▲ ), ( ▼ ) y ( ← ) para cambiar o iniciar la PRUEBA DE LA BATERÍA.

## 8. Pantalla LCD y Configuraciones

### 7. Control y Prueba

Ruta: Pantalla Principal → Menú de Configuración → CONTROL Y PRUEBA



**TRANSFERENCIA DE DERIVACIÓN DE FUERZA:** Activa o inactiva la Transferencia de Derivación de Fuerza. La configuración predeterminada es SÍ.

**REINICIO AUTOMÁTICO:** Activa o inactiva el inicio automático. Si se configura en ON, el UPS se apagará y reiniciará automáticamente. La configuración predeterminada es ON.

Use las teclas de función ( ▲ ), ( ▼ ) y ( ← ) para cambiar la configuración de CONTROL Y PRUEBA.

### 8. Configuración en Paralelo

Ruta: Pantalla Principal → Menú de Configuración → CONFIGURACIÓN EN PARALELO



**ID DE PARALELO:** El ID DE PARALELO de cada sistema UPS debe ser diferente. Cuando los sistemas UPS están en configuración en paralelo, puede cambiar el ID DE PARALELO para evitar conflicto de ID. Hay cuatro valores: 01, 02, 03 y 04.

El uso de las teclas de función ( ▲ ), ( ▼ ) y ( ← ) puede cambiar el valor de ID DE PARALELO.

### 9. Avanzado

Ruta: Pantalla Principal → Menú de Configuración → AVANZADO



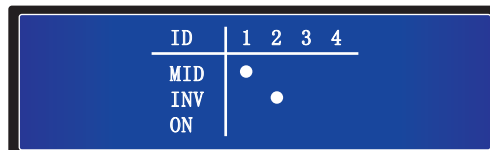
**BORRAR ESTADÍSTICAS:** Incluye TIEMPO DE FUNCIONAMIENTO, CONTEOS EN RESPALDO POR BATERÍA, CONTEOS EN DERIVACIÓN Y CONTEOS DE EVENTOS TOTALES. Puede borrar estadísticas de todos los puntos anteriores.

**ACTUALIZACIÓN DE FIRMWARE:** Esta opción actualiza el firmware. Las actualizaciones de firmware solo puede realizarlas personal calificado. Hay dos opciones para actualizar: PFC y SYSTEM

Use las teclas de función ( ▲ ), ( ▼ ) y ( ← ) para cambiar la configuración AVANZADO

### 8.3 Pantalla en Paralelo

Cuando los sistemas UPS están conectados en paralelo, oprima la tecla de función ( ▲ ) o ( ▼ ) en una **Pantalla Principal** para ingresar en la **Pantalla de Conexión en Paralelo**:



- **ID:** En modo de conexión en paralelo, este es el número de ID del UPS.
- **MID:** Número de ID del UPS Maestro. (En el modo de conexión en paralelo, solo existe un UPS maestro).
- **INV:** “ ● ” significa “CONECTADO”.
- **ON:** “ ● ” significa “INVERSOR ENCENDIDO”.

# 8. Pantalla LCD y Configuraciones

## 8.4 Menú Principal

En la **Pantalla Principal**, oprima la tecla de función ( **←** ) para ingresar al **Menú Principal**.



### MEDIDA

Compruebe las lecturas de la alimentación principal, derivación, inversor, salida, batería, temperatura y BUS DC del UPS.

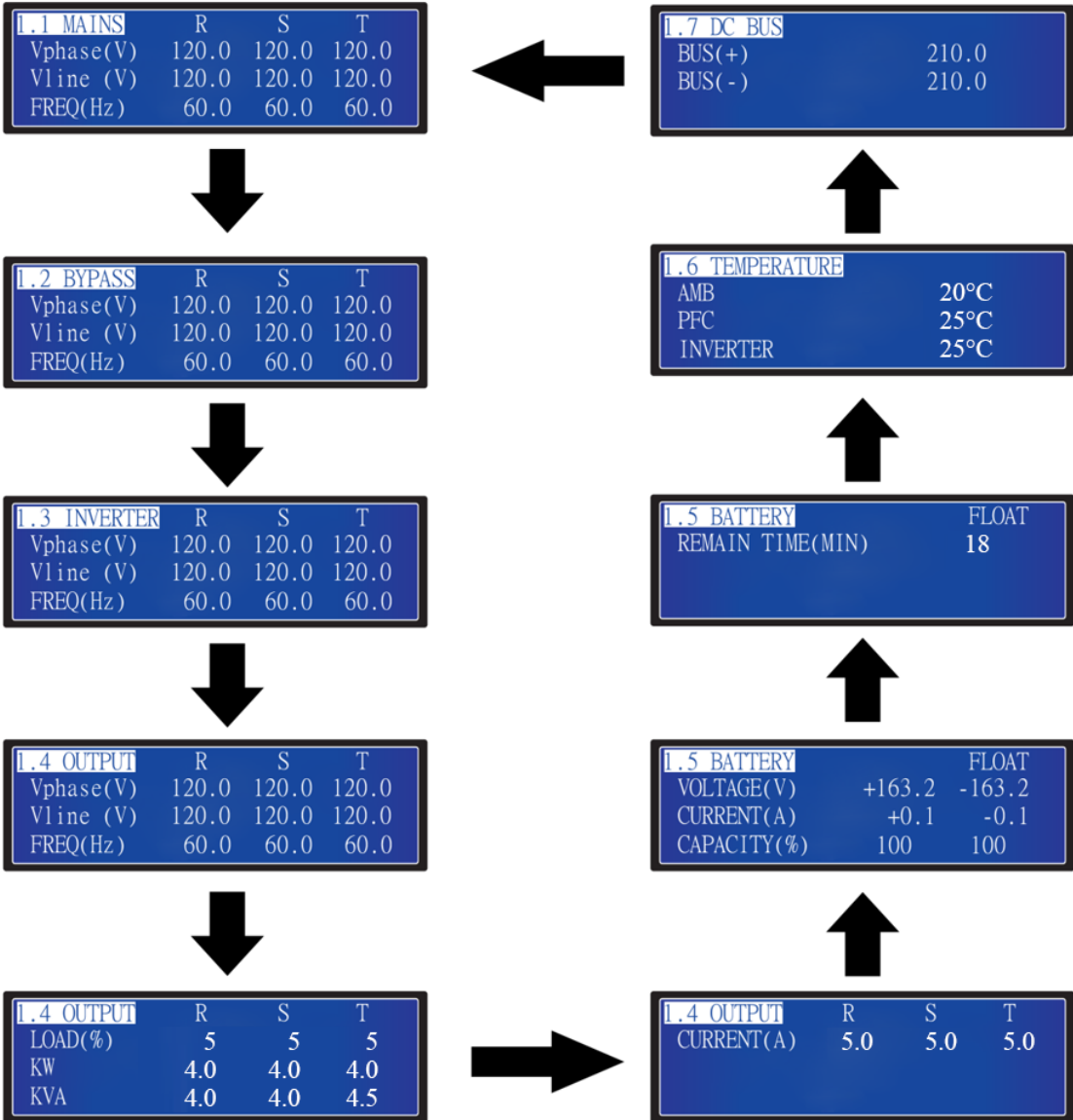
### MANTENIMIENTO

Revise el modelo, número de serie, versión del firmware, estadísticas, registro de eventos, reloj en tiempo real, control y prueba y configuración de idioma del UPS. El usuario puede configurar hasta los últimos dos puntos.

## 8.5 Medición

Ruta: **Pantalla Principal** → **Menú Principal** → **Medición**

Use las teclas de función ( **▲** ) y ( **▼** ) para comprobar la red, derivación, inversor, salida, batería, temperatura y lecturas del BUS de CD del UPS. Oprima ESC para regresar al menú principal.



# 8. Pantalla LCD y Configuraciones

## 8.6 Mantenimiento

Ruta: Pantalla Principal → Menú Principal → Mantenimiento

Use las teclas de función ( ▲ ) y ( ▼ ) para comprobar el modelo, número de serie, versión del firmware, estadísticas, registro de eventos, reloj en tiempo real, control y prueba y configuración de idioma del UPS. Oprima ( ← ) para cambiar para confirmar selección. Oprima ESC para regresar a la pantalla previa. El usuario puede configurar hasta los últimos dos puntos.

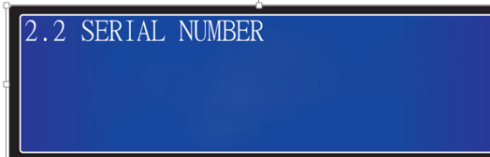
### Nombre del Modelo

Ruta: Pantalla Principal → Menú Principal → Mantenimiento → 2.1 Nombre de Modelo



### Número de Serie

Ruta: Pantalla Principal → Menú Principal → Mantenimiento → 2.2 Número de Serie



### Versión de Firmware

Ruta: Pantalla Principal → Menú Principal → Mantenimiento → 2.3 Versión de Firmware



La pantalla anterior muestra el PFC y la versión del Firmware del INVERSOR y SISTEMA. (se muestra V01 solo como ejemplo; la versión de firmware real puede ser diferente.)

### Estadísticas

Ruta: Pantalla Principal → Menú Principal → Mantenimiento → 2.4 Estadísticas

Oprima ( ← ) para cambiar a la siguiente pantalla.



- 1. TIEMPO DE OPERACIÓN (DD HH: MM: SS):** El tiempo total de operación del UPS.
- 2. CONTEOS EN RESPALDO POR BATERÍA:** Número de veces que el UPS opera en modo de respaldo por batería.
- 3. CONTEOS EN DERIVACIÓN:** Número de veces que el UPS opera en modo de derivación.
- 4. TOTAL DE REGISTROS DE EVENTOS:** El número total de eventos registrados el UPS. El número máximo de eventos guardados es 1,000.



## 8. Pantalla LCD y Configuraciones

### Registro de Eventos

Ruta: Pantalla Principal → Menú Principal → Mantenimiento → 2.5 Registro de Eventos



2.5 EVENT LOG 0100/1000  
17-02-01 00:00:00  
088: 001#  
AC MODE

La pantalla anterior muestra el número de evento, fecha de evento, hora y descripciones de eventos. Use las teclas de función (▲) y (▼) para visualizar otros eventos. El número de evento significa el código de evento. Cuanto mayor sea el número del evento, más reciente es el evento. Eventos antiguos serán sobrescritos cuando el número total de eventos supere la capacidad de almacenamiento (se pueden guardar hasta 1,000 entradas).

### Reloj de Hora Real

Ruta: Pantalla Principal → Menú Principal → Mantenimiento → 2.6 Reloj de Tiempo Real



2.6 REAL TIME CLOCK  
DATE(Y-M-D) 17-02-01  
TIME(H-M-S) 12:00:10

La pantalla anterior muestra fecha y hora.

### Control y Prueba

Ruta: Pantalla Principal → Menú Principal → Mantenimiento → 2.7 Control y Prueba



2.7 CONTROL & TEST	
BATT TEST	10sec
BEEP ENABLE	ON
COMMON BATT	OFF

2.7 CONTROL & TEST	
BEEP ENABLE	ON
COMMON BATT	OFF
SMB	OFF

1. **PRUEBA DE BATERÍA:** Activa o desactiva la prueba de la batería. Hay dos opciones:

**ABORTAR** – Cancela la descarga profunda de la batería. La descarga profunda puede abortarse en cualquier momento durante el proceso de descarga de la batería.

**PROFUNDA** – Descarga completamente la batería. Se recomienda después de la instalación inicial y anualmente en lo sucesivo para asegurar que se muestran valores de tiempo de funcionamiento correctos.

**10 s** – Descarga la batería por 10 segundos. Recomendado cada 30 días.

2. **ACTIVACIÓN DEL BIP:** Activa o desactiva el zumbador.

3. **BATERÍA COMÚN:** Si dos sistemas de UPS comparten una batería común, la configuración de batería común debe estar activada en ambos sistemas.

4. **SMB:** Bus Múltiple Sincronizado; para detalles, póngase en contacto con Soporte Técnico de Tripp Lite.

### Configuración de Idioma

Ruta: Pantalla Principal → Menú Principal → Mantenimiento → 2.8 Configuración de Idioma



2.8 LANGUAGE SETUP  
LANGUAGE English

La configuración predeterminada es inglés. Otras opciones de idioma de pantalla incluyen francés, alemán, ruso, portugués, español, turco y polaco.

## 9. Accesorios Opcionales

Hay varios accesorios opcionales disponibles para los sistemas UPS SmartOnline de la serie SUT. Refiérase por favor al sitio web de Tripp Lite en [www.tripplite.com](http://www.tripplite.com) para ver todos los accesorios, incluyendo comunicación, monitoreo y gabinetes de baterías asociadas para autonomía ampliada.

## 10. Mantenimiento

### UPS

#### 1. Limpieza del UPS:

Limpie regularmente el UPS, especialmente ventilas y aberturas, para asegurar que el aire fluya libremente en el UPS para evitar sobrecalentamiento. Si es necesario, use aire comprimido para limpiar las ventilas y aberturas para evitar que cualquier objeto bloquee o cubra estas áreas. No permita que el agua penetre las ventilas y aberturas durante la limpieza.

#### 2. Inspección Regular del UPS:

Revise el UPS regularmente cada seis meses e inspeccione:

- 1) Si el UPS, los LEDs y la función de alarma operan normalmente.
- 2) Si el UPS funciona en modo de derivación (típicamente, el UPS funcionará en modo Normal [en línea]). Si es así, compruebe si ocurre cualquier error, sobrecarga, falla interna, etc.
- 3) Si el voltaje de la batería es normal. Si el voltaje de la batería es demasiado alto o demasiado bajo, encuentre la causa raíz.

### Batería

El UPS SmartOnline® Trifásico de Tripp Lite con Batería Integrada usa baterías selladas de ácido y plomo. La vida de la batería depende de la temperatura de operación, el uso y la frecuencia de carga / descarga. Ambientes de alta temperatura y alta frecuencia alta de carga / descarga acortarán rápidamente la vida de la batería. Observe las sugerencias siguientes para asegurar una vida normal de la batería.

1. Mantenga la temperatura de operación entre 20~25 °C (68-77 °F).
2. Cuando el UPS necesite ser guardado por un período prolongado, las baterías deben recargarse cada tres meses por no menos de 24 horas cada vez.

### Ventilador

Temperaturas más altas acortan la vida del ventilador. Cuando el UPS esté funcionando, compruebe por favor que todos los ventiladores trabajen normalmente y asegure que el aire pueda moverse libremente alrededor y a través del UPS. Si no es así, reemplace los ventiladores.

**Nota: Para más información de mantenimiento, póngase en contacto con el Soporte Técnico de Tripp Lite. No realice el mantenimiento si no está calificado para ello.**

# 11. Solución de Problemas

Si los siguientes avisos se visualizan en la pantalla LCD, siga las soluciones que se enumeran a continuación.

Nº	Mensaje de Alarma	Causa Posible	Solución:
1	CORTO CIRCUITO	La salida tiene un problema de corto circuito.	Póngase en contacto con el personal de servicio.
2	FALLA DEL INVERSOR	El inversor está dañado.	Póngase en contacto con el personal de servicio.
3	SOBRE TEMPERATURA	La temperatura del UPS es demasiado alta.	<ol style="list-style-type: none"> <li>1. Elija un área bien ventilada.</li> <li>2. Reduzca la carga en el UPS.</li> <li>3. Compruebe si los ventiladores funcionan normalmente.</li> <li>4. Limpie los filtros si están instalados.</li> </ol>
4	FALLA DE SOBRE TEMPERATURA AMBIENTE DEL PFC.	La temperatura del UPS es demasiado alta.	<ol style="list-style-type: none"> <li>1. Elija un área bien ventilada.</li> <li>2. Reduzca la carga en el UPS.</li> <li>3. Compruebe si los ventiladores funcionan normalmente.</li> <li>4. Limpie los filtros si están instalados.</li> </ol>
5	SCR DEL INVERSOR ABIERTO	El controlador del SCR del inversor es anormal.	Póngase en contacto con el personal de servicio.
6	SCR DE DERIVACIÓN ABIERTO	El controlador del SCR de la derivación es anormal.	Póngase en contacto con el personal de servicio.
7	SOBRECARGA	El UPS está sobrecargado.	Elimine algunas carga innecesarias para dejar la capacidad total de carga por debajo del 95%.
8	FALLA DE VENTILADOR	Los ventiladores están dañados o atascados.	Póngase en contacto con el personal de servicio.
9	FALLA DE CORTO DEL SCR DE LA DERIVACIÓN	<ol style="list-style-type: none"> <li>1. El controlador del SCR de la derivación está dañado.</li> <li>2. El SCR de la derivación tiene un problema de corto circuito.</li> </ol>	Póngase en contacto con el personal de servicio.
10	FALLA DE CORTO DE SCR DE ENTRADA	<ol style="list-style-type: none"> <li>1. El controlador del SCR de la entrada está dañado.</li> <li>2. El SCR de la entrada tiene un problema de corto circuito.</li> </ol>	Póngase en contacto con el personal de servicio.
11	FALLA DEL FUSIBLE DE SALIDA	El fusible de salida está abierto.	Póngase en contacto con el personal de servicio.
12	FALLA DE LA ENERGÍA AUXILIAR	La energía auxiliar está dañada.	Póngase en contacto con el personal de servicio.
13	PROTECCIÓN DE INDUSTRIA	En modo industrial, la salida tiene un problema de sobrecorriente.	Compruebe si la salida es normal.
14	BATERÍA INVERTIDA	Las baterías están conectadas invertidas.	Compruebe la polaridad de las baterías.
15	FALLA DE SECUENCIA DE LA FASE DE ENTRADA	La secuencia de la fase de entrada es errónea.	Compruebe la secuencia de la fase de entrada.
16	FALLA DEL ARRANQUE SUAVE DEL INVERSOR	<ol style="list-style-type: none"> <li>1. La detección del inversor es anormal.</li> <li>2. El controlador del inversor está dañado.</li> </ol>	Póngase en contacto con el personal de servicio.
17	FALLA DE COMUNICACIÓN INTERNA	El cable de comunicación interna no está bien conectado.	Póngase en contacto con el personal de servicio.
18	FALLA DEL SUPERVISOR DE PFC	El CPU del PFC está dañado.	Póngase en contacto con el personal de servicio.
19	APAGADO ALTO DEL BUS CD	<ol style="list-style-type: none"> <li>1. La salida tiene anomalías.</li> <li>2. El UPS tiene fallas internas.</li> </ol>	Póngase en contacto con el personal de servicio.
20	APAGADO BAJO DEL BUS CD	<ol style="list-style-type: none"> <li>1. La salida tiene anomalías.</li> <li>2. El UPS tiene fallas internas.</li> </ol>	Póngase en contacto con el personal de servicio.
21	FALLA DEL FUSIBLE DE ENTRADA	El fusible de entrada está abierto.	Póngase en contacto con el personal de servicio.
22	FALLA DEL SUPERVISOR DEL INVERSOR	El CPU del inversor está dañado.	Póngase en contacto con el personal de servicio.
23	FALLA DEL ARRANQUE SUAVE DEL PFC	<ol style="list-style-type: none"> <li>1. El tubo rectificador está dañado.</li> <li>2. El controlador está dañado.</li> </ol>	Póngase en contacto con el personal de servicio.
24	FALLA DE SECUENCIA DE FASE DE DERIVACIÓN	La secuencia de fase de derivación es errónea.	Compruebe la secuencia de fase de derivación.
25	FALLA DE NTC ABIERTO	<ol style="list-style-type: none"> <li>1. El NTC no está bien conectado.</li> <li>2. La línea del NTC está abierta.</li> </ol>	Póngase en contacto con el personal de servicio.
26	CORTO DEL SCR DE SALIDA DEL INVERSOR	<ol style="list-style-type: none"> <li>1. El controlador del SCR del inversor es anormal.</li> <li>2. El SCR del inversor está dañado.</li> </ol>	Póngase en contacto con el personal de servicio.
27	APAGADO POR BATERÍA BAJA	El voltaje de la batería es bajo.	Cargue las baterías.
28	FALLA DE NIVEL DE BATERÍA	El resultado de la prueba de la batería es anormal	Póngase en contacto con Soporte Técnico de Tripp Lite

**Nota:** Si se eliminan todas las causas posibles pero la alarma sigue apareciendo, póngase en contacto con Soporte Técnico de Tripp Lite.

# Apéndice 1: Especificaciones Técnicas

Modelo	SUT20K	SUT30K	SUT40K	SUT60K	
<b>CAPACIDAD</b> (reducción a 0.9 del FP condicional)	20kVA / 20kW	30kVA / 30kW	40kVA / 40kW	60kVA / 60kW	
<b>TOPOLOGÍA</b>	Doble Conversión 100% en Línea con Voltaje y Frecuencia Independientes (VFI)				
<b>ENTRADA</b>					
Voltaje	208V / 220V (entre Fases), 120V / 127V (Fase a Neutro)				
Rango de Voltaje	Rango a Plena Carga: 187V ~253V AC (entre Fases), 108V ~ 146V AC (Fase a Neutro) Rango Reducido de 100% a 63% de carga: 125V ~ 187V AC (entre Fases), 72V ~ 108V AC (Fase a Neutro)				
Fase	Tres fases, neutro y tierra				
Frecuencia de Operación	50/60Hz (seleccionable)				
Rango de Frecuencia	40Hz ~ 70Hz				
Factor de Potencia	>0.99%				
THDi	<4%				
Puente de Inversor	Tecnología IGBT				
<b>SALIDA</b>					
Voltaje	208V / 220V (entre Fases), (3 fases, 4 hilos, referencia de neutro para derivar neutro)				
Regulación de Voltaje de CA	±1%				
Factor de Potencia	1				
Frecuencia	50/60 Hz (seleccionable)				
Rango de Frecuencia	±0.05 Hz				
Sobrecarga	Modo CA	105%: continuos			
		106% ~ 125%: 10 min			
		126% ~150%: 1 min			
		>150%: 1 s			
Factor de Cresta	3:1				
Distorsión Armónica	<3% (Carga Lineal)				
Forma de Onda de Salida	Onda sinusoidal pura				
<b>DERIVACIÓN</b>					
Derivación Automática	Estándar				
Derivación Manual para Mantenimiento	Estándar				
Tiempo de Transferencia	≤ 1 ms				
Tolerancia de Voltaje de Derivación Predeterminado	±15%				
Sobrecarga	Refiérase a la capacidad del Breaker de Derivación				
<b>BATERÍA</b>					
Tipo de Batería	Plomo-Ácido sellada regulada por válvula libre de mantenimiento (VRLA)				
Capacidad de la Batería	12V/9AH	12 x 4 series	12 x 6 series	12 x 6 series	12 x 8 series
Voltaje en Flotación	±163.2V (±2V)				
Voltaje de Refuerzo	±168V (±2V)				
Voltaje de Fin de Descarga	±120V (±2V)				

# Apéndice 1: Especificaciones Técnicas

Modelo		SUT20K	SUT30K	SUT40K	SUT60K
Tiempo de Almacenamiento de la Batería		6 meses (sin recarga, 25 °C [77 °F])			
Cartucho de Batería de Reemplazo (R.B.C.)		RBCSUT			
Capacidad del Cargador de Batería	Mínimo	1A	1A	1A	1A
	Máximo	10A	10A	20A	20A
	Predeterminado	2A	3A	3A	4A
<b>AMBIENTE</b>					
Eficiencia (Modo de Inversor)		Hasta 94%			
Eficiencia (Modo ECO)		Hasta 98%			
Temperatura de Operación		0 °C ~ 40 °C			
Temperatura de Almacenamiento (Excluyendo el Módulo de Baterías)		-15 °C ~ 60 °C			
Humedad en funcionamiento		0% ~ 95% (sin condensación)			
Altitud de Operación		<1000 m (1% de reducción por cada 100 m sobre 1000 m)			
Ruido Audible		<65dBA	<65dBA	<70dBA	<70dBA
Grado de Protección		IP20			
<b>ADMINISTRACIÓN</b>					
LCD Multifuncional		Estándar			
RS232 (Serial)		Estándar			
USB		Estándar			
SNMP		Opción			
Interfaz del Relevador		Estándar			
EPO (Emergency Power Off [Apagado de Emergencia])		Estándar			
<b>ESTÁNDARES</b>					
Seguridad		UL 1778, CSA C22.2 N° 107.3			
EMC		FCC Parte 15 Clase A (EMC)			
Sobretensión		IEC/EN 61000-4-5 nivel 4			
Inmunidad de Conducción		IEC/EN 61000-4-6			
Aprobaciones		UL			
<b>AUTONOMÍA POR BATERÍA</b>					
50% / 75% / 100% de carga (min)		15 / 9 / 5	15 / 9 / 6	11 / 6 / 3.5	9.5 / 5 / 3
<b>DIMENSIONES Y PESOS</b>					
Medidas (Al x An x Pr)		1380 x 521 x 800 mm [54.3 x 20.5 x 31.5 pulg.]	1380 x 521 x 800 mm [54.3 x 20.5 x 31.5 pulg.]	1760 x 521 x 800 mm [69.3 x 20.5 x 31.5 pulg.]	1760 x 521 x 800 mm [69.3 x 20.5 x 31.5 pulg.]
Peso		360 kg [794 lb.]	420 kg [926 lb.]	480 kg [1058 lb.]	560 kg [1235 lb.]
Dimensiones de Embarque (Al x An x Pr)		1570 x 720 x 1000 mm [61.8 x 28.3 x 39.4 pulg.]	1570 x 720 x 1000 mm [61.8 x 28.3 x 39.4 pulg.]	1920 x 720 x 1000 mm [75.6 x 28.3 x 39.4 pulg.]	1920 x 720 x 1000 mm [75.6 x 28.3 x 39.4 pulg.]
Peso de Embarque		400 kg [882 lb.]	460 kg [1014 lb.]	530 kg [1168 lb.]	610 kg [1345 lb.]
Color		RAL 9005 (Negro)			

## Notas:

1. Refiérase por favor a la etiqueta de especificaciones para la especificación de seguridad.
2. Todas las especificaciones están sujetas a cambios sin previo aviso.

## Apéndice 2: Garantía

### Garantía Limitada por 1 año

El vendedor garantiza este producto, si se usa de acuerdo con todas las instrucciones aplicables, de que está libre de defectos en material y mano de obra por un período de 1 año a partir de la fecha de compra inicial. Si el producto resulta defectuoso en material o mano de obra dentro de ese período, el vendedor reparará o reemplazará el producto a su entera discreción. El servicio cubierto por esta garantía incluye partes y mano de obra en un centro de servicio de Tripp Lite. En Tripp Lite están disponibles planes de servicio en sitio a través de socios de servicio autorizados (en la mayoría de las áreas). Para detalles, visite [www.tripplite.com](http://www.tripplite.com). Los clientes internacionales deben ponerse en contacto con el soporte de Tripp Lite en [intlservice@tripplite.com](mailto:intlservice@tripplite.com).

ESTA GARANTÍA NO APLICA AL DESGASTE NORMAL O A DAÑOS RESULTANTES DE ACCIDENTES, MAL USO, ABUSO O NEGLIGENCIA. EL VENDEDOR NO OTORGA GARANTÍAS EXPRESAS DISTINTAS DE LA ESTIPULADA EN EL PRESENTE. SALVO EN LA MEDIDA EN QUE LO PROHÍBAN LAS LEYES APLICABLES, TODAS LAS GARANTÍAS IMPLÍCITAS, INCLUYENDO TODAS LAS GARANTÍAS DE COMERCIALIZACIÓN O IDONEIDAD, ESTÁN LIMITADAS EN DURACIÓN AL PERÍODO DE GARANTÍA ESTABLECIDO; ASIMISMO, ESTA GARANTÍA EXCLUYE EXPRESAMENTE TODOS LOS DAÑOS INCIDENTALES E INDIRECTOS. (Algunos estados no permiten limitaciones en cuanto dura una garantía y algunos estados no permiten la exclusión de limitación de daños incidentales o consecuenciales, de modo que las limitaciones anteriores pueden no aplicar para usted. Esta garantía le otorga derechos legales específicos y usted puede tener otros derechos que pueden variar de una jurisdicción a otra).

Tripp Lite; 1111 W. 35th Street; Chicago IL 60609; USA

ADVERTENCIA: antes de usarlo, cada usuario debe tener cuidado al determinar si este dispositivo es adecuado o seguro para el uso previsto. Ya que las aplicaciones individuales están sujetas a gran variación, el fabricante no garantiza la adecuación de estos dispositivos para alguna aplicación específica.

### Números de Identificación de Conformidad Regulatoria

Para el propósito de certificaciones e identificación de conformidad con las normas, su producto Tripp Lite ha recibido un número de serie exclusivo. El número de serie puede encontrarse en la etiqueta de placa de identificación, junto con todas las marcas e información requeridas de aprobación. Al solicitar información de conformidad para este producto, refiérase siempre al número de serie. El número de serie no debe confundirse con el nombre de la marca o el número de comercialización del producto.

Tripp Lite tiene una política de mejora continua. Las especificaciones están sujetas a cambios sin previo aviso.

### Notas sobre la etiqueta

Estos símbolos se usan en la etiqueta:

- V~ Voltaje de CA
- V= Voltaje de CD
- Ø Fase
- ⊕ Tierra

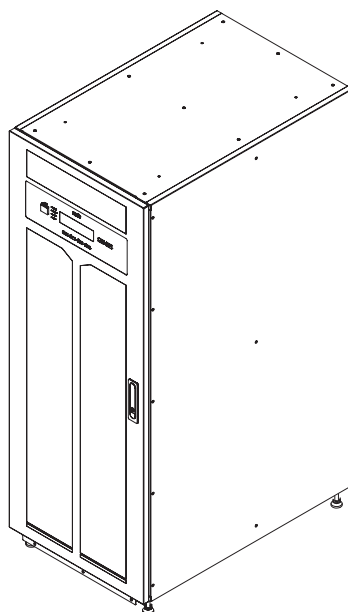


# Manuel de l'utilisateur

## **SUT SmartOnline®** **Onduleur triphasé** **20/30/40/60 kVA**

**Modèles : SUT20K, SUT30K, SUT40K, SUT60K**  
**AG-01F9, AG-01FA, AG-01FB, AG-01FC**

**Entrée : 120/127 V (Ph-N)**  
**208/220 V (Ph-Ph), 3 ph à 4 fils + PE**



1111 W. 35th Street, Chicago, IL 60609 USA • [www.tripplite.com/support](http://www.tripplite.com/support)

Droits d'auteur © 2017 Tripp Lite. Tous droits réservés.

# Table des matières

<b>1. Introduction</b>	<b>89</b>
<b>2. Consignes de sécurité importantes</b>	<b>90</b>
2.1 Avertissements concernant le placement	90
2.2 Avertissements concernant les connexions	90
2.3 Avertissements concernant l'utilisation	90
2.4 Avertissements concernant l'entreposage	91
2.5 Glossaire des symboles	91
2.6 Conformité aux normes	92
<b>3. Installation et câblage</b>	<b>92</b>
3.1 Avertissement important en matière de sécurité	92
3.2 Transport	93
3.3 Livraison	93
3.4 Environnement d'installation	93
3.5 Installation de l'onduleur	94
3.6 Câblage	96
3.6.1 Précautions avant le câblage	96
3.6.2 Procédure de câblage	97
3.6.3 Câblage des appareils en parallèle	100
3.7 Précautions concernant le raccordement de l'armoire de batteries externes	101
<b>4. Composants du système</b>	<b>103</b>
4.1 Aspect et dimensions	103
4.2 Vue avant	103
4.3 Vue avant avec la porte ouverte	104
4.4 Panneau de commande	105
4.5 Panneau arrière	106
<b>5. Modes de fonctionnement</b>	<b>108</b>
<b>6. Interfaces de communication</b>	<b>111</b>
<b>7. Fonctionnement</b>	<b>115</b>
7.1 Raccorder l'onduleur avec l'alimentation CA du secteur	115
7.2 Mise sous tension (démarrage de l'inverseur)	115
7.3 Mise hors tension (arrêt de l'onduleur)	115
7.4 Procédure de démarrage à froid (démarrage de la batterie)	115
<b>8. Écran ACL et paramètres de réglage</b>	<b>116</b>
8.1 Hiérarchie de l'écran ACL	116
8.2 Menu des paramètres	118
8.3 Écran parallèle	121
8.4 Menu principal	122
8.5 Mesure	122
8.6 Maintenance	123
<b>9. Accessoires disponibles en option</b>	<b>125</b>
<b>10. Maintenance</b>	<b>125</b>
<b>11. Dépannage</b>	<b>126</b>
<b>Annexe 1 : Caractéristiques techniques</b>	<b>127</b>
<b>Annexe 2 : Garantie</b>	<b>129</b>
<b>English</b>	<b>1</b>
<b>Español</b>	<b>44</b>



# 1. Introduction

L'onduleur SmartOnline de série SUT de Tripp Lite est un onduleur triphasé à véritable conversion double en ligne indépendant de la tension et de la fréquence. L'onduleur conditionne continuellement l'alimentation électrique entrante, éliminant les fluctuations de puissance et les interruptions qui autrement endommageraient les appareils électroniques sensibles et entraîneraient des temps d'indisponibilité du système.

L'onduleur applique la technologie de contre numérique DSP la plus récente et un facteur de puissance de sortie jusqu'à l'appareil. L'efficacité de l'onduleur atteint jusqu'à 94 % en fonctionnement normal et jusqu'à 98 % en mode ECO, ce qui en fait l'un des onduleurs les plus efficaces de sa classe. En plus de fournir en tout temps de l'alimentation propre, fiable et sans interruption aux appareils électroniques sensibles, l'onduleur SmartOnline SUT produit une efficacité énergétique supérieure à moindre coût.

Avec quatre différents niveaux de puissance nominale – 20 kVA, 30 kVA, 40 kVA et 60 kVA – et en offrant la capacité de mettre en parallèle jusqu'à 4 appareils, l'onduleur offre de nombreuses options de capacité pour répondre aux exigences de la charge et offre les fonctionnalités suivantes :

- Onduleur en ligne réel. Niveau le plus élevé de protection de l'onduleur, régulant complètement l'alimentation électrique entrante et passant immédiatement en mode batterie en cas d'une panne de courant prolongée pour continuellement prendre en charge les charges critiques.
- Technologie de modulation haute fréquence entièrement numérique qui réduit le volume de fonctionnement, améliore la fiabilité et prolonge la vie utile.
- La vaste plage de tension d'entrée CA minimise le transfert fréquent du fonctionnement normal au mode batterie, économisant la consommation de la batterie et prolongeant la durée de vie de la batterie.
- Rendement élevé – la baisse des pertes réduit les coûts liés au refroidissement et prolonge la durée de vie du système.
- Facteur de puissance de sortie de l'appareil – davantage de puissance réelle permet de prendre en charge plus d'équipement.
- L'écran ACL programmable permet aux utilisateurs de configurer confortablement les paramètres de l'onduleur; les conditions de fonctionnement principales sont visibles via l'écran ACL pour une surveillance claire et précise.
- Communication en série, USB et via des contacts libres de potentiel en standard; options SNMP et MODBUS pour une configurabilité optimale. Surveillance et gestion de l'onduleur via le logiciel de gestion de l'alimentation gratuit PowerAlert® de Tripp Lite. Télécharger à [www.tripplite.com/poweralert](http://www.tripplite.com/poweralert).
- La détection automatique des ventilateurs indique si les ventilateurs fonctionnent normalement; le contrôle de la vitesse des ventilateurs à plusieurs étages permet d'améliorer leur fiabilité et leur efficacité, réduit les bruits de fonctionnement et prolonge la durée de vie des ventilateurs.
- La charge forcée et la charge d'entretien sont toutes les deux fournies. Le courant de charge est réglable de 1 A à 20 A. Le mode de chargement est lié au courant de chargement, maintenant les batteries à pleine capacité et prolongeant la durée de vie des batteries (tension de la charge d'entretien : 163,2 V; tension de la charge forcée : 168 V CC).

L'onduleur SmartOnline SUT est idéalement conçu pour protéger l'équipement électrique critique pour :

- Les centres de données
- Les télécommunications
- Les systèmes de réseaux informatiques
- L'équipement de traitement médical
- Les systèmes de surveillance
- Les milieux industriels légers
- Les institutions financières

## 2. Consignes de sécurité importantes

### CONSERVEZ CES INSTRUCTIONS.

Ce manuel contient des instructions et des avertissements qui doivent être respectés pendant l'installation, l'utilisation et l'entreposage de ce produit. Le non-respect de ces instructions et de ces avertissements pourrait avoir une incidence sur la garantie du produit.

### 2.1 Avertissements concernant le placement

Installer l'onduleur dans un environnement intérieur bien ventilé, à l'écart de l'humidité excessive, de la chaleur, de la poussière, des gaz inflammables ou des explosifs. Laisser suffisamment de place autour de l'onduleur pour avoir une bonne ventilation. Se reporter à **3.4 Environnement d'installation**.

### 2.2 Avertissements concernant les connexions

- L'onduleur doit être bien mis à la terre en raison d'un risque possible de fuite de courant.
- Des dispositifs de protection et des contacteurs à 4 pôles doivent être installés lorsque l'onduleur est connecté au secteur et à la source de dérivation. Pour des informations pertinentes, se reporter à **3.6.1 Précautions avant le câblage**.
- Les dispositifs de protection raccordés à l'onduleur doivent être installés près de l'onduleur et être facilement accessibles pour le fonctionnement.

### 2.3 Avertissements concernant l'utilisation



#### AVERTISSEMENT :

Pour éviter les conditions dangereuses durant l'installation ou la maintenance de l'onduleur, ces tâches doivent être effectuées uniquement par un ingénieur autorisé par Tripp Lite. Les procédures de démarrages appropriés doivent être respectées pour que la garantie soit valide. Contacter Tripp Lite pour des informations supplémentaires.

- Il s'agit d'un produit de classe A. Dans un environnement domestique, ce produit peut produire des interférences radio, et dans un tel cas, l'utilisateur est tenu de prendre les mesures adéquates.
- Il n'est pas recommandé d'utiliser cet équipement pour des appareils de survie où une défaillance de cet équipement peut, selon toute vraisemblance, entraîner la défaillance de l'appareil de maintien de la vie ou affecter de façon majeure sa sécurité ou son efficacité.
- Si l'onduleur doit être raccordé à une charge de moteur, le raccordement doit être confirmé par du personnel d'entretien qualifié.
- Les onduleurs en parallèle peuvent être connectés avec des batteries usuelles. Avant d'installer les batteries en parallèle, s'assurer que la différence de tension des batteries entre chaque onduleur est inférieure à 5 V CC.
- Les événements externes et les ouvertures dans l'onduleur sont destinés à la ventilation. Pour assurer un fonctionnement fiable de l'onduleur et pour prévenir sa surchauffe, ces événements et ces ouvertures ne doivent jamais être bloqués ou couverts. Ne pas insérer des objets dans les événements et les ouvertures qui pourraient empêcher la ventilation.
- Dans un environnement à basse température (inférieure à 0 °C/32 °F), il est important de laisser l'onduleur s'ajuster à la température ambiante pendant au moins une heure avant l'utilisation afin d'éviter que l'humidité ne se condense à l'intérieur de l'onduleur.
- Ne pas placer de contenants de boissons ou d'autres liquides sur l'onduleur, l'armoire de batteries ou tout autre accessoire associé à l'onduleur.
- Il existe un risque de haute tension dangereuse quand les batteries sont toujours connectées à l'onduleur, même si l'onduleur n'est plus branché au secteur. Ne pas oublier de déconnecter le câble des batteries pour couper complètement la source de batteries. Pour en savoir plus au sujet de l'entretien des batteries, se reporter à **4.3 Vue avant avec la porte ouverte**.
- Tous les services d'entretien doivent être effectués par du personnel d'entretien qualifié. Pour éviter les risques de décharges électriques, ne pas ouvrir ou retirer le couvercle de l'onduleur.
- Ne pas ouvrir ou endommager la batterie ou les batteries. Les électrolytes dégagés sont dangereux pour la peau et les yeux et peuvent être toxiques.
- Ne jetez pas la batterie ou les batteries dans le feu. Les batteries risqueraient d'exploser.
- Les batteries contiennent des substances chimiques qui pourraient compromettre ou polluer notre environnement. Contacter le fournisseur mentionné sur les batteries pour éliminer les batteries de façon appropriée.
- Une batterie peut présenter un risque de décharge électrique et de courant élevé des courts-circuits. Les précautions suivantes doivent être observées lors du remplacement des batteries :
  1. Enlever les montres, les bagues ou tout autre objet métallique.
  2. Utiliser des outils ayant des poignées isolées.
  3. Porter des gants et des bottes isolés.
  4. Ne pas déposer d'outils ou de pièces métalliques sur les batteries.
  5. Débrancher la source de chargement avant de brancher ou débrancher les bornes des batteries.
- Contacter du personnel d'entretien qualifié si l'un des événements suivants se produit :
  1. Du liquide est versé ou a été éclaboussé sur l'onduleur.
  2. L'onduleur ne fonctionne pas normalement après avoir observé attentivement les instructions dans ce manuel de l'utilisateur.



## 2. Consignes de sécurité importantes

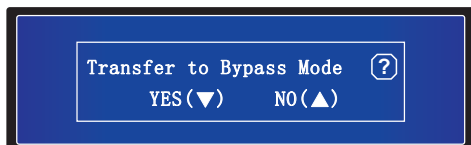
### 2.4 Avertissements concernant l'entreposage

#### Avant l'installation
















Si l'onduleur doit être entreposé avant l'installation, s'assurer que l'endroit est sec. La température d'entreposage permise se situe entre -15~40 °C (5~104 °F).

#### Après l'utilisation

Appuyer sur la touche **OFF** (  ) une fois et l'écran ACL s'affichera avec l'écran ci-dessous. Pour mettre l'onduleur hors tension, appuyer sur la touche **DOWN** (  ). S'assurer que l'onduleur se trouve en mode de dérivation, débrancher l'onduleur de l'alimentation du secteur, ouvrir les porte-fusibles des batteries internes (se reporter à **4.3 Vue avant avec la porte ouverte**), retirer tout l'équipement de l'onduleur, puis entreposer l'onduleur dans un endroit sec et bien ventilé à une température se situant entre -15~40 °C (5~104 °F). Les batteries non utilisées doivent être rechargées complètement une fois tous les trois mois si l'onduleur doit être entreposé pour une période de temps prolongée. Le temps de chargement ne doit pas dépasser 24 heures à la fois.



### 2.5 Glossaire des symboles

N°	Symbole	Description
1	 <b>NORMAL</b>	Indicateur à DEL de mode online : vert
2	 <b>BATTERY</b>	Indicateur à DEL de mode batterie : jaune
3	 <b>BYPASS</b>	Indicateur à DEL de mode de dérivation : jaune
4	 <b>FAULT</b>	Indicateur à DEL de défaillance : rouge
5		Touche ON (marche)
6		Touche OFF (arrêt)
7		Permet de revenir à l'écran précédent ou annule la sélection actuelle
8		Permet de descendre/diminuer le nombre
9		Permet de monter/augmenter le nombre
10		Confirme la sélection
11		Touche EPO (arrêt d'urgence)
12	R	Phase R de l'entrée CA/sortie de l'onduleur
13	S	Phase S de l'entrée CA/sortie de l'onduleur
14	T	Phase T de l'entrée CA/sortie de l'onduleur
15	N	Alimentation neutre d'entrée/alimentation neutre de sortie/alimentation neutre de la batterie
16		Pour la mise à la terre de l'onduleur
17		Pour la mise à la terre de la charge critique/Pour la mise à la terre de l'armoire de batteries externes
18		Borne positive de la batterie
19		Borne négative de la batterie

## 2. Consignes de sécurité importantes

### 2.6 Conformité aux normes

Ce produit répond aux normes de sécurité suivantes et aux normes d'inspection de la compatibilité électromagnétique (CEM) :

- UL 1778
- CSA C22.2 N° 107.3
- FCC Partie 15 Classe A (CEM)
- GB17626-2/CEI 61000-4-2 (ESD) niveau 4
- GB17626-3/CEI 61000-4-3 (champ rayonné) niveau 3
- GB17626-4/CEI 61000-4-4 (EFT) niveau 4
- GB17626-5/CEI 61000-4-5 (surtension) niveau 4

## 3. Installation et câblage

### 3.1 Avertissement important en matière de sécurité

Lire entièrement ce manuel avant d'entreprendre toute installation et tout câblage. Un ingénieur autorisé par Tripp Lite doit effectuer le démarrage de l'onduleur et un formulaire de complétion du démarrage doit être retourné à Tripp Lite afin d'activer la garantie du SUT SmartOnline. Veuillez contacter votre fournisseur local ou [intservice@tripplite.com](mailto:intservice@tripplite.com) pour plus de détails. Pour trouver votre personne-ressource locale, visitez [www.tripplite.com/support/contacts](http://www.tripplite.com/support/contacts), puis cliquez sur « Service Centers » (Centres de service).

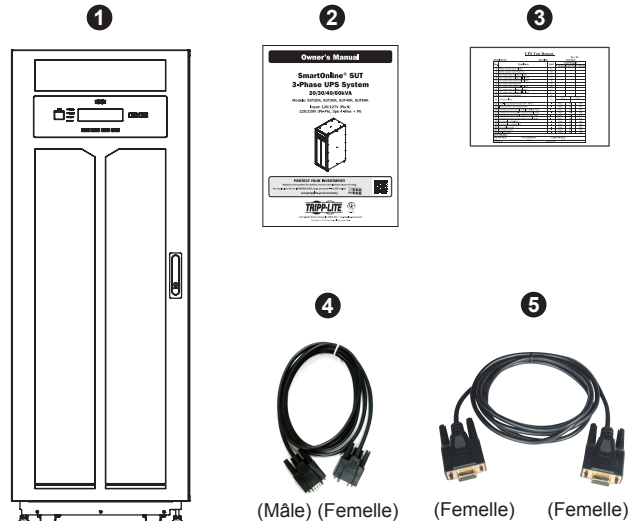
#### Inspection de l'emballage

##### Extérieur

Inspecter l'emballage extérieur de l'onduleur. Si des dommages sont observés, contacter immédiatement le fournisseur chez qui l'onduleur a été acheté.

##### Intérieur

1. Vérifier l'étiquette de valeurs nominales sur le dessus du boîtier de l'onduleur et s'assurer que le numéro de l'appareil et la capacité correspondent à ce qui a été commandé.
2. Vérifier l'absence de toute pièce desserrée ou endommagée.
3. L'emballage de l'onduleur contient les éléments répertoriés ci-dessous. Vérifier qu'aucun des éléments n'est manquant.
4. S'il manque quelque chose ou si quelque chose est endommagé, contacter immédiatement le fournisseur chez qui l'onduleur a été acheté.
5. Si l'onduleur doit être retourné, remballer soigneusement l'onduleur et tous les accessoires en utilisant le matériel d'emballage livré avec l'appareil.



N°	Article	SUT20K	SUT30K	SUT40K	SUT60K
1	Onduleur (avec batteries internes)	1 pce	1 pce	1 pce	1 pce
2	Manuel de l'utilisateur	1 pce	1 pce	1 pce	1 pce
3	Carte d'essai	1 pce	1 pce	1 pce	1 pce
4	Câble RS-232 (Mâle/Femelle)	1 pce	1 pce	1 pce	1 pce
5	Câble parallèle (Femelle/Femelle)	1 pce	1 pce	1 pce	1 pce

#### Remarques :

1. Les supports d'équilibre ont été verrouillés sur la palette lorsque l'onduleur est expédié de l'usine. Les garder bien entretenus après le déballage, car il peut être nécessaire de les utiliser pour l'installation.

## 3. Installation et câblage

### 3.2 Transport



#### AVERTISSEMENT

L'onduleur est emballé sur une palette apte à la manutention avec un chariot élévateur à fourche. Si un chariot élévateur à fourche ou tout autre équipement est utilisé pour déplacer l'onduleur, s'assurer que sa capacité de charge est suffisante pour supporter le poids total de l'emballage de l'onduleur.

L'onduleur est fixé sur la palette avec quatre supports d'équilibre. Ne pas jeter les supports d'équilibre, car ils peuvent être nécessaires pour l'installation (consulter la section **3.5 Installation de l'onduleur**). Au moment de les retirer, prêter attention au mouvement des roulettes pour éviter les accidents.

Le boîtier de l'onduleur peut être poussé uniquement vers l'avant ou vers l'arrière; il ne peut pas être déplacé latéralement.

Si l'onduleur est déplacé sur une longue distance, utiliser un équipement approprié comme un chariot élévateur à fourche; déplacer le boîtier de l'onduleur dans son emballage d'origine jusqu'au site de sa destination finale.

### 3.3 Livraison

Inspecter attentivement le matériel d'emballage et le boîtier de l'onduleur au moment de la livraison. Ne pas installer un onduleur endommagé, le connecter à une batterie ou au secteur. La boîte d'emballage de l'onduleur est munie d'un dispositif anti-bascule. Confirmer que le dispositif n'indique aucun choc ou aucune inclinaison excessive durant le transit. Si le dispositif indique qu'il y a eu un choc excessif ou une inclinaison excessive, ne pas installer l'onduleur et contacter le représentant Tripp Lite local.

### 3.4 Environnement d'installation

- L'onduleur est conçu pour être utilisé à l'intérieur uniquement. Ne pas placer ou installer l'onduleur dans un espace extérieur.
- Au moment de déplacer l'onduleur vers son site d'installation, s'assurer que tous les corridors, toutes les portes, tous les portails, tous les ascenseurs, tous les planchers, etc. peuvent recevoir et supporter le poids combiné de l'onduleur, toute armoire de batteries associée et tout l'équipement de manutention. Consulter l'**Annexe 1** pour les poids combinés de l'onduleur.
- Le site d'installation doit avoir un circuit CA dédié disponible compatible avec les exigences d'entrée de l'onduleur. Consulter l'**Annexe 1** pour les spécifications de l'entrée.
- S'assurer que l'espace d'installation est suffisant pour l'entretien et la ventilation de l'onduleur.
- Maintenir la température de l'espace d'installation en deçà de 30 °C (86 °F) et l'humidité en deçà de 90 %. L'altitude de fonctionnement la plus élevée est 2 000 m (6 500 pi) au-dessus du niveau de la mer. Prendre en considération les valeurs de déclassement lorsque l'onduleur est utilisé à plus de 1 000 m (3 300 pi); consulter l'Annexe 1. La température de fonctionnement optimale pour les batteries se situe entre 20 et 25 °C (68 et 77 °F).
- L'onduleur devrait être placé dans un environnement avec de l'air propre et une ventilation adéquate pour maintenir la température ambiante à l'intérieur de la plage de fonctionnement de l'onduleur.
- L'onduleur est refroidi par air à l'aide de ventilateurs internes. Ne pas couvrir les ouvertures de ventilation de l'onduleur.
- Installer l'onduleur dans un endroit où les murs, les planchers et les plafonds sont construits avec des matériaux ignifuges. L'onduleur peut être monté uniquement sur du béton ou d'autres surfaces non combustibles.
- Installer un extincteur à poudre sèche ou un extincteur à neige carbonique dans l'espace d'installation.
- S'assurer que l'espace d'installation est suffisant pour l'entretien et la ventilation :
  - o Maintenir un espace libre de 1 m (3 pi) depuis l'avant de l'onduleur.
  - o Maintenir un espace libre de 50 cm (1,67 pi) depuis l'arrière et les deux côtés de l'onduleur.

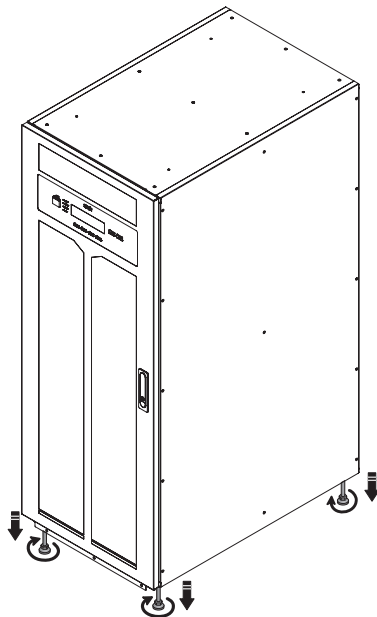
## 3. Installation et câblage

### 3.5 Installation de l'onduleur

Il y a deux méthodes d'installation. L'une de ces méthodes est avec les supports d'équilibre et l'autre est sans les supports d'équilibre.

#### Installation sans les supports d'équilibre

Après avoir déplacé l'onduleur vers son emplacement final, utiliser les vérins pour stabiliser le boîtier de l'onduleur au sol.

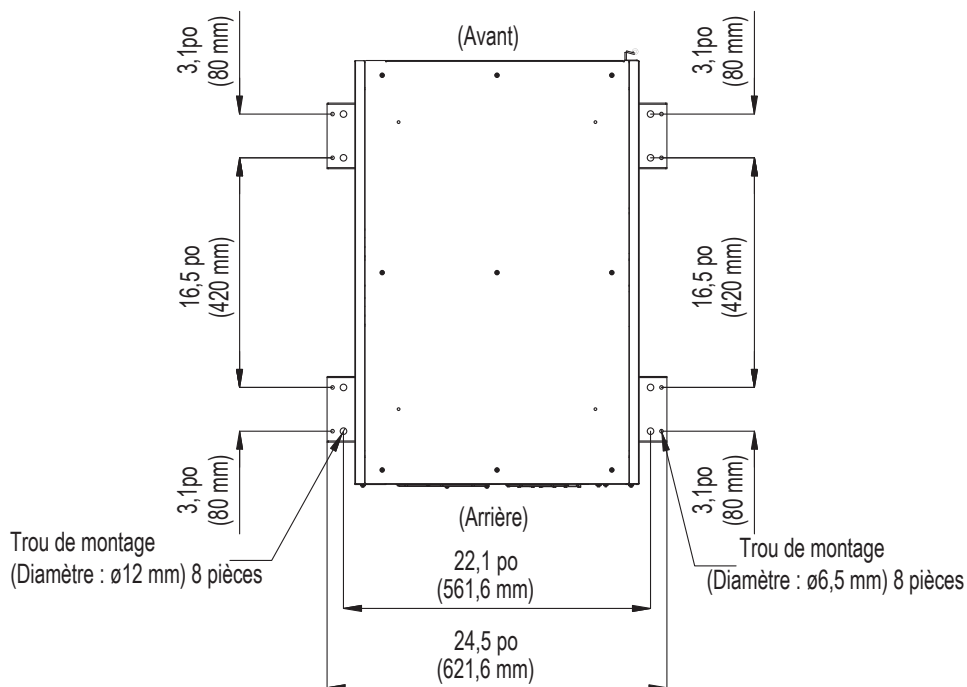


(Figure 3-1 : Stabiliser l'onduleur avec les vérins)

#### Installation avec les supports d'équilibre

Pour réinstaller les supports d'équilibre ayant été enlevés de l'onduleur durant le processus de déballage, suivre les étapes suivantes :

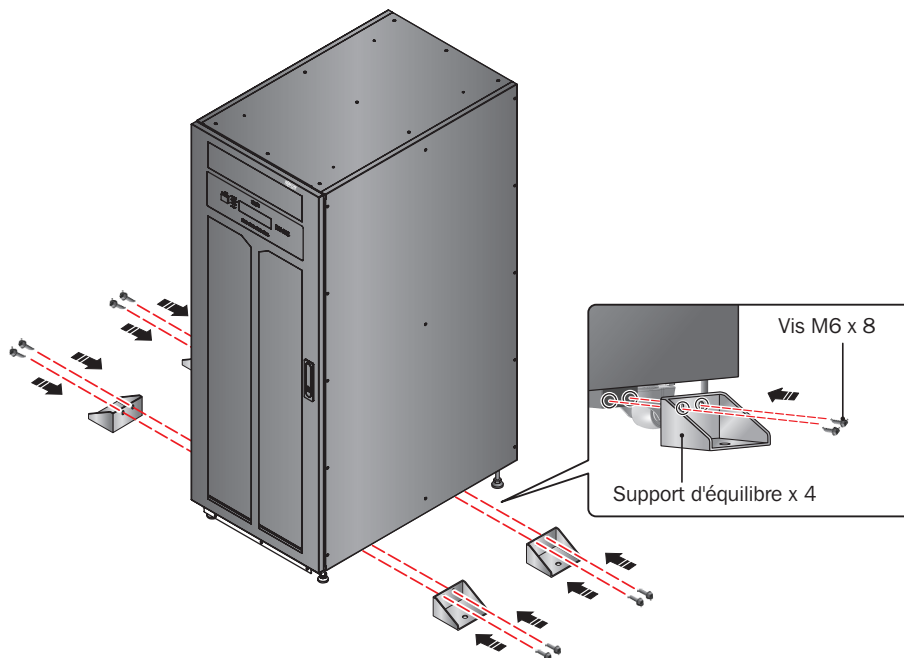
- 1 Une fois que l'espace d'installation a été choisi, suivre le diagramme des trous de montage ci-dessous pour percer les trous.



(Figure 3-2 : Diagramme des trous de montage)

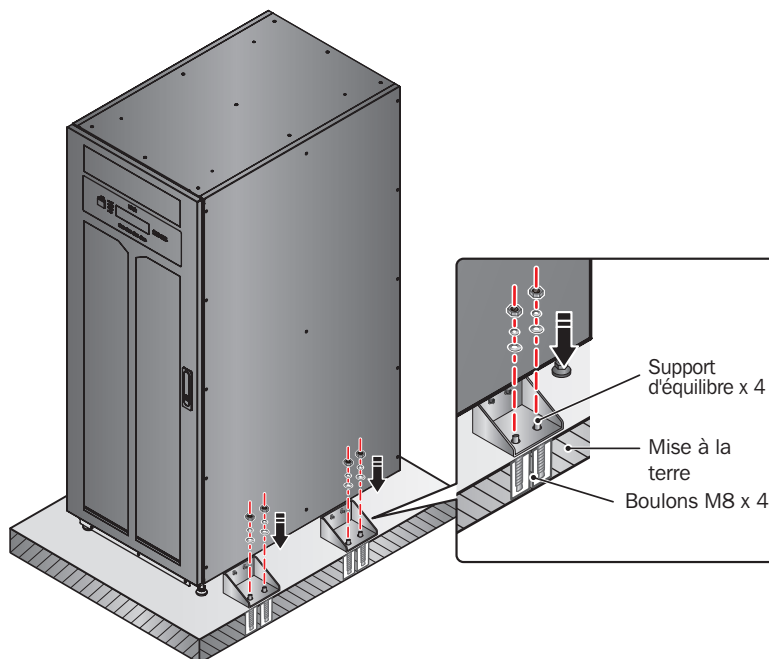
## 3. Installation et câblage

- 2 Placer l'onduleur sur les trous percés, utiliser les vérins pour stabiliser l'onduleur au sol et utiliser les vis M6 pour réinstaller les supports d'équilibre (qui ont été enlevés de l'onduleur durant le processus de déballage) sur l'onduleur. Consulter la figure ci-dessous.



(Figure 3-3 : Installation des supports d'équilibre)

- 3 Utiliser quatre boulons M8 fournis par l'utilisateur pour fixer les quatre supports d'équilibre au sol pour empêcher l'onduleur de bouger.



(Figure 3-4 : Fixer les supports d'équilibre au sol)

## 3. Installation et câblage

### 3.6 Câblage

#### 3.6.1 Précautions avant le câblage

- Le câblage doit être effectué par un personnel professionnel qualifié.
- Avant d'effectuer le câblage ou toute connexion électrique, s'assurer que l'alimentation fournie à l'entrée et à la sortie de l'onduleur est complètement coupée et que les connecteurs des batteries internes sont déconnectés.
- Au moment de raccorder l'onduleur à l'alimentation CA du secteur et à la source de dérivation, des dispositifs de protection et des connecteurs à 4 pôles doivent être installés. Les dispositifs de protection et les connecteurs à 4 pôles doivent utiliser des composants approuvés qui répondent aux exigences en matière de sécurité. Veuillez consulter le tableau suivant pour des suggestions de dispositifs de protection. Pour l'installation des dispositifs de protection et des connecteurs à 4 pôles, consulter les *Figures 3-10~3-18*.

Onduleur	Dispositif de protection recommandé
SUT20K	Disjoncteur de 75 A D-Curve
SUT30K	Disjoncteur de 125 A D-Curve
SUT40K	Disjoncteur de 150 A D-Curve
SUT60K	Disjoncteur de 225 A D-Curve

- Au moment de raccorder les charges critiques à l'onduleur, un disjoncteur homologué certifié doit être installé entre elles. Consulter le tableau ci-dessous.

Onduleur	Disjoncteur à 3 pôles recommandé
SUT20K	Disjoncteur de 75 A C-Curve
SUT30K	Disjoncteur de 125 A C-Curve
SUT40K	Disjoncteur de 150 A C-Curve
SUT60K	Disjoncteur de 225 A C-Curve

- Vérifier que la taille, le diamètre, la phase et la polarité de chaque câble raccordé à l'onduleur sont adaptés. Pour les caractéristiques techniques des câbles d'entrée/de sortie et des disjoncteurs, consulter le **Tableau 3-1**.

**Tableau 3-1 : Caractéristiques techniques des câbles d'entrée/de sortie et des disjoncteurs**

	SUT20K	SUT30K	SUT40K	SUT60K
Câble d'entrée CA*	2 AWG (25 mm <sup>2</sup> )	1/0 AWG (50 mm <sup>2</sup> )	3/0 AWG (95 mm <sup>2</sup> )	250 kcmil (120 mm <sup>2</sup> )
Câble de sortie*	2 AWG (25 mm <sup>2</sup> )	1/0 AWG (50 mm <sup>2</sup> )	3/0 AWG (95 mm <sup>2</sup> )	250 kcmil (120 mm <sup>2</sup> )
Câble d'entrée de la batterie*	1 AWG (35 mm <sup>2</sup> )	1/0 AWG (50 mm <sup>2</sup> )	3/0 AWG (95 mm <sup>2</sup> )	250 kcmil (120 mm <sup>2</sup> )
Couple de serrage	1.5 kg/m (130 po-lb)	1.5 kg/m (130 po-lb)	1.5 kg/m (130 po-lb)	1.5 kg/m (130 po-lb)
Disjoncteur d'entrée	75 A (3 pôles x 1)	125 A (3 pôles x 1)	150 A (3 pôles x 1)	225 A (3 pôles x 1)

\* Utiliser uniquement du fil en cuivre coté pour une température de 90 °C (194 °F) ou plus.

#### Remarques :

- Conformément aux **codes locaux de l'électricité**, installer un conduit et une bague appropriés.
- Veuillez consulter les codes locaux et nationaux de l'électricité pour les disjoncteurs sans fusible acceptables et la taille des câbles.
- Il est recommandé d'utiliser des câbles avec des matériaux en PVC et une résistance aux températures jusqu'à 105 °C (201 °F).
- S'assurer que les câbles d'entrée/de sortie sont étroitement serrés.

- Pour le raccordement à l'armoire de batteries externes, confirmer la polarité. Ne pas inverser la polarité.
- Le câble de mise à la terre de l'armoire de batteries externes doit être raccordé à la (  $\perp$  ) borne du bloc de jonction des batteries.
- L'installateur devrait prendre en considération le courant maximum et le calibre du câblage qui peuvent être requis pour l'expansion future des configurations en parallèle.
- L'entrée de l'onduleur doit être une connexion en Y et l'alimentation neutre (N) doit être raccordée pour éviter la défaillance de l'onduleur. Ne pas raccorder l'alimentation neutre (N) de l'onduleur avec la borne de mise à la terre (  $\oplus$  ).
- Si une tension de maintien est présente entre le neutre (N) de l'alimentation d'entrée et la terre (  $\oplus$  ) et que le VNG de l'onduleur doit être zéro, il est recommandé d'installer un transformateur devant le côté de l'entrée de l'onduleur et que le neutre (N) de l'onduleur soit raccordé à la terre (  $\oplus$  ).
- L'alimentation CA du secteur doit être triphasée (R/S/T) et respecter les spécifications de l'étiquette des valeurs nominales de l'onduleur. Au moment de raccorder l'alimentation d'entrée du secteur de l'onduleur, s'assurer qu'elle se trouve en ordre des phases positif (rotation des phases dans le sens des aiguilles d'une montre).
- Raccorder la borne de mise à la terre de l'armoire de batteries externes à la borne de mise à la terre (  $\perp$  ) du bloc de jonction des batteries de l'onduleur. Ne pas raccorder la borne de mise à la terre de l'armoire de batteries externes à un autre système de mise à la terre.
- La borne de mise à la terre (  $\oplus$  ) de l'onduleur doit être mise à la terre. Utiliser une borne en anneau pour le câblage.



## 3. Installation et câblage



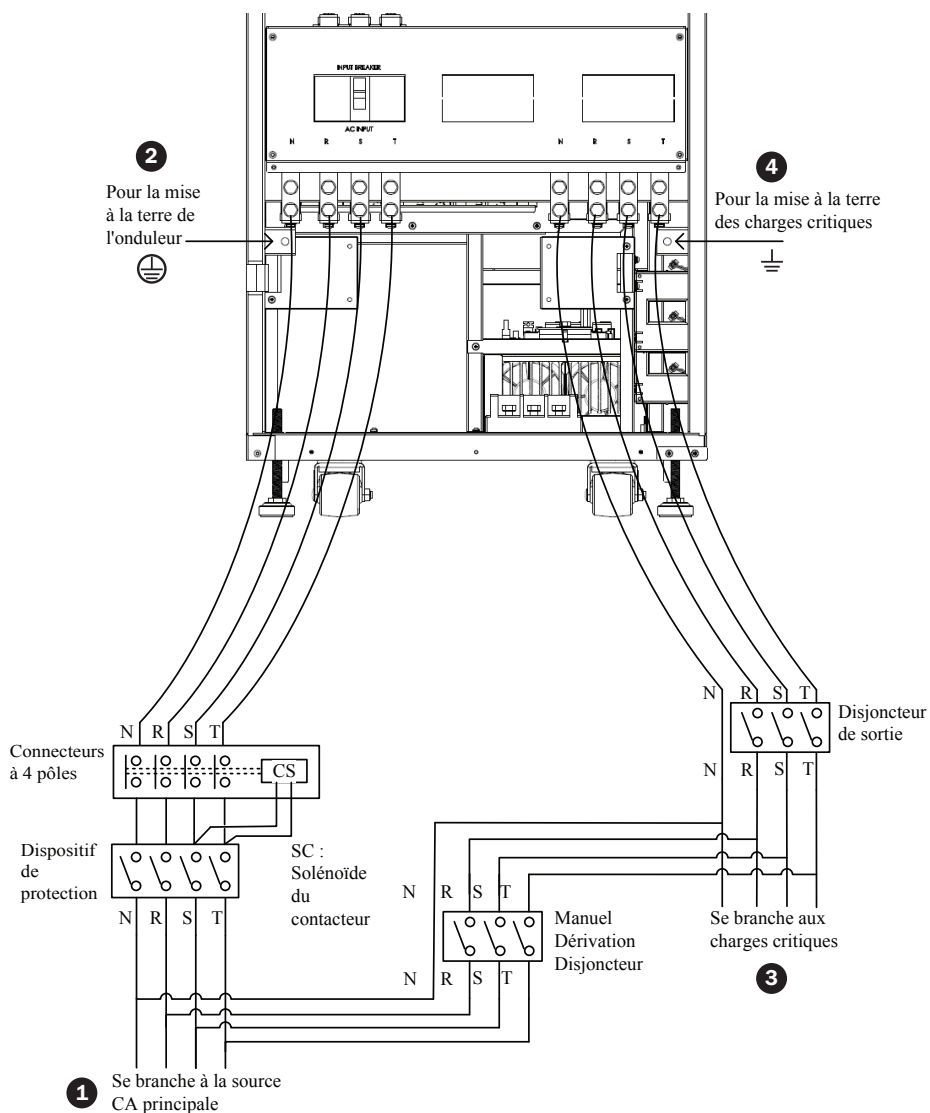
### AVERTISSEMENT :

1. Un câblage incorrect peut causer des secousses électriques graves et des dommages à l'onduleur.
2. L'onduleur ne fonctionnera pas normalement si le neutre (N) de l'alimentation d'entrée n'est pas fermement raccordé ou s'il n'est pas raccordé à la borne neutre (N) du bloc d'entrée CA.

### 3.6.2 Procédure de câblage

**Remarque :** Avant de procéder au câblage, lire d'abord 3.6.1 Précautions avant le câblage.




- 1 Retirer la plaque-couvercle pour accéder au bloc de jonction de câblage illustré sur la Figure 3-5.



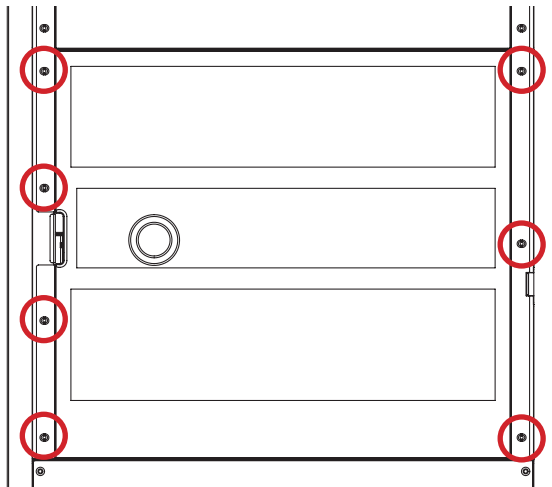
(Figure 3-5 : Schéma de câblage d'un seul appareil)

## 3. Installation et câblage

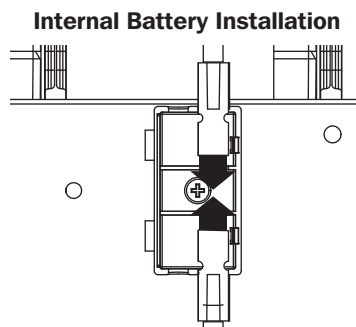
2 S'assurer que les fonctionnalités du bloc de jonction de câblage indiquées dans la *Figure 3-5* sont clairement comprises.

N°	Article	Fonctionnalité	Description
1	Bloc de jonction de l'entrée CA	Raccorde la source d'alimentation CA principale	Inclut trois phases (R, S, T) et des bornes neutres (N)
2		Pour la mise à la terre de l'onduleur	Inclut une borne de mise à la terre
3	Bloc de jonction de la sortie de l'onduleur	Raccorde les charges critiques	Inclut trois phases (R, S, T) et des bornes neutres (N)
4		Pour la mise à la terre des charges critiques	Inclut une borne de mise à la terre
5	Bloc de jonction de l'entrée de la batterie	Raccorde une armoire de batteries externes	Inclut trois bornes, positive (+), neutre (N) et négative (-)
6		Pour la mise à la terre d'une armoire de batteries externes	Inclut une borne de mise à la terre

- 3 Confirmer que la tension nominale de l'onduleur est 120/208 V CA ou 127/220 V CA, et que la tension nominale de la batterie est  $\pm 144$  V CC.
- 4 Confirmer que le disjoncteur de sortie se trouve en position **OFF** (arrêt). Pour la position de chaque disjoncteur, consulter le panneau avant de l'appareil.
- 5 Sélectionner les câbles d'entrée et de sortie appropriés selon la capacité de l'onduleur (consulter le **Tableau 3-1**).
- 6 Ouvrir la porte avant de l'onduleur pour dévisser et retirer le panneau étiqueté « compartiment de la batterie ».

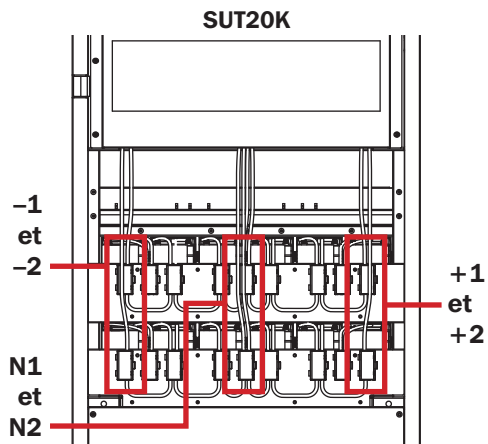


7 L'onduleur est expédié avec les câbles de la batterie débranchés. Retirer le ruban isolant couvrant les fils rouges BAT(+) et les reconnecter aux bornes (Figure 3-6). Consulter les Figures 3-7~3-10 pour l'installation de la batterie respective de chaque modèle.



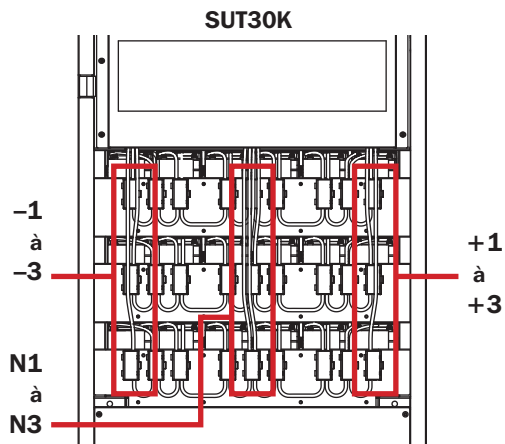
(Figure 3-6: Connexion du câble de batterie)

### 3. Installation et câblage



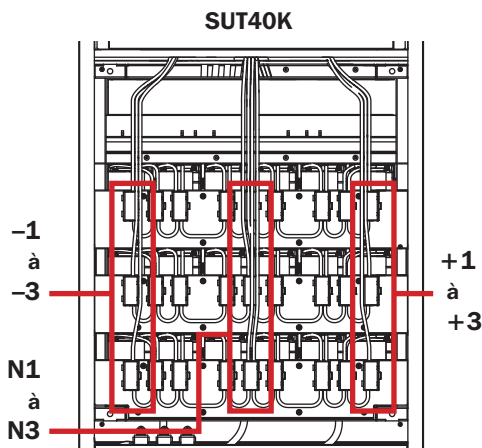
(Figure 3-7)

Raccorder d'abord les câbles -1 et -2 à gauche, puis les câbles +1 et +2 à droite.



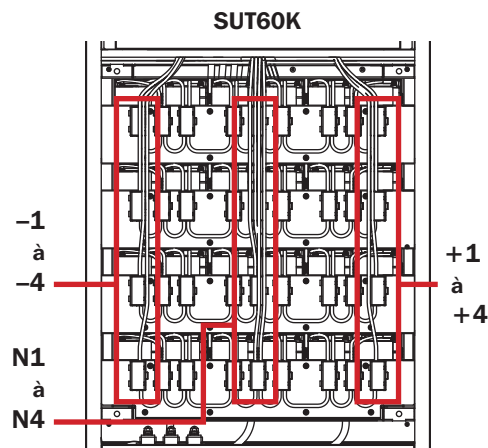
(Figure 3-8)

Raccorder d'abord les câbles -1, -2 et -3 à gauche, puis les câbles +1, +2 et +3 à droite.



(Figure 3-9)

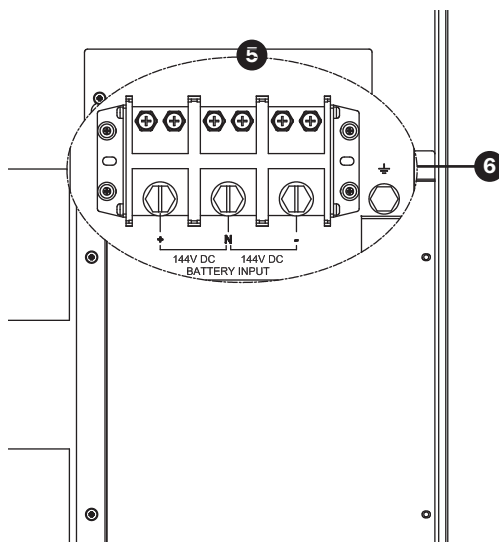
Raccorder d'abord les câbles -1, -2 et -3 à gauche, puis les câbles +1, +2 et +3 à droite.



(Figure 3-10)

Raccorder d'abord les câbles -1, -2, -3 et -4 à gauche, puis les câbles +1, +2, +3 et +4 à droite.

- 8 Raccorder la batterie externe en option au bloc de jonction de l'armoire de batteries externes à la partie inférieure de l'appareil (consulter la Figure 3-11).



(Figure 3-11 : Raccorder la batterie externe [en option] au bloc de jonction de l'armoire de batteries externes.)

## 3. Installation et câblage

### 3.6.3 Câblage des appareils en parallèle

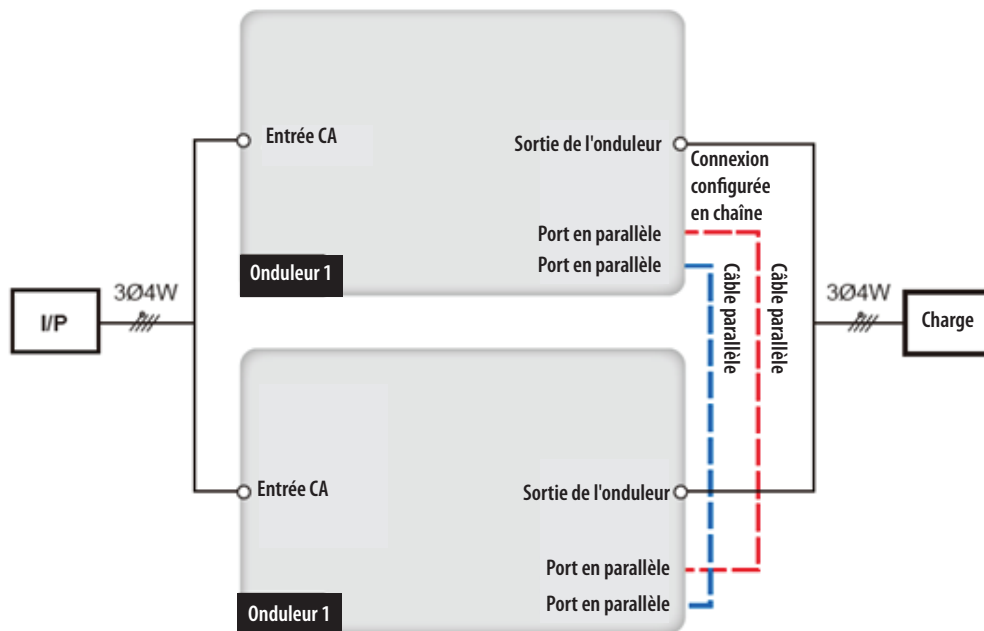
Remarque : Avant de procéder au câblage, lire d'abord 3.6.1 Précautions avant le câblage.

- 1 Suivre les étapes 1 ~ 5 dans la section 3.6.2 Procédure de câblage.
- 2 L'onduleur est expédié avec les câbles de la batterie débranchés. Trouver les câbles de connexion de la batterie derrière la porte du connecteur étiquetée dans l'armoire. Raccorder les câbles de l'armoire de batteries au bloc de jonction de câblage et s'assurer que l'onduleur est mis correctement à la terre (consulter les Figures 3-6 à 3-10).
- 3 Utiliser le câble en parallèle fourni pour raccorder les ports en parallèle sur les appareils en parallèle. Consulter la Figure 6-1 pour l'emplacement du port en parallèle.
- 4 Consulter 6. Interfaces de communication pour configurer le commutateur en parallèle en position **ON** (marche) ou **OFF** (arrêt).
- 5 Suivre les étapes 7 ~ 8 dans la section 3.6.2 Procédure de câblage.



#### AVERTISSEMENT :

1. Lorsque les onduleurs sont en parallèle, la longueur des câbles d'entrée/câbles de sortie de chaque appareil doit être égale. Cela permet d'assurer que les onduleurs en parallèle peuvent partager également les charges de l'équipement en mode de dérivation.
2. Seuls les onduleurs avec la même capacité, tension et fréquence peuvent être installés en parallèle; sinon, les fonctionnalités en parallèle feront défaut.
3. Avant de démarrer des appareils en parallèle, un personnel d'entretien qualifié doit configurer l'identification (0, 1, 2 ou 3) par l'entremise de l'écran ACL. Sinon, les onduleurs ne pourront pas être démarrés. Si le symbole « ! » s'affiche après un numéro d'identification, cela indique la présence d'un conflit entre les numéros d'identification.



(Figure 3-12 : Schéma de câblage des appareils en parallèle)

## 3. Installation et câblage

### 3.7 Précautions concernant le raccordement de l'armoire de batteries externes



#### AVERTISSEMENT :

1. Connecter des charges à l'onduleur uniquement lorsque les batteries sont complètement chargées. Cela permet de garantir que l'onduleur peut fournir suffisamment d'alimentation de secours aux charges connectées en cas de coupure de courant.
2. Lorsque les batteries internes et les batteries externes de l'onduleur sont utilisées, s'assurer que la différence de tension est  $< 5$  V CC.

#### Batterie

1. Tension de charge
  - 1) Tension de maintien :  $\pm 163,2$  V CC (par défaut)
  - 2) Tension d'amplification :  $\pm 168$  V CC (par défaut)
2. Courant de charge
  - 1) Minimum : SUT20K/SUT30K/SUT40K/SUT60K → 1 A
  - 2) Maximum : SUT20K → 10 A  
SUT30K/SUT40K/SUT60K → 20 A
  - 3) Par défaut : SUT20K → 5 A  
SUT30K → 7,5 A  
SUT40K → 7,5 A  
SUT60K → 10 A
3. Arrêt pour batteries faibles : 120 V CC (par défaut : 120 V CC)
4. Nombre de batteries : SUT20K → 48 pièces  
SUT30K → 72 pièces  
SUT40K → 72 pièces  
SUT60K → 96 pièces

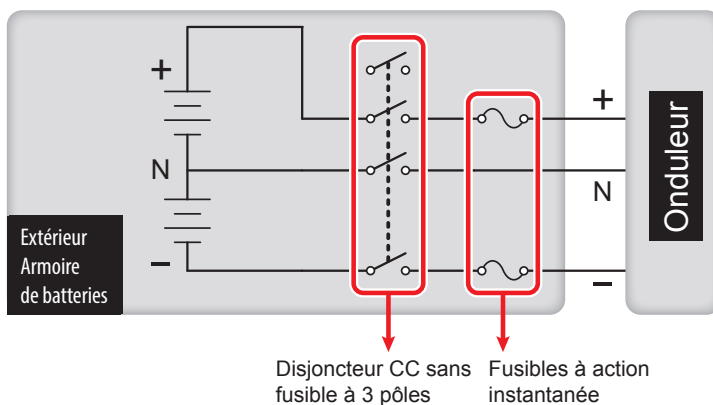
#### Remarques :

1. Le courant de charge est réglable de 1 A à 20 A maximum par intervalles de 0,5 A.
  2. Pour modifier le paramètre du courant de charge par défaut ou le paramètre d'arrêt pour batteries faibles, contacter le fournisseur local ou le personnel d'entretien.
- Utiliser uniquement le même type de batteries du même fournisseur. Ne jamais combiner en même temps des batteries vieilles, nouvelles ou de Ah différent.
  - Le nombre de batteries doit répondre aux exigences de l'onduleur.
  - Ne pas connecter les batteries en polarité inversée.
  - Lorsqu'une armoire de batteries externes autre que Tripp Lite est connectée à l'onduleur, il est obligatoire d'installer un disjoncteur CC sans fusible et des fusibles à action instantanée (lors d'un court-circuit, le courant de fonte doit être 5 à 6 fois le courant nominal du fusible de la batterie.
  - Pour prolonger la durée des batteries de secours, raccorder plusieurs armoires de batteries externes à l'onduleur.
- Remarque :** Le temps de recharge sera prolongé; prendre note de la capacité du chargeur.
- Pour prolonger la durée des batteries de secours, des batteries externes peuvent être connectées à l'onduleur.

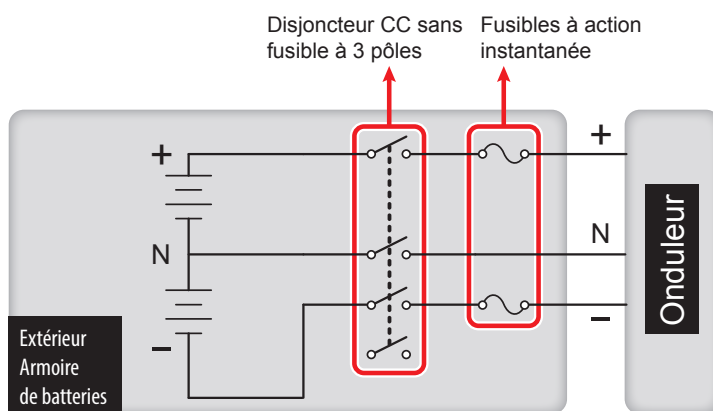
Puissance nominale (kVA)	Courant nominal du disjoncteur	Câble de batterie	Fusible de batterie
20	250V AC / 75 A	1 AWG (35 mm <sup>2</sup> )	660V DC / 80 A
30	250V AC / 125 A	1/0 AWG (50 mm <sup>2</sup> )	660V DC / 125 A
40	250V AC / 150 A	3/0 AWG (95 mm <sup>2</sup> )	660V DC / 150 A
60	250V AC / 250 A	250 kcmil (120 mm <sup>2</sup> )	660V DC / 250 A

### 3. Installation et câblage

- Le disjoncteur doit être un disjoncteur CC à 3 pôles avec une valeur nominale de 250 V CC par pôle. Suivre la Figure 3-13 ou la Figure 3-14 entre l'armoire de batteries externes de l'onduleur.



(Figure 3-13 : Installation I d'un disjoncteur CC sans fusible à 3 pôles et de fusibles à action instantanée)



(Figure 3-14 : Installation II d'un disjoncteur CC sans fusible à 3 pôles et de fusibles à action instantanée)

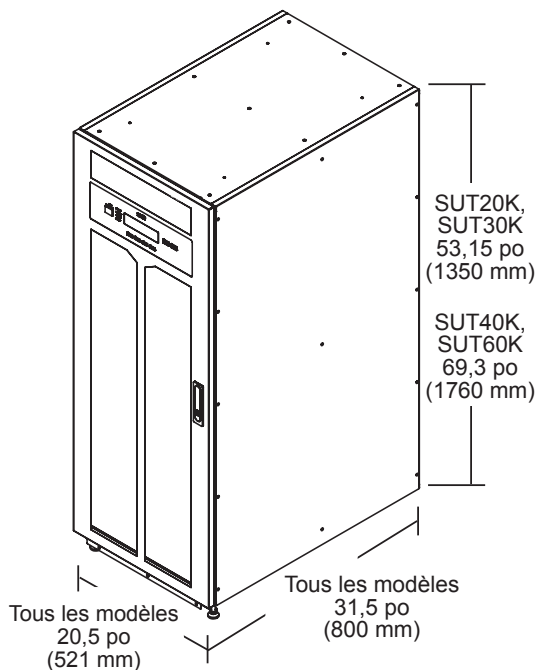
#### Alarme de l'état des batteries

Lorsque les batteries de l'onduleur présentent un des problèmes suivants, l'onduleur fera entendre l'une des alarmes suivantes :

N°	État de l'armoire de batteries externes	Alarme
1	Échec du test de la batterie	Se fait entendre toutes les 2 secondes
2	Avertissement de batteries faibles	Se fait entendre toutes les 0,5 secondes
3	Arrêt pour batteries faibles	Bip prolongé (5 secondes)
4	Surcharge des batteries	Se fait entendre toutes les 2 secondes
5	Batterie manquante	Se fait entendre toutes les 2 secondes

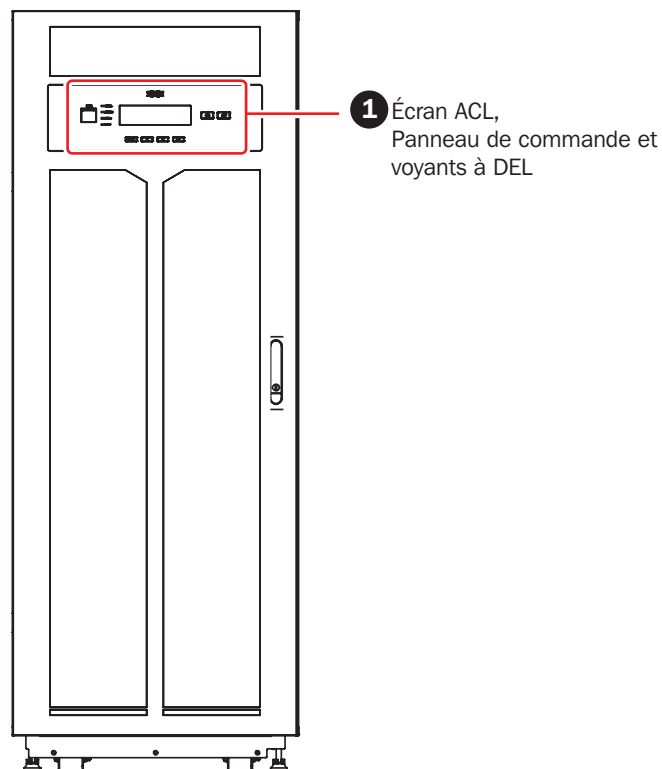
## 4. Composants du système

### 4.1 Aspect et dimensions



(Figure 4-1 : Aspect et dimensions de l'onduleur)

### 4.2 Vue avant



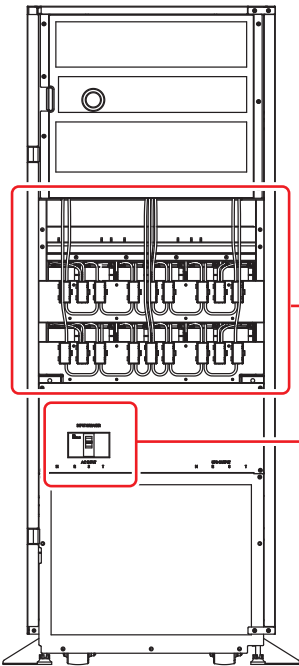
(Figure 4-2 : Vue avant)

#### 1 Écran ACL, panneau de commande et voyants à DEL

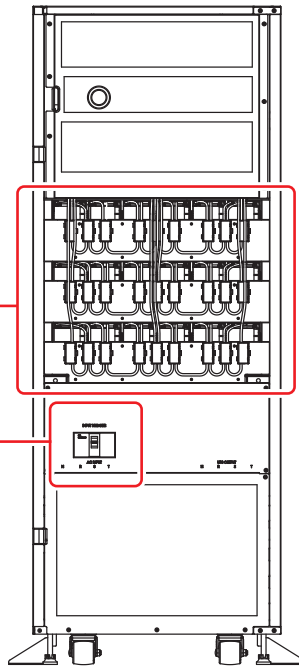
1. L'écran ACL affiche l'état de l'onduleur.
2. Le panneau de commande inclut les boutons ESC (échappement), monter, descendre, confirmation, ON/OFF (marche/arrêt) et EPO (arrêt d'urgence) (consulter la Figure 4-7).
3. Les voyants à DEL incluent NORMAL, BATTERY (batterie), BYPASS (dérivation) et FAULT (défaillance).
4. Consulter le **Chapitre 8. Écran ACL et paramètres** pour plus d'informations.

## 4. Composants du système

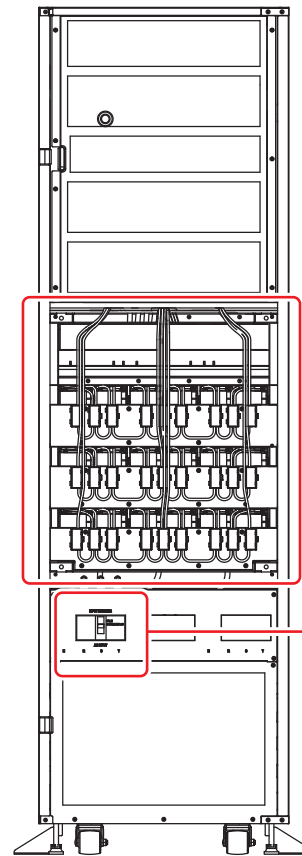
### 4.3 Vue avant avec la porte ouverte



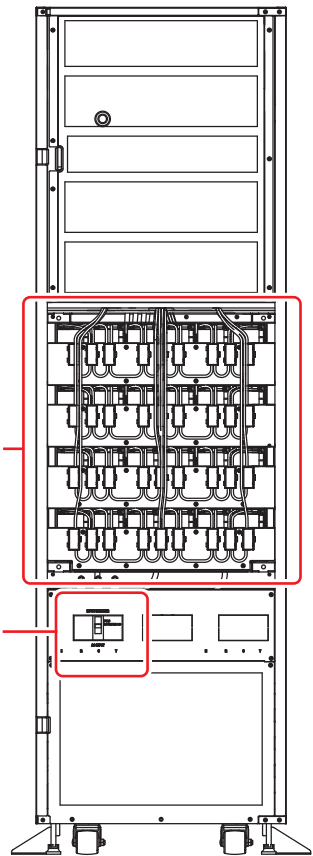
(Figure 4-3 : SUT20K Vue avant avec la porte ouverte et le panneau du compartiment de la batterie enlevé.)



(Figure 4-4 : SUT30K Vue avant avec la porte ouverte et le panneau du compartiment de la batterie enlevé.)



(Figure 4-5 : SUT40K Vue avant avec la porte ouverte et le panneau du compartiment de la batterie enlevé.)



(Figure 4-6 : SUT60K Vue avant avec la porte ouverte et le panneau du compartiment de la batterie enlevé.)

#### 2 Disjoncteur d'entrée

Contrôle l'interrupteur d'entrée principale de l'onduleur et est utilisé par mesure de sécurité.

#### 3 Armoire de batteries internes

Les quatre modèles d'onduleurs ont un différent contenu à l'intérieur de l'armoire de batteries internes. Consulter le tableau ci-dessous pour plus d'informations.

1. L'armoire de batteries internes inclut :

N°	Article	Quantité			
		SUT20K	SUT30K	SUT40K	SUT60K
1	Batteries internes	48	72	72	96
2	Support de batterie	12	18	18	24

2. Les batteries internes, les supports de batteries et les câbles des batteries indiqués dans les tableaux ci-dessus ont déjà été configurés à l'usine. L'installation, le câblage et le raccordement des batteries devraient être confiés uniquement à du personnel d'entretien qualifié.

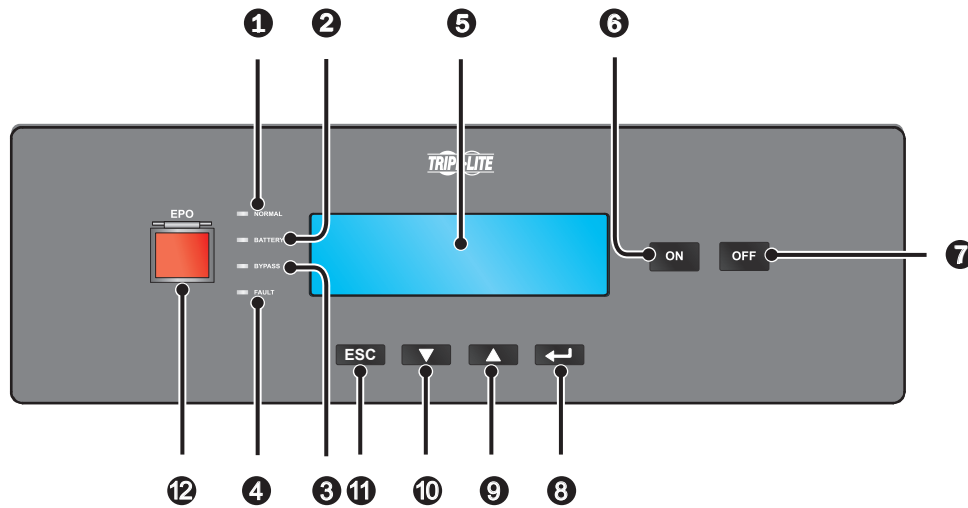
#### DÉMARRAGE et MISE EN SERVICE

Un ingénieur autorisé par Tripp Lite doit effectuer le démarrage de l'onduleur et un formulaire de complétion du démarrage doit être retourné à Tripp Lite afin d'activer la garantie du SmartOnline de la série SUT. Veuillez contacter votre fournisseur local ou [intlservice@tripplite.com](mailto:intlservice@tripplite.com) pour plus de détails. Pour trouver votre personne-ressource locale, visiter [www.tripplite.com/support/contacts](http://www.tripplite.com/support/contacts), puis cliquer sur « Service Centers » (Centres de service).



## 4. Composants du système

### 4.4 Panneau de commande

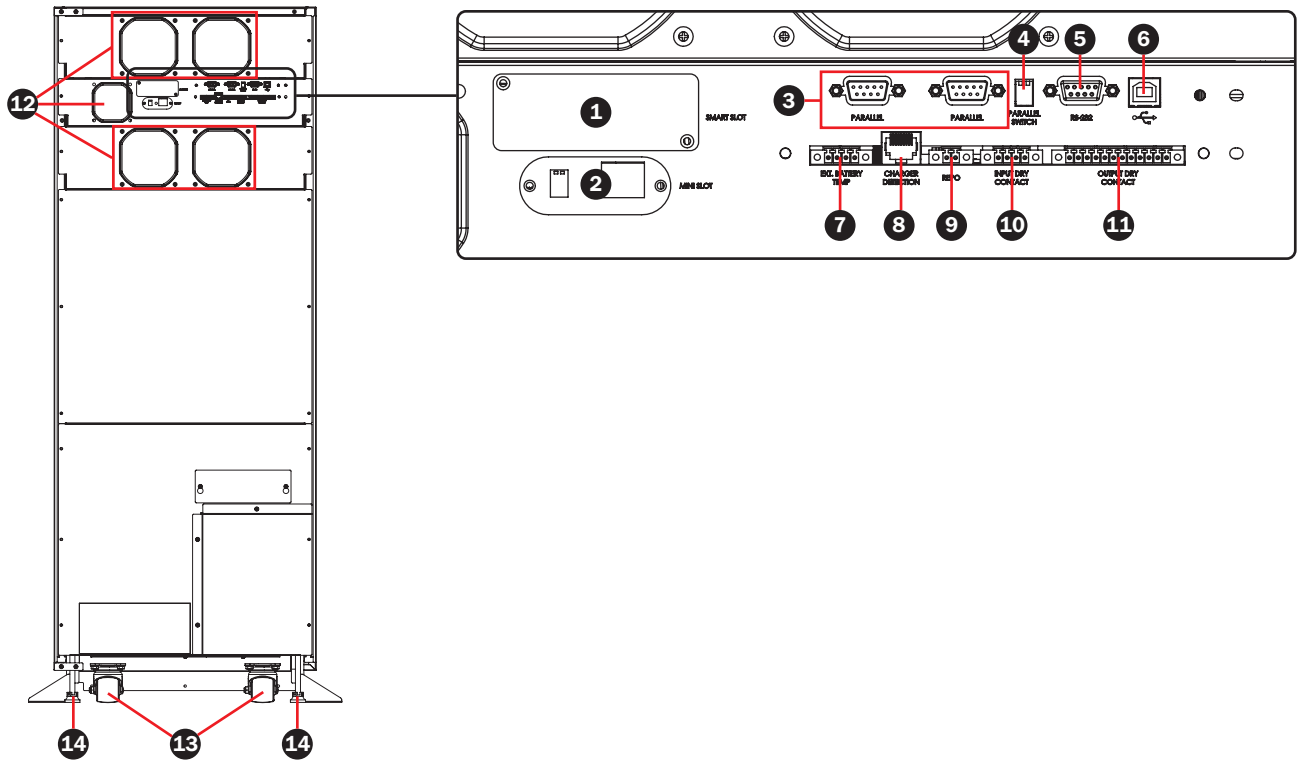


(Figure 4-7 : Panneau avant)

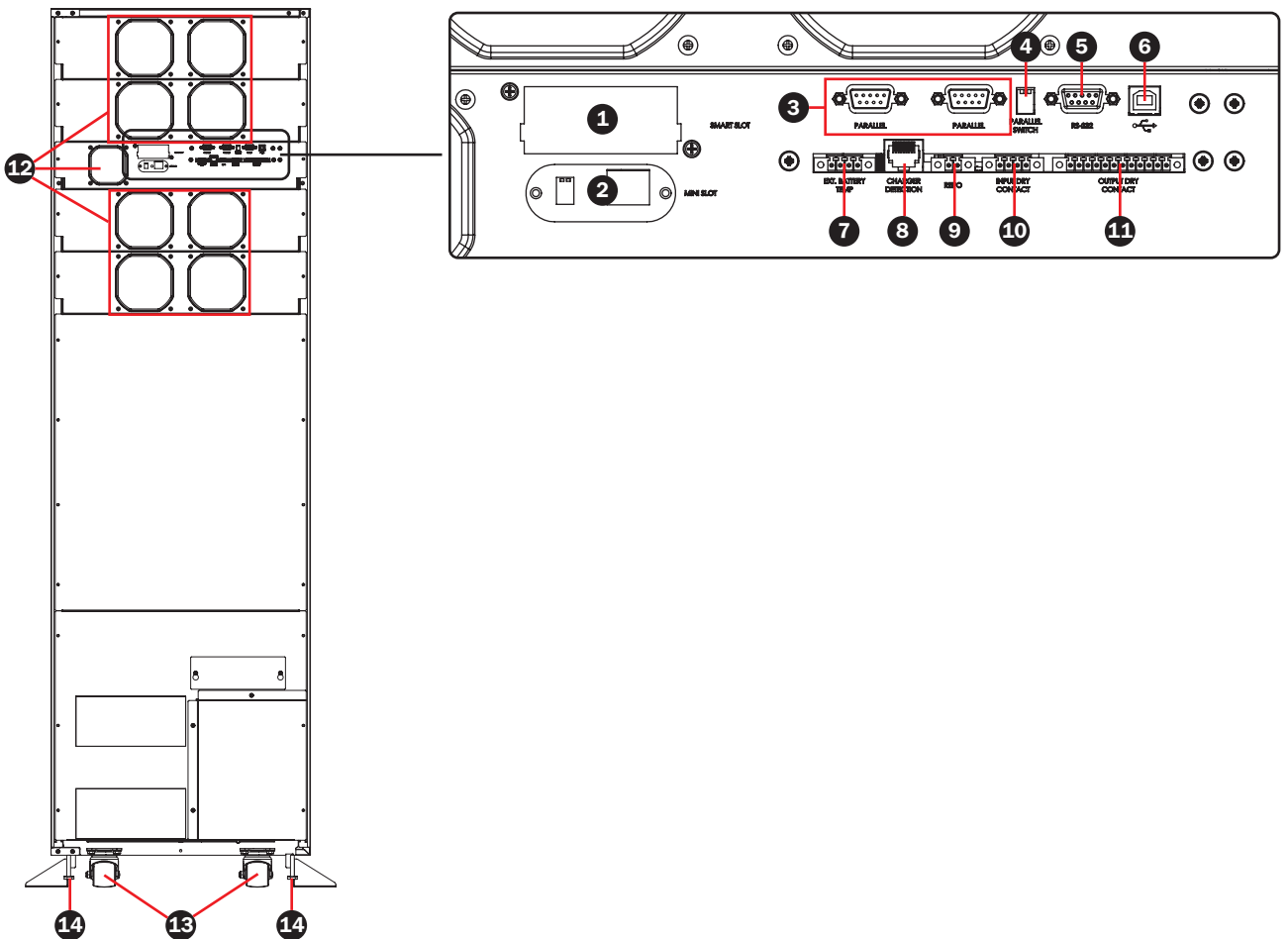
N°	Article	Description
1	NORMAL	L'onduleur fonctionne en mode en ligne et l'alimentation CA du secteur est normale.
2	BATTERY	L'onduleur fonctionne en mode batterie et les batteries externes sont déchargées.
3	BYPASS	L'onduleur fonctionne en mode de dérivation.
4	FAULT	L'onduleur présente des anomalies.
5	Écran ACL	Affiche l'état de fonctionnement de l'onduleur et les données de surveillance pertinentes.
6	ON	Touche ON (marche) : Appuyer sur cette touche pendant 3 à 4 secondes puis la relâcher après qu'un bip se fasse entendre pour démarrer l'onduleur.
7	OFF	Touche OFF (arrêt) : Appuyer sur cette touche à une reprise et l'écran ACL affichera l'écran suivant. Pour mettre l'onduleur hors tension, appuyer sur la touche DOWN (descendre) (  ).
8		Confirma la selección et accède à l'écran de menu.
9		Permet de monter/augmenter le nombre.
10		Permet de descendre/diminuer le nombre.
11	ESC	Permet de revenir à l'écran précédent ou annule la sélection actuelle.
12	EPO	Lorsqu'un événement d'urgence survient, appuyer sur la touche <b>EPO (arrêt d'urgence)</b> pendant plus d'une seconde pour mettre immédiatement le redresseur, l'inverseur d'énergie et la sortie de l'onduleur hors tension. Pour réinitialiser, déconnecter la touche EPO (arrêt d'urgence) et appuyer sur le bouton OFF (arrêt) de l'appareil pendant 3 secondes, puis appuyer sur le bouton ON (marche) de l'appareil.

# 4. Composants du système

## 4.5 Panneau arrière



(Figure 4-8 : Panneau arrière SUT20K, SUT30K)



(Figure 4-9 : Panneau arrière SUT40K, SUT60K)

## 4. Composants du système

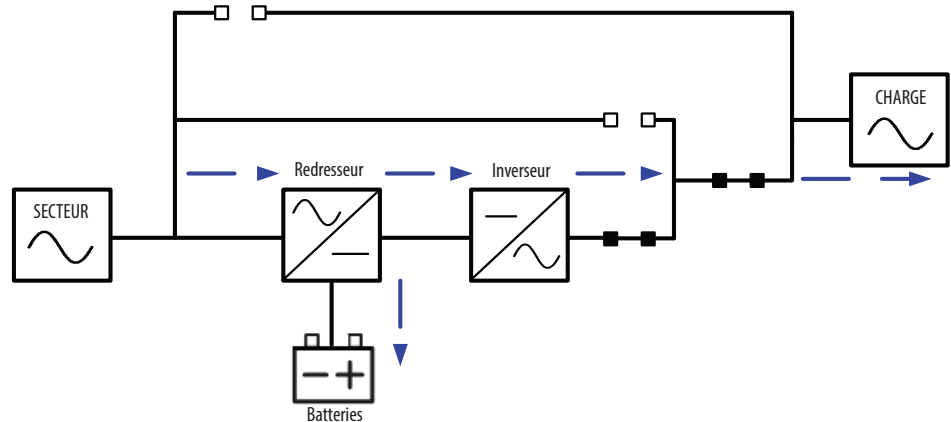
N°	Article	Description
1	Fente SMART	Connecte la carte I/O/ModBus du relais SNMP. Pour des informations détaillées, consulter <b>6. Interfaces de communication</b> .
2	Fente MINI	Pour plus d'informations, contacter Tripp Lite.
3	Ports en parallèle	Pour utiliser les onduleurs en parallèle. Pour des informations détaillées, consulter <b>6. Interfaces de communication</b>
4	Commutateur en parallèle	Contrôle l'état des ports en parallèle (ON (marche) ou OFF (arrêt)). Pour des informations détaillées, consulter <b>6. Interfaces de communication</b>
5	Port RS-232	Se connecte à un ordinateur. Pour des informations détaillées, consulter <b>6. Interfaces de communication</b>
6	Port USB	Se connecte à un ordinateur. Pour des informations détaillées, consulter <b>6. Interfaces de communication</b>
7	Entrée de température de batteries externes	Se raccorde à la sonde de température de l'armoire de batteries externes. Communiquer avec le fabricant de l'armoire de batteries externes pour des instructions.
8	Port de détection du chargeur	Se connecte à la boîte du chargeur et détecte l'état du chargeur. Pour des informations détaillées, consulter <b>6. Interfaces de communication</b>
9	Port REPO	Lorsqu'un événement d'urgence survient, l'onduleur déconnecte immédiatement l'alimentation et met l'appareil hors tension. Pour des informations détaillées, consulter <b>6. Interfaces de communication</b>
10	Contacts secs d'entrée	Reçoivent des informations externes des appareils connectés aux contacts secs d'entrée. Pour des informations détaillées, consulter <b>6. Interfaces de communication</b>
11	Contacts secs de sortie	Reçoivent les informations des événements de l'onduleur. Pour des informations détaillées, consulter <b>6. Interfaces de communication</b>
12	Ventilateurs CC	Refroidissent et ventilent l'onduleur.
13	Roulettes	Les roulettes sont conçues pour permettre les mouvements de positionnement final seulement. Ne pas utiliser les roulettes pour déplacer l'onduleur sur une longue distance. Les roulettes ne sont pas conçues pour fournir un support à long terme à l'onduleur après son installation.
14	Vérins	Les vérins ne sont pas conçus pour fournir un support à long terme à l'onduleur.

## 5. Modes de fonctionnement

Cette section fournit une description élémentaire du cheminement de l'alimentation électrique dans ses différents modes de fonctionnement. Pour plus de renseignements sur la façon dont les modes de fonctionnement sont indiqués sur l'écran principal de l'écran ACL, consulter **8. Écran ACL et paramètres de réglage**.

### Mode Normal (online)

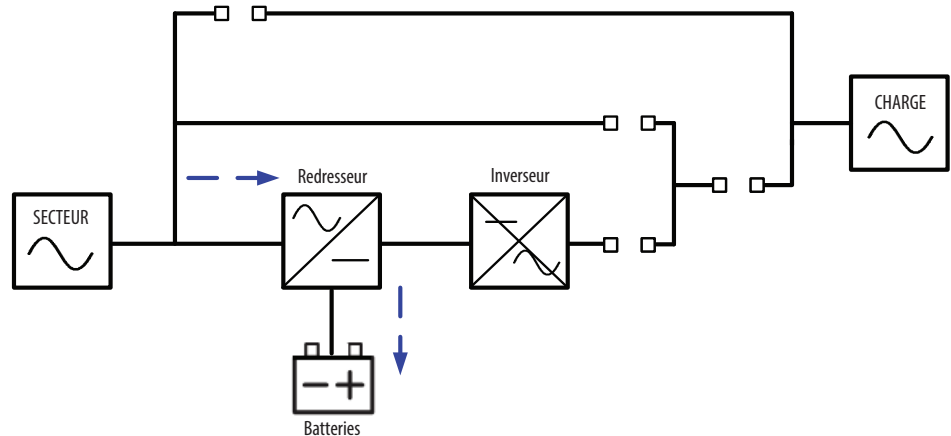
La charge critique est fournie par l'inverseur d'énergie qui dérive son alimentation de l'alimentation CA du secteur. L'onduleur charge les batteries au besoin et fournit une protection de l'alimentation à l'équipement. En mode en ligne, le voyant à DEL NORMAL (  NORMAL ) s'allume (vert).



(Figure 5-1 : Cheminement de l'alimentation électrique à travers l'onduleur en mode Normal [online])

### Mode Standby (attente)

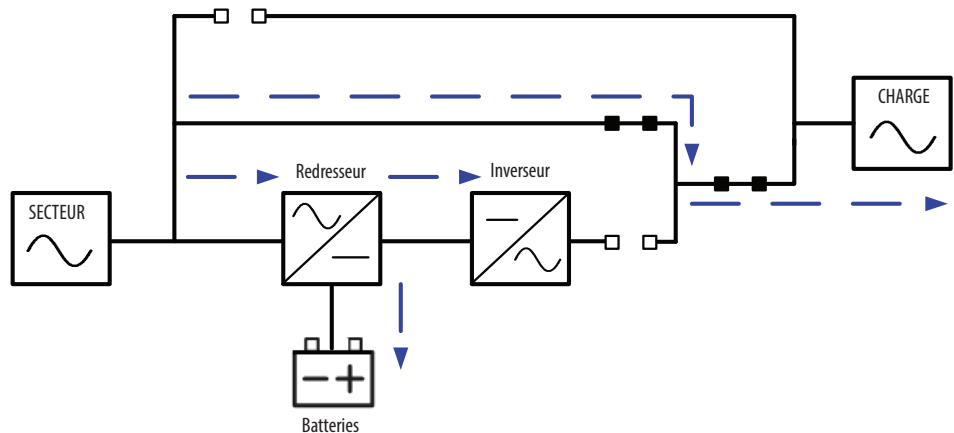
Lorsque la tension et la fréquence d'entrée de l'alimentation CA du secteur se situent à l'intérieur de la plage normale, l'onduleur fonctionne en mode d'attente et charge les batteries. La dérivation et l'inverseur d'énergie n'ont pas de sortie.



(Figure 5-2 : Cheminement de l'alimentation électrique à travers l'onduleur en mode UPS in Standby (attente))

### Mode ECO

L'onduleur peut être configuré manuellement en mode ECO. En mode ECO, lorsque la tension d'entrée du secteur se situe à  $\pm 10\%$  de la plage de tension nominale, la charge est fournie par l'alimentation du secteur et le voyant à DEL BYPASS (dérivation) (  BYPASS ) s'allume (jaune); si hors de la plage, la charge est fournie par l'inverseur d'énergie et le voyant à DEL NORMAL (  NORMAL ) s'allume (vert).

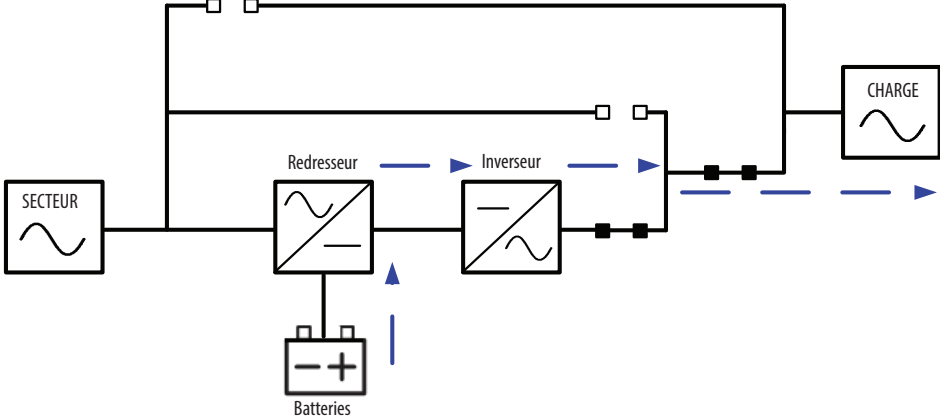


(Figure 5-3 : Cheminement de l'alimentation électrique à travers l'onduleur en mode ECO)

# 5. Modes de fonctionnement

## Mode Battery (batterie)

Lorsque l'onduleur fonctionne durant une coupure de courant, les batteries fournissent de l'alimentation CC qui maintient le fonctionnement de l'inverseur d'énergie pour prendre en charge la charge critique. En mode batterie, le voyant à DEL BATTERY (batterie) (  BATTERY ) s'allume (jaune).



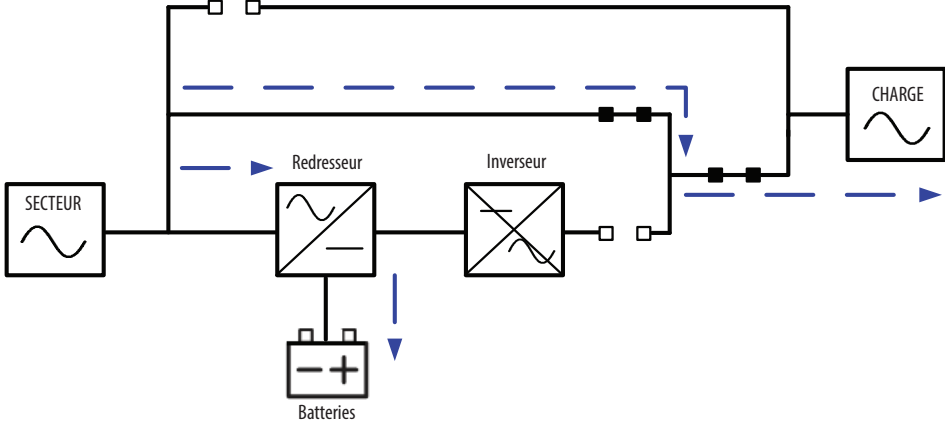
(Figure 5-4 : Cheminement de l'alimentation électrique à travers l'onduleur en mode Battery (batterie))

Tableau 5-1 : État des batteries

Capacité des batteries	Vibreur sonore	Écran ACL
Plein/moyen	L'alarme se fera entendre une fois par seconde. (Active pendant 0,1 seconde et inactive pendant 9,9 secondes)	CAPACITÉ DES BATTERIES 00V/000 %
Faible	L'alarme se fera entendre une fois toutes les 0,5 seconde. (Active pendant 0,1 seconde et inactive pendant 0,9 seconde)	CAPACITÉ DES BATTERIES 00V/000 %
Épuisées	Bip prolongé	ARRÊT EN RAISON DE BATTERIES FAIBLES

## Mode dérivation

La charge critique est fournie directement par l'alimentation du secteur et les batteries sont chargées. En mode de dérivation, le voyant à DEL BYPASS (dérivation) (  BYPASS ) s'allume (jaune).

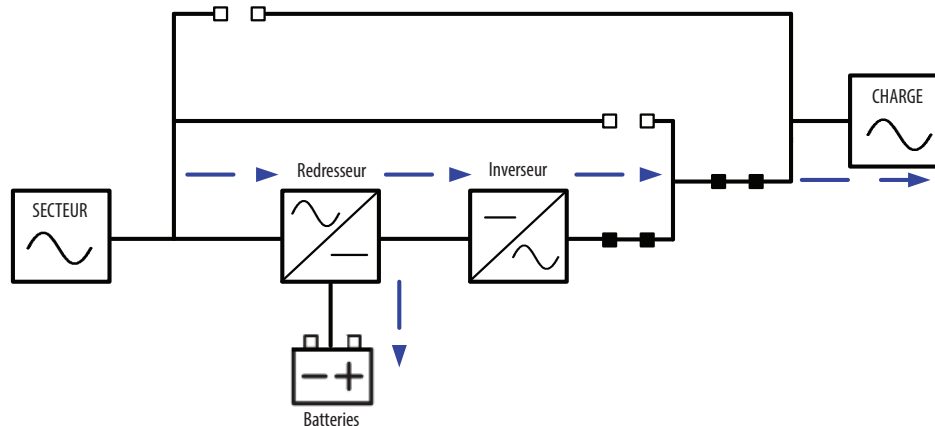


(Figure 5-5 : Cheminement de l'alimentation électrique à travers l'onduleur en mode Bypass (dérivation))

## 5. Modes de fonctionnement

### Mode de conversion de la fréquence

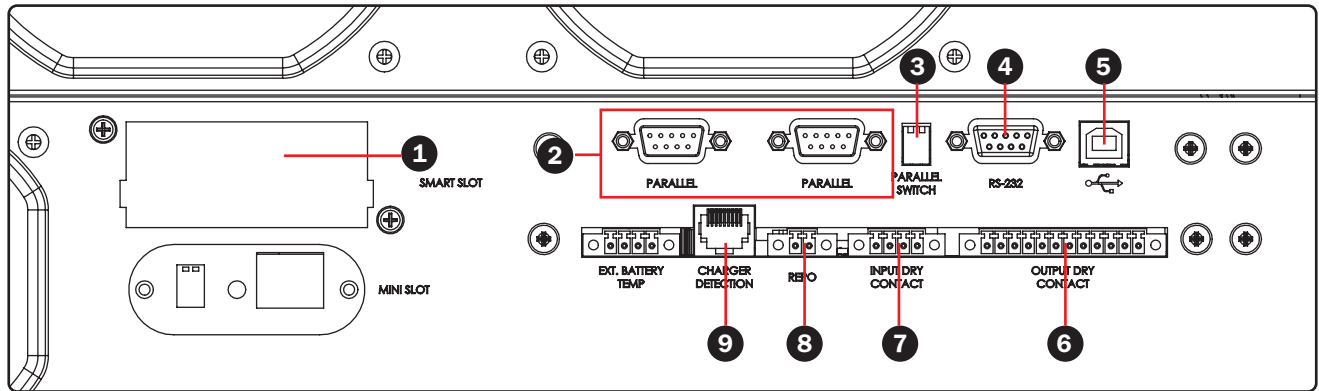
Lorsque l'onduleur est configuré manuellement en mode convertisseur, la fréquence de sortie peut être configurée à 50 ou 60 Hz. Une fois la fréquence de sortie configurée, le système désactivera automatiquement la fonction de dérivation. Une fois l'inverseur d'énergie hors tension, il n'y a aucune sortie de dérivation. En mode convertisseur, le voyant à DEL NORMAL (  NORMAL ) s'allume (vert).



(Figure 5-6 : Cheminement de l'alimentation électrique à travers l'onduleur en mode convertisseur)

## 6. Interfaces de communication

Pour les positions et fonctions des interfaces de communication, consulter le schéma suivant :



(Figure 6-1 : Interfaces de communication)

### Remarques :

1. L'onduleur fonctionne normalement sans être connecté aux interfaces de communication.
2. Toutes les interfaces de communication peuvent être utilisées en même temps sans interférence avec la fonctionnalité de l'une avec l'autre.

### 1 Fente SMART

Installer une carte SNMP dans cette fente SMART pour contrôler et surveiller à distance l'état de l'onduleur via un réseau. Le relais I/O ou la carte MODBUS peuvent également utiliser cette fente pour fournir respectivement un contact sec ou une fonctionnalité MODBUS.

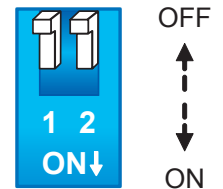
### 2 Ports en parallèle

Les deux ports en parallèle sont pour la communication en parallèle de l'onduleur. Un maximum de quatre onduleurs avec la même capacité, tension et fréquence peuvent être couplés en utilisant le câble en parallèle fourni pour fonctionner en mode parallèle.

### 3 Commutateur en parallèle

Lorsque les onduleurs sont installés en parallèle, les commutateurs DIP doivent être configurés pour activer la fonction parallèle. Le commutateur en parallèle inclut deux commutateurs DIP. Pour mettre un commutateur DIP sous tension, mettre le DIP en position basse; pour mettre un commutateur DIP hors tension, mettre le DIP en position haute.

1. Lorsque deux onduleurs sont installés en parallèle, mettre sous tension le commutateur DIP de chaque onduleur.
2. Lorsque trois onduleurs sont installés en parallèle, mettre hors tension les commutateurs DIP du milieu de l'onduleur et mettre sous tension les commutateurs DIP restants.
3. Lorsque quatre onduleurs sont installés en parallèle, mettre hors tension les deux commutateurs DIP du milieu et mettre sous tension les commutateurs DIP restants.

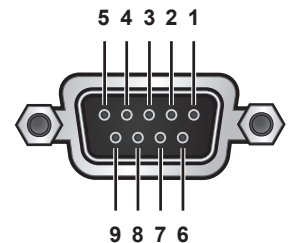


(Figure 6-2 : Commutateur en parallèle)

### 4 Port RS-232

Le port RS-232 est intégré au panneau arrière de l'onduleur pour fournir une communication entre l'onduleur et un ordinateur. Utiliser le logiciel de gestion de l'alimentation gratuit PowerAlert® de Tripp Lite (disponible pour téléchargement en visitant [www.tripplite.com/poweralert](http://www.tripplite.com/poweralert)) pour vérifier et surveiller l'état de l'onduleur via un ordinateur. Les informations détaillées sont comme suit :

1. Surveille le niveau de la charge, l'état des batteries, la tension des batteries, le mode de fonctionnement de l'onduleur, la tension d'entrée, la fréquence d'entrée, la tension de sortie et la température de l'onduleur.
2. Établit le délai de la mise hors tension.
3. Active/désactive les alertes audibles.
4. Prend en charge l'arrêt à distance.
5. Affectation des broches :
  - 1) Broche 2 : TXD <Transmettre des données>
  - 2) Broche 3 : RXD <Recevoir des données>
  - 3) Broche 5 : GND <mise à la terre du signal>
6. Quincaillerie
  - 1) Débit en bauds : 2 400 BPS
  - 2) Longueur des données : 8 bits
  - 3) Bit d'arrêt : 1 bit
  - 4) Parité : aucune



(Figure 6-3 : Port RS-232)

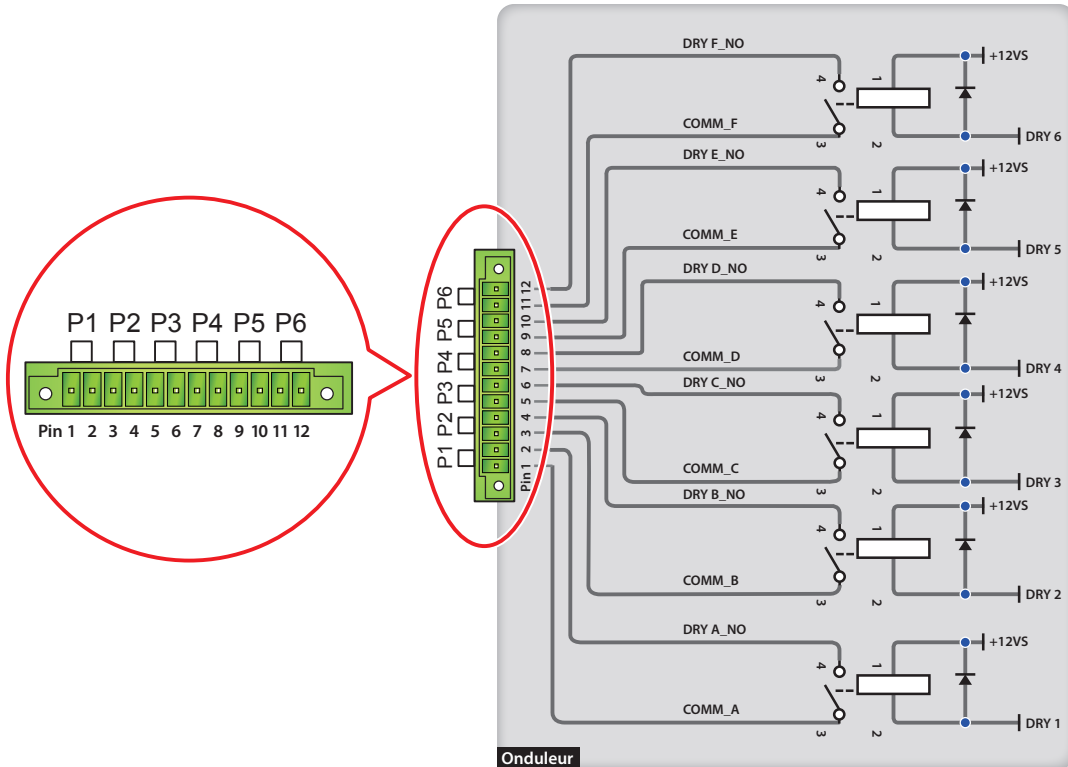
**Remarque :** Les autres broches sont réservées et ne peuvent pas être utilisées.

## 6. Interfaces de communication

### 5 Port USB

Le port USB intégré dans l'onduleur fournit une connexion USB de port de série RS-232. Cela permet un flux de données de série pour les ordinateurs et les ordinateurs portables qui n'ont pas de port de série de type DB9 commun avec des connexions RS-232. Une fois configuré dans Windows, ce port affiche et fonctionne comme un port COM standard.

### 6 Contacts secs de sortie



(Figure 6-4 : Contacts secs de sortie : Définition et conception des broches)

L'onduleur SmartOnline SUT fournit six ensembles de contacts secs de sortie programmables pour livrer des événements de l'onduleur. Il y a dix-huit événements sélectionnables, six peuvent être sélectionnés. Les contacts secs sont ouverts par défaut. Veuillez consulter le tableau ci-dessous.

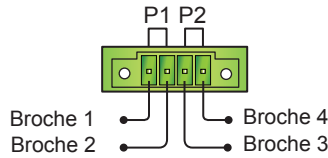
N°	Événement	Description
1	Mode en ligne	1. L'onduleur se trouve en mode normal. 2. Par défaut : Broches 1 et 2.
2	Mode dérivation	1. L'onduleur se trouve en mode de dérivation. 2. Par défaut : Broches 3 et 4.
3	Mode Battery (batterie)	1. Lorsque la source d'alimentation CA principale tombe en panne, l'onduleur fournit de l'alimentation par batteries à la charge connectée. 2. Par défaut : Broches 5 et 6.
4	Batterie faible	1. Lorsque l'onduleur fonctionne en mode batterie, la tension des batteries est inférieure à la limite établie, 220 V CC. 2. Par défaut : Broches 7 et 8.
5	Entrée de dérivation pas OK	1. La tension de dérivation, la fréquence ou l'ordre des phases est anormal/anormale. 2. Par défaut : Broches 9 et 10.
6	Échec du test de la batterie ou batterie manquante	1. Dans le processus de test de la batterie, la tension de la batterie se situe à l'extérieur de la limite établie. 2. Par défaut : Broches 11 et 12.



# 6. Interfaces de communication

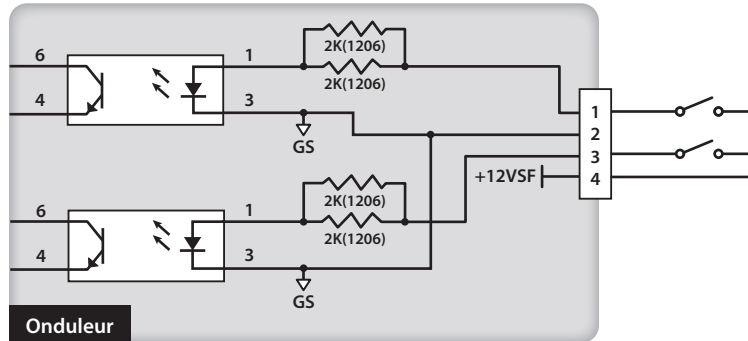
## 7 Contacts secs d'entrée

L'onduleur fournit deux ensembles de contacts secs d'entrée qui sont ouverts par défaut. Le paramètre par défaut pour les broches 1 et 2 est « ROO » et le paramètre par défaut des broches 3 et 4 est « Generator Power Supply Signal ». Il y a deux types de configuration :



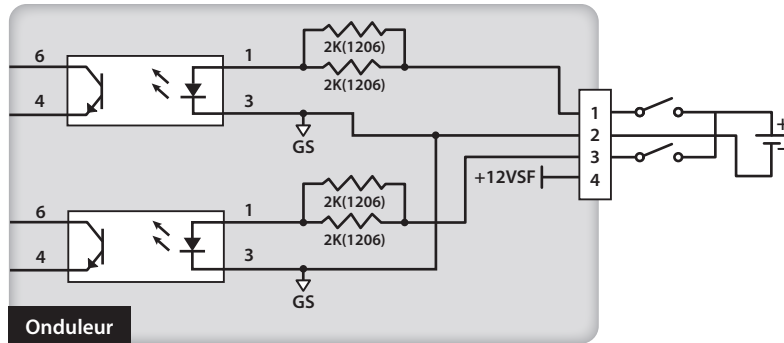
(Figure 6-5 : Contacts secs d'entrée)

La Figure 6-6 illustre le premier type de configuration des contacts secs d'entrée. Il exige une alimentation interne, + 12 VSF.



(Figure 6-6 : Configuration I des contacts secs d'entrée)

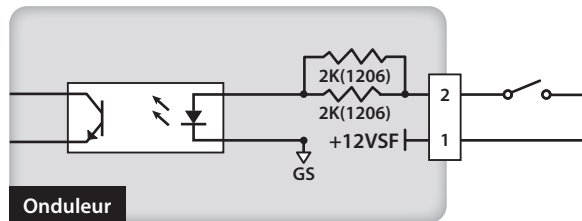
La Figure 6-7 illustre le second type de configuration des contacts secs d'entrée. Il exige une alimentation externe avec une plage de tension entre 6~12 V CC.



(Figure 6-7 : Configuration II des contacts secs d'entrée)

## 8 Port REPO

Le port REPO est pour l'arrêt d'urgence à distance. Lorsqu'un événement d'urgence survient, il déconnectera rapidement l'alimentation de l'onduleur et mettra immédiatement l'onduleur hors tension. La configuration est illustrée de la manière suivante.



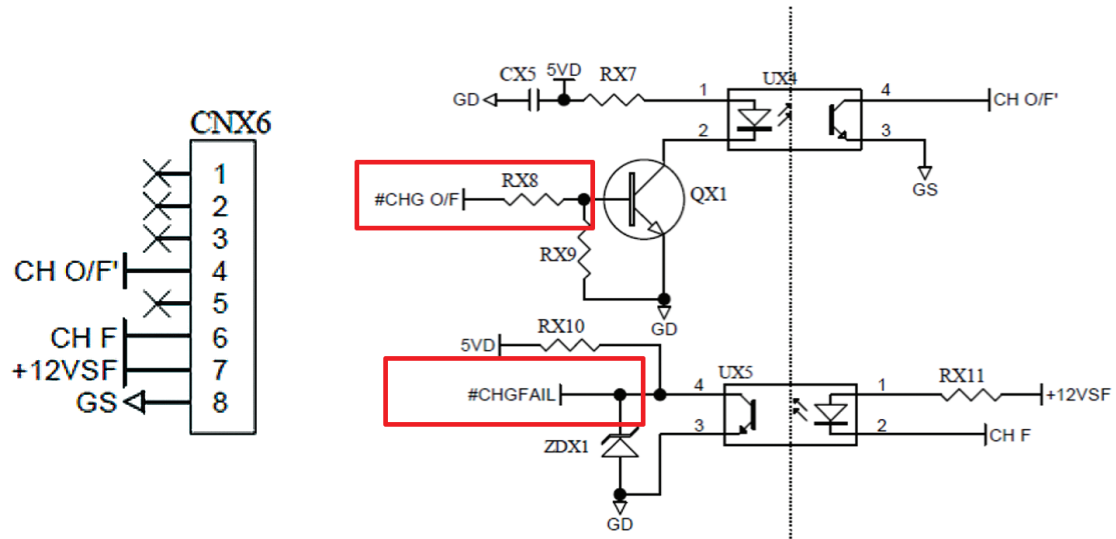
(Figure 6-8 : Configuration du port REPO)

## 6. Interfaces de communication

### 9 Port de chargement du chargeur

Le port de détection du chargeur est utilisé pour établir une connexion avec une boîte de chargeur externe. Avec ce port, l'onduleur peut détecter l'état de fonctionnement de la boîte du chargeur externe et contrôler son commutateur.

Comme illustré sur le schéma ci-dessous, il y a deux sources de signaux. Une source de signaux contrôle le mécanisme de chargement on/off (marche/arrêt) et l'autre source de signaux détecte l'état de chargement (échec/aucun échec).



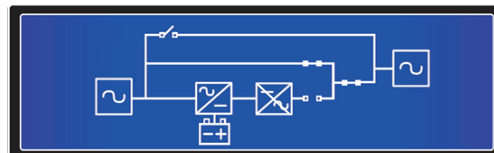
# 7. Fonctionnement

## 7.1 Raccorder l'onduleur avec l'alimentation CA du secteur

- 1 Si l'onduleur se connecte avec des armoires de batteries externes, s'assurer que les disjoncteurs ou les commutateurs de toutes les armoires de batteries externes ont été commutés en position ON (marche).
- 2 Mettre sous tension le disjoncteur d'entrée et fournir de l'alimentation CA à l'onduleur. Peu de temps après, les ventilateurs se mettront sous tension et l'écran d'initialisation ACL (Tripp Lite) s'affichera. L'onduleur passera ensuite en mode de dérivation. En mode de dérivation, le voyant à DEL (  **BYPASS** ) (dérivation) s'allume (jaune).



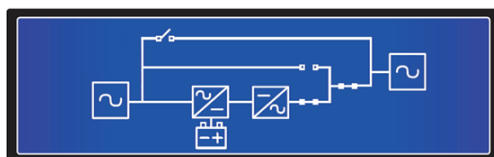
- NORMAL
- BATTERY
- BYPASS
- FAULT



## 7.2 Mise sous tension (démarrage de l'inverseur)

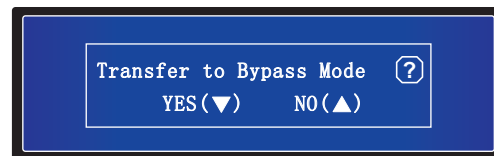
Appuyer sur la touche **ON** (  ) (marche) pendant 3 à 4 secondes. Après qu'un bip se fasse entendre, relâcher immédiatement la touche pour mettre l'onduleur sous tension. Une fois l'auto-diagnostic de l'onduleur complété, il passera en mode normal (en ligne) après environ 10 secondes. En mode en ligne, le voyant à DEL **NORMAL** (  **NORMAL** ) s'allume (vert).

- NORMAL
- BATTERY
- BYPASS
- FAULT



## 7.3 Mise hors tension (arrêt de l'onduleur)

En mode en ligne, appuyer une fois sur la touche **OFF** (arrêt) (  ). Pour arrêter l'inverseur, appuyer sur la touche DOWN (descendre) (  ). L'inverseur se mettra hors tension, le vibreur sonore se fera entendre une fois, et le système passera en mode de dérivation. À ce moment-là, le voyant à DEL (  **BYPASS** ) (dérivation) s'allumera (jaune). **AVERTISSEMENT CONCERNANT L'ARRÊT : La charge baissera à ce moment-là! Mettre le disjoncteur d'entrée hors tension. Le voyant à DEL BYPASS (dérivation) s'éteindra. Après environ une minute, l'onduleur se mettra alors hors tension.** Pour terminer l'arrêt complet, enlever l'alimentation CA.



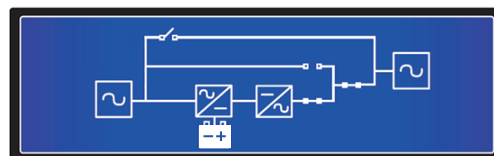
### AVERTISSEMENT :

L'onduleur peut être enlevé que lorsque l'écran ACL est éteint, les ventilateurs ont cessé de fonctionner, que l'alimentation CA du secteur est coupée et que les batteries ont été déconnectées.

## 7.4 Procédure de démarrage à froid (démarrage de la batterie)

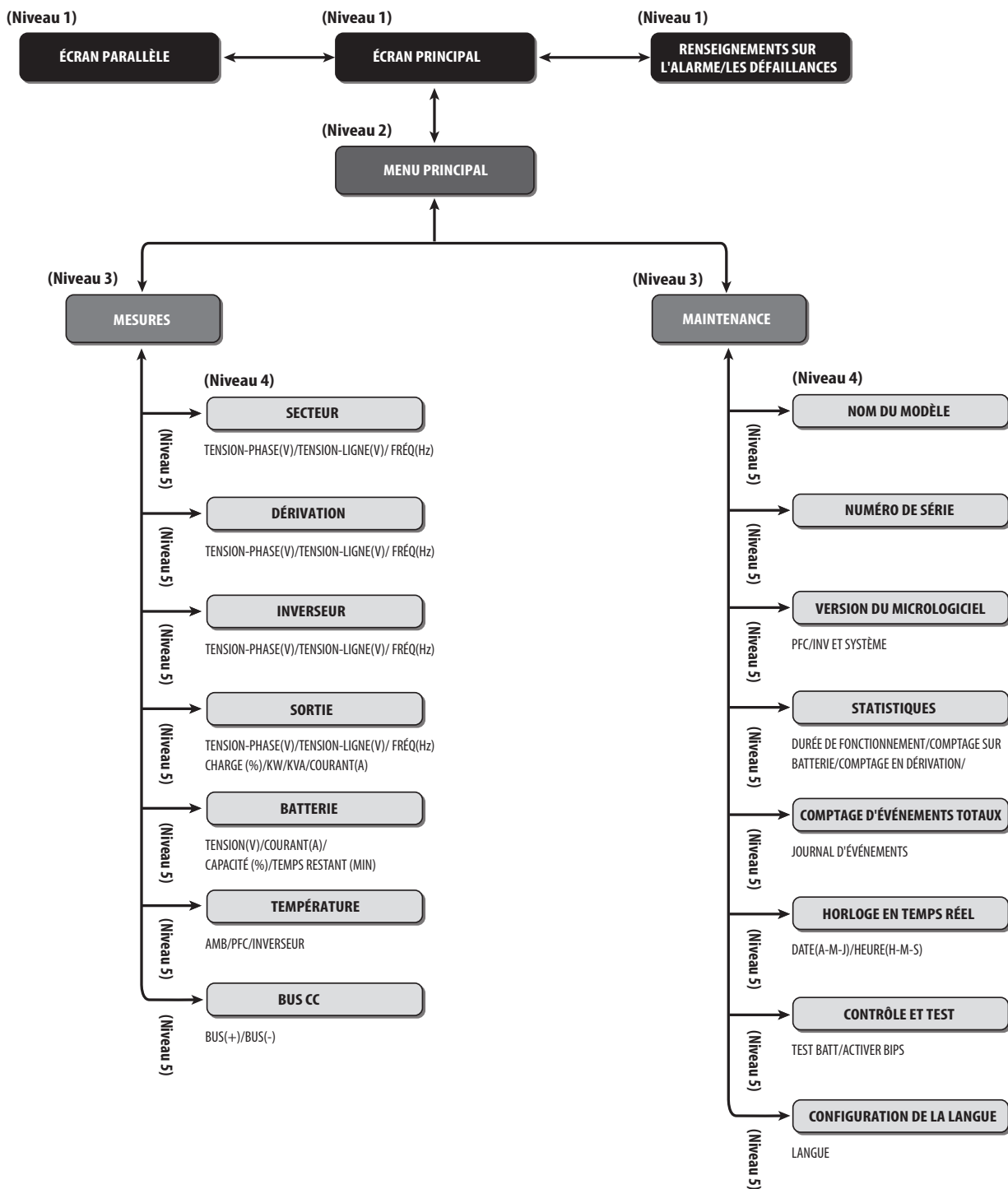
- 1 Si l'onduleur se connecte avec des armoires de batteries externes, s'assurer que les disjoncteurs ou les commutateurs de toutes les armoires de batteries externes ont été commutés en position ON (marche).
- 2 Appuyer sur la touche **ON** (marche) (  ) pendant 3 à 4 secondes. Après qu'un bip se fasse entendre, relâcher immédiatement la touche pour mettre l'onduleur sous tension. Peu de temps après, les ventilateurs se mettront sous tension et l'inverseur effectuera un démarrage en douceur. Après avoir atteint la tension nominale, l'onduleur s'activera en ligne en mode batterie. En mode batterie, le voyant à DEL (  **BATTERY** ) (batterie) s'allume (jaune). À ce moment-là, l'alarme sonore de l'onduleur émettra un bip et l'écran du mode batterie s'affichera.

- NORMAL
- BATTERY
- BYPASS
- FAULT



# 8. Écran ACL et paramètres de réglage

## 8.1 Hiérarchie de l'écran ACL



(Figure 8-1 : Hiérarchie de l'écran ACL)

### Remarques :

1. Consulter **4.4 Panneau de commande** pour des informations sur l'écran ACL et les touches de fonction.
2. Toutes les informations indiquées dans les diagrammes de l'écran LCD présentées en **8. Écran ACL et paramètres des réglages** est uniquement pour consultation. Les mesures réelles dépendent du fonctionnement de l'onduleur.

## 8. Écran ACL et paramètres de réglage

Après initialisation, l'écran ACL affiche les diagrammes actuels de l'état de l'onduleur. Le système présente différents écrans en fonction de l'état de l'onduleur. Les états de l'**Écran principal** de l'écran ACL sont présentés ci-dessous. Pour une description élémentaire du trajet de l'énergie électrique de l'onduleur dans ses différents modes de fonctionnement, consulter **5. Modes de fonctionnement**.

Les six états de l'onduleur indiqués dans l'écran ACL sont :



**L'onduleur est en mode Veille.** Lorsque la tension et la fréquence d'entrée de l'alimentation CA du secteur se situent à l'intérieur de la plage normale, l'onduleur fonctionne en mode veille et charge les batteries. La dérivation et l'inverseur d'énergie n'ont pas de sortie.



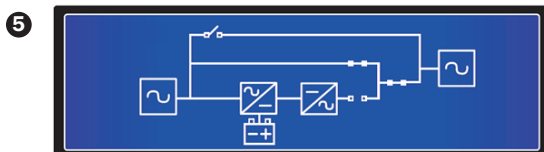
**L'onduleur se trouve en mode de dérivation.** La charge critique est fournie directement par l'alimentation du secteur et les batteries sont chargées. En mode de dérivation, le voyant à DEL BYPASS (dérivation) s'allume en jaune.



**L'onduleur se trouve en mode normal (en ligne).** La charge critique est fournie par l'inverseur d'énergie qui dérive son alimentation de l'alimentation CA du secteur. L'onduleur charge les batteries au besoin et fournit une protection de l'alimentation de l'équipement. En mode en ligne, le voyant à DEL NORMAL s'allume en vert.



**L'onduleur se trouve en mode batterie.** Lorsque l'onduleur fonctionne durant une coupure de courant, les batteries fournissent de l'alimentation CC qui maintient le fonctionnement de l'inverseur d'énergie pour prendre en charge la charge critique. En mode batterie, le voyant à DEL BATTERIE s'allume en jaune.



**Mode ECO.** L'onduleur peut être réglé en mode ECO manuellement. En mode ECO, lorsque la tension d'entrée du secteur se situe à  $\pm 10\%$  de la plage de tension nominale, la charge est fournie par l'alimentation du secteur et le voyant à DEL BYPASS (dérivation) s'allume en jaune; si la tension se situe en dehors de la plage, la charge est fournie par l'inverseur d'énergie et le voyant à DEL NORMAL s'allume en vert.



**Mode de conversion de la fréquence.** Lorsque l'onduleur est configuré manuellement en mode de conversion de la fréquence, la fréquence de sortie peut être configurée à 50 ou 60 Hz. Une fois la fréquence de sortie configurée, le système désactivera automatiquement la fonction de dérivation. Une fois l'inverseur d'énergie hors tension, il n'y a aucune sortie de dérivation. En mode de conversion de la fréquence, le voyant à DEL NORMAL s'allume en vert.





**Mode test de la batterie.** Confirmer que l'onduleur fonctionne en mode online, puis appuyer sur la touche ON (marche) pendant 3 secondes ou configurer le BATTERY TEST (test de la batterie) sur l'écran ACL. L'onduleur effectuera un test de la batterie uniquement lorsque la tension des batteries est supérieure à 160,8 V et que le chargeur se trouve en mode charge de maintien.



# 8. Écran ACL et paramètres de réglage

## 8.2 Menu des paramètres

**Cheminement : Écran principal → Menu des paramètres**

Les paramètres ne peuvent être modifiés que lorsque l'onduleur se trouve en mode de dérivation. Appuyer et maintenir pendant 3 secondes. En mode de dérivation, appuyer sur les touches de fonction (  ) et (  ) pour saisir le Menu des paramètres indiqué ci-dessous :



Utiliser les touches de fonction (  ) et (  ) pour afficher ou modifier les paramètres locaux, de dérivation, de sortie, du chargeur, de la batterie, du test de la batterie, de contrôle et de test, en parallèle et avancés de l'onduleur.

### 1. Configuration locale

**Cheminement : Écran principal → Paramètre → MENU LOCAL**



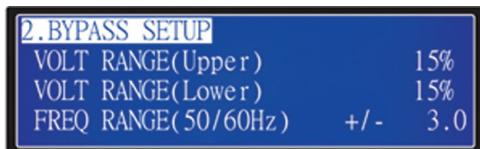
Le paramètre par défaut de la DATE et de l'HEURE est GMT.

Le paramètre par défaut du MOT DE PASSE est 0000.

Utiliser les touches de fonction (  ), (  ) et (  ) pour configurer la DATE, l'HEURE et le MOT DE PASSE.

### 2. Configuration de la dérivation





**Cheminement : Écran principal → Paramètre → MENU DE LA DÉRIVATION**



La plage de cette option est 5~15 %. Le paramètre par défaut de la GAMME DE VOLTS (supérieure) est 15 %.

La plage de cette option est 5~15 %. Le paramètre par défaut de la GAMME DE VOLTS (inférieure) est 15 %.

La plage de PLAGE DE FRÉQUENCE peut être réduite. Le paramètre par défaut de la PLAGE DE FRÉQUENCE est +/- 3,0.

L'onduleur fournit de la tension de sortie uniquement lorsque la tension de sortie se situe dans la plage de la CONFIGURATION DE LA DÉRIVATION. Utiliser les touches de fonction (  ), (  ) et (  ) pour modifier le paramètre CONFIGURATION DE LA DÉRIVATION. Appuyer sur (  ) pour confirmer la sélection lorsque cela est demandé.

## 8. Écran ACL et paramètres de réglage

### 3. Configuration de la sortie

Cheminement : Écran principal → Paramètre → MENU DE LA SORTIE

Appuyer sur (  ) pour faire défiler jusqu'au deuxième écran.

3.OUTPUT SETUP	
VOLT(V)	120
FREQ(Hz)	60
FREQ CONVERTER	OFF

3.OUTPUT SETUP	
ECO	OFF
REDUNDANCY(UNIT)	0
INDUSTRIAL	OFF

**VOLT (V)** : La tension de sortie de l'onduleur lorsque en mode normal (en ligne). Il y a deux paramètres : 120 V et 127 V. Le paramètre par défaut est 120 V.

**FRÉQUENCE (HZ)** : La fréquence de sortie de l'onduleur lorsque en mode normal (en ligne). Il y a deux paramètres pour la fréquence : 50 ou 60 Hz. Le paramètre par défaut est 50 Hz.

**CONVERTISSEUR DE FRÉQUENCE** : Active ou désactive le convertisseur de fréquence. Le paramètre par défaut est OFF (arrêt).

**ECO** : Active ou désactive le mode ECO. Le paramètre par défaut est OFF (arrêt).

**REDONDANCE (UNITÉ)** : Le nombre d'unités de redondance dans une configuration. Il y a 5 paramètres : 0, 1, 2, 3 et 4. Le paramètre par défaut est 0.

**INDUSTRIEL** : Lorsqu'une charge non linéaire est connectée avec un courant d'appel élevé, l'utilisateur peut passer à ce mode jusqu'à ce que le courant de sortie se rétablisse. Le paramètre par défaut est OFF (arrêt).

Utiliser les touches de fonction (  ), (  ) et (  ) pour modifier le paramètre CONFIGURATION DE LA SORTIE.

### 4. Configuration du chargeur

Cheminement : Écran principal → Paramètre → MENU DU CHARGEUR

Appuyer sur (  ) pour faire défiler jusqu'au deuxième écran.

4.CHARGER SETUP	
CHARGE CURRENT(A)	9.0
CHARGE FLOAT VOLT(V)	163
CHARGE BOOST VOLT(V)	168

4.CHARGER SETUP	
CHARGE BOOST VOLT(V)	168
BoostChargeTime(hours)	08
AutoBoostChargePeriod	OFF

**COURANT DE CHARGE** : La plage du courant de charge se situe entre 1 A~20 A. Les paramètres par défaut sont : SUT20K 2 A  
SUT30K 3 A  
SUT40K 3 A  
SUT60K 4 A

**TENSION DE CHARGE DE MAINTIEN (V)** : Configure la tension de maintien. Le paramètre par défaut est 163.

**TENSION DE CHARGE FORCÉE (V)** : Configure la tension d'amplification. Le paramètre par défaut est 168.

**DURÉE DE CHARGE FORCÉE (HEURES)** : Il y a six paramètres : 04, 08, 12, 16, 20 et 24. Le paramètre par défaut est 08.

**PÉRIODE DE CHARGE FORCÉE AUTOMATIQUE** : Il y a quatre paramètres : OFF (arrêt), 1 M, 3 M, 6 M (M = mois). Le paramètre par défaut est OFF (arrêt).

Utiliser les touches de fonction (  ), (  ) et (  ) pour modifier le paramètre CONFIGURATION DU CHARGEUR.

## 8. Écran ACL et paramètres de réglage

### 5. Configuration de la batterie

Cheminement : Écran principal → Menu des paramètres → CONFIGURATION DE LA BATTERIE

5. BATTERY SETUP	
BAT RATING VOLT(V)	144
TYPE(AH)	040
LOW BATTERY ALARM(V)	132

5. BATTERY SETUP	
SHUTDOWN VOLT(V)	120
BATTERY NUMBER	12
Install Data(Y-M-D)	00-00-00

5. BATTERY SETUP	
Install Data(Y-M-D)	00-00-00
Replace Data(Y-M-D)	00-00-00
TYPE	VRLA

**TENSION NOMINALE DE LA BATTERIE (V)** : Le paramètre par défaut est 144.

**TYPE (AH)** : Configure la tension nominale de la batterie. Le paramètre par défaut est SUT20K : 20 AH, SUT30K et SUT40K : 30 AH, SUT60K : 40 AH.

**ALARME DE BATTERIE FAIBLE (V)** : Le paramètre par défaut est 132.

**TENSION D'ARRÊT (V)** : Le paramètre par défaut est 120 V.

**NOMBRE DE BATTERIES** : Le paramètre par défaut est 12. Ne pas changer le paramètre par défaut.

**Date d'installation (A-M-J)** : Date d'installation de la batterie.

**Date de remplacement (A-M-J)** : Date du remplacement de la batterie.

Utiliser les touches de fonction ( ▲ ), ( ▼ ) et ( ← ) pour modifier le paramètre de CONFIGURATION DE LA BATTERIE.

### 6. Test de la batterie

Cheminement : Écran principal → Menu des paramètres → TEST DE LA BATTERIE

6. BATTERY TEST SETUP	
Auto Deepdischarge	OFF
Manual Test	Yes
Test Time(min)	05

6. BATTERY TEST SETUP	
Test Time(min)	05
Test Fail Volt(V)	132
Clear Test Result	Yes

**Décharge poussée automatique** : Il y a quatre paramètres OFF (arrêt), 30 D, 60 D et 90 D (D = jours). Le paramètre par défaut est OFF (arrêt).

**Test manuel** : Déclenche le démarrage d'un test manuel de la batterie. La durée du test est de cinq minutes. Si la tension de la batterie est inférieure à 132 V, le résultat est échec. Si la tension est supérieure, le résultat est réussi.

**Effacer le résultat du test** : Efface le résultat du test de la batterie.

Utiliser les touches de fonction ( ▲ ), ( ▼ ) et ( ← ) pour modifier ou initier le paramètre TEST DE LA BATTERIE.



## 8. Écran ACL et paramètres de réglage

### 7. Contrôle et test

Cheminement : Écran principal → Menu des paramètres → CONTRÔLE ET TEST



**TRANSFERT DE DÉRIVATION FORCÉ** : Active ou désactive le Transfert de dérivation forcé. Le paramètre par défaut est YES (oui).

**REDÉMARRAGE AUTOMATIQUE** : Active ou désactive le redémarrage automatique. S'il est réglé sur ON (marche), l'onduleur s'arrête et redémarre automatiquement. Le réglage par défaut est ON (marche).

Utiliser les touches de fonction ( ▲ ), ( ▼ ) et ( ← ) pour modifier le paramètre CONTRÔLE ET TEST.

### 8. Configuration parallèle

Cheminement : Écran principal → Menu des paramètres → CONFIGURATION EN PARALLÈLE



**ID PARALLÈLE** : Chaque ID PARALLÈLE des onduleurs en parallèle doit être différent. Lorsque les onduleurs sont en configuration parallèle, l'ID PARALLÈLE peut être modifié pour éviter un conflit d'ID. Il existe quatre réglages : 01, 02, 03 et 04.

Utiliser les touches de fonction ( ▲ ), ( ▼ ) et ( ← ) peut modifier le réglage d'ID PARALLÈLE.

### 9. Avancé

Cheminement : Écran principal → Menu des paramètres → AVANCÉ



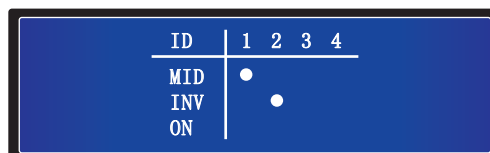
**EFFACER STATISTIQUES** : Comprend DURÉE DE FONCTIONNEMENT, COMPTAGE SUR BATTERIE, COMPTAGE EN DÉRIVATION et COMPTAGE D'ÉVÉNEMENTS TOTAUX. Les statistiques de tous les éléments ci-dessus peuvent être effacées.

**MISE À NIVEAU DU MICROLOGICIEL** : Cette option met à niveau le micrologiciel. Les mises à jour de micrologiciel doivent être effectuées uniquement par du personnel qualifié. Deux choix de mise à niveau sont possibles : PFC et SYSTÈME

Utiliser les touches de fonction ( ▲ ), ( ▼ ) et ( ← ) pour modifier le paramètre AVANCÉ.

### 8.3 Écran parallèle

Lorsque les onduleurs sont configurés en parallèle, appuyer sur la touche de fonction ( ▲ ) ou ( ▼ ) sur l'Écran principal pour accéder à l'Écran parallèle :



- **ID** : En mode parallèle, il s'agit du numéro d'identification de l'onduleur.
- **MID** : Numéro d'identification de l'onduleur maître. (En mode parallèle, il n'y a qu'un onduleur maître).
- **INV** : « ● » signifie « CONNECTÉ ».
- **ON** : « ● » signifie « INVERSEUR D'ÉNERGIE EN MARCHÉ ».

# 8. Écran ACL et paramètres de réglage

## 8.4 Menu principal

Sur l'Écran principal, appuyer sur la touche de fonction (  ) pour accéder au Menu principal.



### MESURES



Consulter les mesures secteur, dérivation, inverseur d'énergie, sortie, batterie, température et BUS CC de l'onduleur.

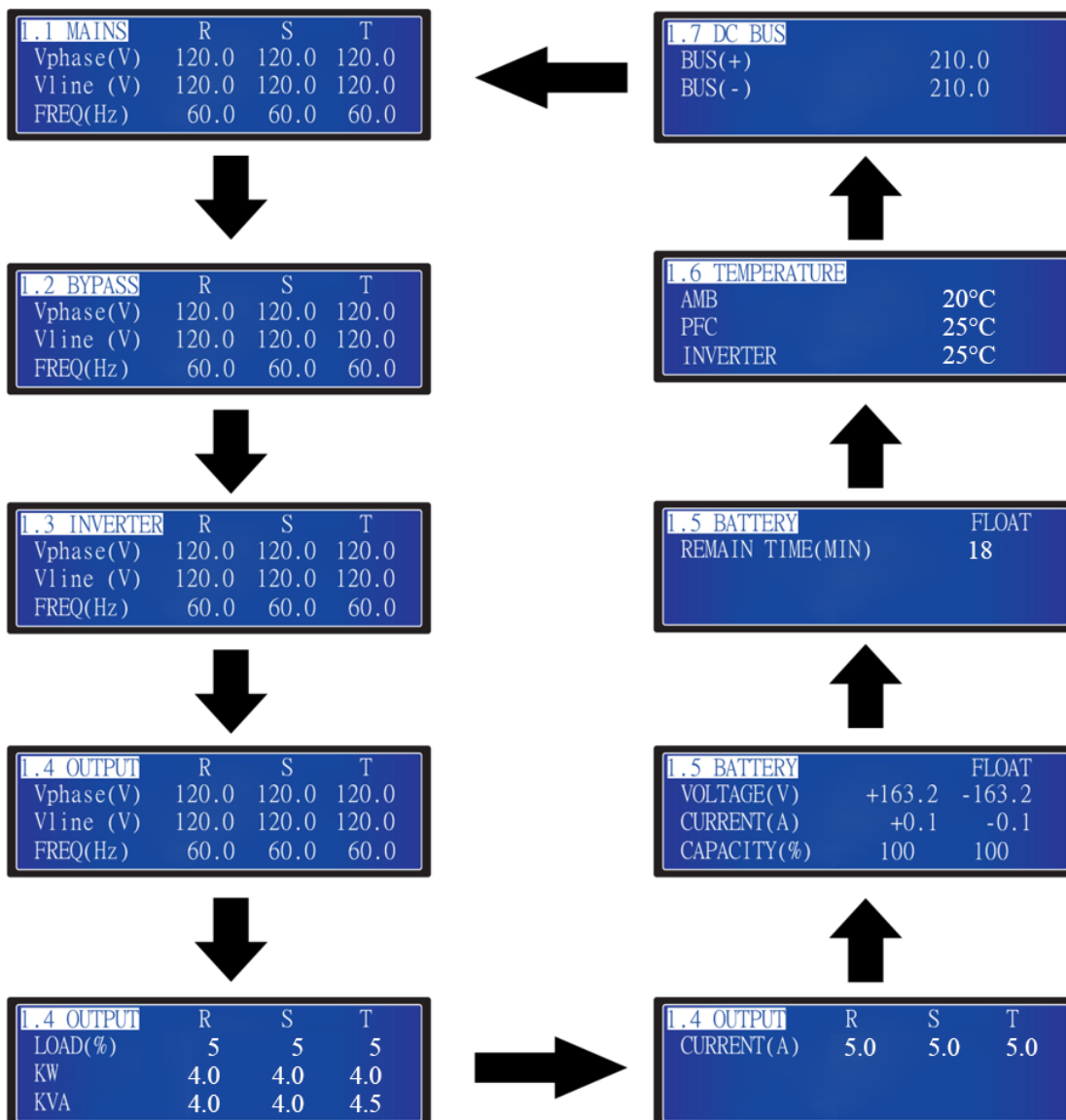
### MAINTENANCE

Consulter le nom du modèle, le numéro de série, la version du micrologiciel, les statistiques, le journal d'événements, l'horloge en temps réel ainsi que la configuration de contrôle, de test et de langue de l'onduleur. L'utilisateur peut configurer les deux derniers éléments.

## 8.5 Mesures

Cheminement : Écran principal → Menu principal → Mesures

Utiliser les touches de fonction (  ) et (  ) pour consulter les mesures secteur, dérivation, inverseur d'énergie, sortie, batterie, température et BUS CC de l'onduleur. Appuyer sur ESC (quitter) pour retourner au menu principal.



## 8. Écran ACL et paramètres de réglage

### 8.6 Maintenance

**Cheminement : Écran principal → Menu principal → Maintenance**

Utiliser les touches de fonction ( ▲ ) et ( ▼ ) pour consulter le nom du modèle, le numéro de série, la version du micrologiciel, les statistiques, le journal d'événements, l'horloge en temps réel ainsi que la configuration de contrôle, de test et de langue de l'onduleur. Appuyer sur ( ← ) pour faire défiler jusqu'à confirmer la sélection. Appuyer sur ESC (quitter) pour retourner à l'écran principal. L'utilisateur peut configurer les deux derniers éléments.

#### Nom du modèle

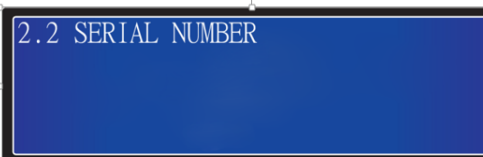
**Cheminement : Écran principal → Menu principal → Maintenance → 2.1 Nom du modèle**



```
2.1 MODEL NAME
SUT60K
```

#### Numéro de série

**Cheminement : Écran principal → Menu principal → Maintenance → 2.2 Numéro de série**



```
2.2 SERIAL NUMBER
```

#### Version du micrologiciel

**Cheminement : Écran principal → Menu principal → Maintenance → 2.3 Version du micrologiciel**



```
2.3 FIRMWARE VERSION
PFC          PFC V01
INV & SYSTEM INV V01
```

L'écran ci-dessus indique le PFC et la version de micrologiciel du SYSTÈME et INV. (V01 est présenté à titre d'exemple seulement; la version actuelle du micrologiciel peut être différente.)

#### Statistiques

**Cheminement : Écran principal → Menu principal → Maintenance → 2.4 Statistiques**

Appuyer sur ( ← ) pour faire défiler jusqu'au deuxième écran.



```
2.4 STATISTICS
RUN TIME:          7 12:00:00
ON BAT COUNTS:    10
ON BYPASS COUNTS: 5
```



```
2.4 STATISTICS
TOTAL OF EVENT LOG 1000
```

- 1. DURÉE DE FONCTIONNEMENT (JJ HH : MM : SS) :** La durée de fonctionnement totale de l'onduleur.
- 2. COMPTAGE SUR BATTERIE :** Nombre de fois où l'onduleur fonctionne en mode Batterie.
- 3. COMPTAGE EN DÉRIVATION :** Nombre de fois où l'onduleur fonctionne en mode Dérivation.
- 4. COMPTAGE D'ÉVÉNEMENTS TOTAUX :** Le nombre total d'événements journalisés de l'onduleur. Le nombre maximum d'événements stockés est 1 000.

## 8. Écran ACL et paramètres de réglage

### Journal d'événements

Cheminement : Écran principal → Menu principal → Maintenance → 2.5 Journal d'événements

```
2.5 EVENT LOG          0100/1000
17-02-01 00:00:00
088:      001#
AC MODE
```

L'écran ci-dessus présente le numéro d'événement, la date et l'heure de l'événement et les descriptions de l'événement. Utiliser les touches de fonction ( ▲ ) et ( ▼ ) pour afficher d'autres événements. Le numéro d'événement signifie le code de l'événement. Plus le numéro d'événement est élevé, plus l'événement est récent. Les anciens événements sont écrasés lorsque le nombre total d'événements dépasse la capacité de stockage (jusqu'à 1,000 événements peuvent être enregistrés).

### Horloge en temps réel

Cheminement : Écran principal → Menu principal → Maintenance → 2.6 Horloge en temps réel

```
2.6 REAL TIME CLOCK
DATE(Y-M-D)      17-02-01
TIME(H-M-S)     12:00:10
```

L'écran ci-dessus indique la date et l'heure.

### Contrôle et test

Cheminement : Écran principal → Menu principal → Maintenance → 2.7 Contrôle et test

<pre>2.7 CONTROL &amp; TEST BATT TEST          10sec BEEP ENABLE        ON COMMON BATT        OFF</pre>	<pre>2.7 CONTROL &amp; TEST BEEP ENABLE        ON COMMON BATT        OFF SMB                OFF</pre>
---	---

1. **BATT TEST (test de la batterie)** : Active ou désactive le test des batteries. Il y a trois choix possibles :

**ABORT (annuler)** – Annule la décharge poussée de la batterie. La décharge poussée peut être annulée à tout moment durant le processus de déchargement de la batterie.

**DEEP (poussée)** – Décharge complètement la batterie. Cela est recommandé après l'installation initiale et une fois par année par la suite pour assurer que les bonnes valeurs sur la durée de fonctionnement sont affichées.

**10 SEC** – Décharge la batterie pendant 10 secondes. Recommandé tous les 30 jours.

2. **BEEP ENABLE (activer bips)** : Active ou désactive l'avertisseur sonore.

3. **COMMON BATT (batterie commune)** : Si deux onduleurs partagent une batterie commune, le paramètre COMMON BATT doit être activé sur les deux onduleurs.

4. **SMB** : Synchronized Multiple Bus (bus multiples synchronisés); contacter le soutien technique de Tripp Lite pour plus de renseignements.

### Configuration de la langue

Cheminement : Écran principal → Menu principal → Maintenance → 2.8 Configuration de la langue

```
2.8 LANGUAGE SETUP
LANGUAGE           English
```

La langue par défaut est l'anglais. Les autres langues d'affichage disponibles incluent : français, allemand, russe, portugais, espagnol, turc et polonais.

## 9. Accessoires disponibles en option

Plusieurs accessoires offerts en option sont disponibles pour les onduleurs SmartOnline de la série SUT. Consulter le site Web de Tripp Lite à l'adresse [www.tripplite.com](http://www.tripplite.com) pour découvrir tous les accessoires, notamment les accessoires de communication, de surveillance et les armoires de batteries associés pour une durée de fonctionnement prolongée.

## 10. Maintenance

### Onduleur

#### 1. Nettoyage de l'onduleur :

Nettoyer régulièrement l'onduleur, en particulier les événements et les ouvertures, pour garantir la bonne circulation de l'air dans l'onduleur et éviter la surchauffe. Si nécessaire, utiliser une soufflette à air pour nettoyer les événements et les ouvertures pour empêcher des objets de bloquer ou de couvrir ces zones. Ne pas laisser de l'eau pénétrer dans les événements et les ouvertures pendant le nettoyage.

#### 2. Inspection régulière de l'onduleur :

Inspecter régulièrement l'onduleur tous les six mois et vérifier :

- 1) Si l'onduleur, les voyants à DEL et l'alarme fonctionnent normalement.
- 2) Si l'onduleur fonctionne en mode Dérivation (en général, l'onduleur fonctionnera en mode Normal [en ligne]). Si oui, vérifier si une erreur, une surcharge, une défaillance interne, etc. se produit.
- 3) Si la tension de la batterie est normale. Si la tension de la batterie est trop élevée ou trop basse, trouver l'origine.

### Batterie

L'onduleur triphasé SmartOnline® de Tripp Lite avec batterie intégrée utilise des batteries au plomb scellées. La durée de vie de la batterie dépend de la température de fonctionnement, de l'utilisation et de la fréquence de charge/décharge. Les environnements à température élevée et les fréquences élevées de charge/décharge réduisent rapidement la durée de vie de la batterie. Veuillez suivre les conseils ci-dessous pour garantir une durée de vie normale des batteries.

1. Garder la température de fonctionnement entre 20~25 °C (68-77 °F).
2. Lorsque l'onduleur doit être stocké pendant une période prolongée, les batteries doivent être rechargées une fois tous les trois mois et la durée de charge doit être d'au moins 24 heures chaque fois.

### Ventilateur

Des températures élevées réduisent la durée de vie des ventilateurs. Lorsque l'onduleur fonctionne, veuillez vérifier si tous les ventilateurs fonctionnent normalement et s'assurer que l'air peut se déplacer librement autour et dans l'onduleur. Si non, remplacer les ventilateurs.

**Remarque :** Contacter le support technique Tripp Lite pour obtenir plus d'informations sur la maintenance. Ne pas effectuer de tâches de maintenance sans les qualifications nécessaires.

# 11. Dépannage

Si les alertes suivantes s'affichent sur l'écran ACL, suivre les solutions indiquées ci-dessous.

N° Message d'alarme	Cause possible	Solution
1 SHORT CIRCUIT (court-circuit)	La sortie a un problème de court-circuit.	Contacter le personnel d'entretien.
2 INVERTER FAIL (défaillance de l'inverseur d'énergie)	L'inverseur d'énergie est endommagé.	Contacter le personnel d'entretien.
3 OVER TEMPERATURE (surchauffe)	La température de l'onduleur est trop élevée.	<ol style="list-style-type: none"> <li>1. Choisir une zone bien ventilée.</li> <li>2. Réduire la charge sur l'onduleur.</li> <li>3. Vérifier si les ventilateurs fonctionnent normalement.</li> <li>4. Nettoyer les filtres s'ils sont installés.</li> </ol>
4 PFC AMBIENT OVER TEMP. FAIL (surchauffe temp. ambiante PFC défaillance)	La température de l'onduleur est trop élevée.	<ol style="list-style-type: none"> <li>1. Choisir une zone bien ventilée.</li> <li>2. Réduire la charge sur l'onduleur.</li> <li>3. Vérifier si les ventilateurs fonctionnent normalement.</li> <li>4. Nettoyer les filtres s'ils sont installés.</li> </ol>
5 INVERTER SCR OPEN (SCR de l'inverseur d'énergie ouvert)	Le pilote SCR de l'inverseur d'énergie est anormal.	Contacter le personnel d'entretien.
6 BYPASS SCR OPEN (SCR de dérivation ouvert)	Le pilote SCR de dérivation est anormal.	Contacter le personnel d'entretien.
7 OVERLOAD (surcharge)	L'onduleur est surchargé.	Retirer des charges inutiles pour que la capacité de charge totale soit inférieure à 95 %.
8 FAN FAIL (défaillance ventilateur)	Les ventilateurs sont endommagés ou bloqués.	Contacter le personnel d'entretien.
9 BYPASS SCR SHORT FAIL (défaillance court-circuit SCR de dérivation)	<ol style="list-style-type: none"> <li>1. Le pilote SCR de dérivation est endommagé.</li> <li>2. Le SCR de dérivation a un problème de court-circuit.</li> </ol>	Contacter le personnel d'entretien.
10 INPUT SCR SHORT FAIL (défaillance court-circuit SCR d'entrée)	<ol style="list-style-type: none"> <li>1. Le pilote SCR d'entrée est endommagé.</li> <li>2. Le SCR d'entrée a un problème de court-circuit.</li> </ol>	Contacter le personnel d'entretien.
11 OUTPUT FUSE FAIL (défaillance du fusible de sortie)	Le fusible de sortie a rompu.	Contacter le personnel d'entretien.
12 AUX POWER FAIL (défaillance alimentation aux.)	L'alimentation auxiliaire est endommagée.	Contacter le personnel d'entretien.
13 INDUSTRY PROTECT (protection industrie)	En mode industriel, la sortie a un problème de surintensité.	Vérifier si la sortie est normale.
14 BATTERY REVERSED (batteries inversées)	Les batteries sont raccordées à l'envers.	Vérifier la polarité des batteries.
15 INPUT PHASE SEQUENCE FAIL (défaillance de la séquence de la phase d'entrée)	La séquence de la phase d'entrée est erronée.	Vérifier la séquence de la phase d'entrée.
16 INVERTER SOFT START FAIL (défaillance du démarrage progressif de l'inverseur d'énergie)	<ol style="list-style-type: none"> <li>1. La détection de l'inverseur d'énergie est anormale.</li> <li>2. Le pilote de l'inverseur d'énergie est endommagé.</li> </ol>	Contacter le personnel d'entretien.
17 INNER COMMUNICATION FAIL (défaillance communication intérieure)	Le câble de communication intérieure n'est pas bien connecté.	Contacter le personnel d'entretien.
18 PFC SUPERVISOR FAIL (défaillance superviseur PFC)	LE CPU PFC est endommagé.	Contacter le personnel d'entretien.
19 DC BUS HIGH SHUTDOWN (arrêt bus CC élevé)	<ol style="list-style-type: none"> <li>1. Les sorties présentent des anomalies.</li> <li>2. L'onduleur présente des anomalies internes.</li> </ol>	Contacter le personnel d'entretien.
20 DC BUS LOW SHUTDOWN (arrêt bus CC faible)	<ol style="list-style-type: none"> <li>1. Les sorties présentent des anomalies.</li> <li>2. L'onduleur présente des anomalies internes.</li> </ol>	Contacter le personnel d'entretien.
21 INPUT FUSE FAIL (défaillance du fusible d'entrée)	Le fusible d'entrée a rompu.	Contacter le personnel d'entretien.
22 INVERTER SUPERVISOR FAIL (défaillance du superviseur de l'inverseur d'énergie)	Le CPU de l'inverseur d'énergie est endommagé.	Contacter le personnel d'entretien.
23 PFC SOFT START FAIL (défaillance démarrage progressif PFC)	<ol style="list-style-type: none"> <li>1. Le tube du redresseur est endommagé.</li> <li>2. Le pilote est endommagé.</li> </ol>	Contacter le personnel d'entretien.
24 BYPASS PHASE SEQUENCE FAIL (défaillance de la séquence de la phase de dérivation)	La séquence de la phase de dérivation est erronée.	Vérifier la séquence de la phase de dérivation.
25 NTC OPEN FAIL (défaillance de l'ouverture NTC)	<ol style="list-style-type: none"> <li>1. Le NTC n'est pas bien raccordé.</li> <li>2. La ligne NTC est coupée.</li> </ol>	Contacter le personnel d'entretien.
26 INVERTER OUTPUT SCR SHORT (court-circuit SRC de sortie de l'inverseur d'énergie)	<ol style="list-style-type: none"> <li>1. Le pilote SCR de l'inverseur d'énergie est anormal.</li> <li>2. Le SCR de l'inverseur d'énergie est endommagé.</li> </ol>	Contacter le personnel d'entretien.
27 BATTERY LOW SHUTDOWN (arrêt pour batterie faible)	La tension des batteries est faible.	Recharger les batteries.
28 BATTERY LEVEL FAIL (échec du niveau de la batterie)	Le résultat du test de la batterie est anormal.	Contacter le soutien technique de Tripp Lite.

**Remarque** : Si toutes les causes possibles sont éliminées, mais l'alarme apparaît toujours, contacter l'assistance technique Tripp Lite.

# Annexe 1 : Caractéristiques techniques

Modèle	SUT20K	SUT30K	SUT40K	SUT60K	
<b>CAPACITÉ (PF conditionnel déclassé à 0,9)</b>	20 kVA/20 kW	30 kVA/30 kW	40 kVA/40 kW	60 kVA/60 kW	
<b>TOPOLOGIE</b>	Double conversion en ligne réelle VFI (indépendant de la tension et de la fréquence)				
<b>ENTRÉE</b>					
Tension	208/220 V (Ph-Ph), 120/127 V (Ph-N)				
Plage de tension	Plage, pleine charge : 187~253 V CA (Ph-Ph), 108~146 VCA (Ph-N) Plage déclassée de 100 % à 63 % de charge : 125~187 VCA (Ph-Ph), 72~108 VCA (Ph-N)				
Phase	Triphasé, neutre et masse				
Fréquence de fonctionnement	50/60 Hz (sélectionnable)				
Plage de fréquence	40 – 70 Hz				
Facteur de puissance	>0,99 %				
THDi	<4 %				
Pont inverseur	Technologie IGBT				
<b>SORTIE</b>					
Tension	208/220 V (Ph-Ph), (triphasé, 4 fils, référence neutre vers neutre de dérivation)				
Régulation de la tension CA	+/- 1 %				
Facteur de puissance	1				
Fréquence	50/60 Hz (sélectionnable)				
Plage de fréquence	+/- 0,05 Hz				
Surcharge	Mode CA	105 % : continu			
		106 – 125 % : 10 minutes			
		126 – 150 % : 1 minute			
		>150 % : 1 seconde			
Facteur de crête	3:1				
Distorsion harmonique	<3 % (charge linéaire)				
Forme d'onde de sortie	Signal sinusoïdal pur				
<b>DÉRIVATION</b>					
Dérivation automatique	Standard				
Dérivation de maintenance manuelle	Standard				
Temps de transfert	<= 1 ms				
Tolérance de tension de dérivation par défaut	± 15 %				
Surcharge	Se reporter à la capacité du disjoncteur de dérivation				
<b>BATTERIE</b>					
Type de batterie	Au plomb à régulation par soupape (VRLA) scellée sans maintenance				
Capacité des batteries	12V/9AH	12 x 4 chaînes	12 x 6 chaînes	12 x 6 chaînes	12 x 8 chaînes
Tension de maintien	+/- 163,2 V (+/- 2 V)				
Tension d'amplification	+/- 168 V (+/- 2 V)				
Tension de fin de décharge	+/- 120 V (+/- 2 V)				

# Annexe 1 : Caractéristiques techniques

Modèle		SUT20K	SUT30K	SUT40K	SUT60K
Durée de stockage de la batterie		6 mois (sans recharge, 25 °C (77 °F))			
Cartouche de batterie de recharge (R.B.C.)		RBCSUT			
Capacité du chargeur de batterie	Minimum	1 A	1 A	1 A	1 A
	Maximum	10 A	10 A	20 A	20 A
	Par défaut	2 A	3 A	3 A	4 A

## ENVIRONNEMENT

Rendement (Mode inverseur)	Jusqu'à 94 %			
Rendement (Mode ECO)	Jusqu'à 98 %			
Température de fonctionnement	0 – 40 °C			
Température de stockage (hors module batterie)	-15 – 60 °C			
Humidité de fonctionnement	0 – 95 % (sans condensation)			
Altitude de fonctionnement	<1 000 m (1 % de réduction par 100 m au-dessus de 1 000 m)			
Bruit audible	<65 dBA	<65 dBA	<70 dBA	<70 dBA
Degré de protection	IP20			

## GESTION

Écran ACL multifonction	Standard			
RS232 (sériel)	Standard			
USB	Standard			
SNMP	Option			
Interface de relais	Standard			
Arrêt d'urgence (EPO)	Standard			

## NORMES

Sécurité	UL 1778, CSA C22.2 N° 107.3			
CEM	FCC Partie 15 Classe A (CEM)			
Surtension	CEI/EN 61000-4-5 niveau 4			
Immunité de conduction	CEI/EN 61000-4-6			
Homologations	UL			

## DURÉE DE FONCTIONNEMENT DE LA BATTERIE

50 %/75 %/100 % de charge (min.)	15/9/5	15/9/6	11/6/3,5	9,5/5/3
----------------------------------	--------	--------	----------	---------

## DIMENSIONS ET POIDS

Dimensions (H x L x P)	1380 x 521 x 800 mm (54,3 x 20,5 x 31,5 po)	1380 x 521 x 800 mm (54,3 x 20,5 x 31,5 po)	1760 x 521 x 800 mm (69,3 x 20,5 x 31,5 po)	1760 x 521 x 800 mm (69,3 x 20,5 x 31,5 po)
Poids	360 kg (794 lb.)	420 kg (926 lb.)	480 kg (1058 lb.)	560 kg (1235 lb.)
Dimensions d'expédition (H x L x P)	1570 x 720 x 1000 mm (61,8 x 238,3 x 39,4 po)	1570 x 720 x 1000 mm (61,8 x 238,3 x 39,4 po)	1920 x 720 x 1000 mm (75,6 x 28,3 x 39,4 po)	1920 x 720 x 1000 mm (75,6 x 28,3 x 39,4 po)
Poids d'expédition	400 kg (882 lb.)	460 kg (1014 lb.)	530 kg (1168 lb.)	610 kg (1345 lb.)
Couleur	RAL 9005 (noir)			

## Remarques :

1. Veuillez consulter la plaque signalétique pour les valeurs de sécurité.
2. Toutes les caractéristiques techniques peuvent être modifiées sans préavis.



## Annexe 2 : Garantie

### Garantie limitée de 1 an

Le vendeur garantit que ce produit, s'il est utilisé conformément à toutes les instructions applicables, est exempt de tous défauts de matériaux et de fabrication pour une période de 1 an à partir de la date d'achat initiale. Si le produit s'avère défectueux en raison d'un vice de matière ou de fabrication au cours de cette période, le vendeur s'engage à réparer ou remplacer le produit, à sa seule discrétion. Le service sous cette garantie inclut les pièces et la main-d'œuvre du centre de service de Tripp Lite. Tripp Lite offre des plans de services sur place par le biais de partenaires de service autorisés (dans la plupart des régions). Visitez [www.tripplite.com](http://www.tripplite.com) pour plus de détails. Les clients internationaux doivent contacter l'assistance de Tripp Lite support à [intlservice@tripplite.com](mailto:intlservice@tripplite.com).

CETTE GARANTIE NE S'APPLIQUE PAS À L'USURE NORMALE OU AUX DOMMAGES RÉSULTANT D'UNE MAUVAISE UTILISATION, D'UN ABUS OU D'UNE NÉGLIGENCE. LE VENDEUR NE DONNE AUCUNE GARANTIE EXPRESSE AUTRE QUE LA GARANTIE EXPRESSÉMENT DÉCRITE DANS LE PRÉSENT DOCUMENT. SAUF DANS LA MESURE INTERDITE PAR LA LOI APPLICABLE, TOUTE GARANTIE IMPLICITE, Y COMPRIS TOUTES LES GARANTIES DE QUALITÉ MARCHANDE OU D'ADAPTATION, SONT LIMITÉES À LA PÉRIODE DE GARANTIE CI-DESSUS ET CETTE GARANTIE EXCLUT EXPRESSÉMENT TOUS DOMMAGES DIRECTS ET INDIRECTS. (Certains États ne permettent pas de limitations sur la durée d'une garantie implicite, et certains états ne permettent pas l'exclusion ou la limitation des dommages fortuits ou consécutifs, de sorte que les limitations ou exclusions susmentionnées peuvent ne pas s'appliquer à vous. Cette garantie vous donne des droits légaux spécifiques, et vous pouvez avoir d'autres droits qui varient selon la juridiction).

Tripp Lite; 1111 W. 35th Street; Chicago IL 60609; USA

AVERTISSEMENT : L'utilisateur individuel doit prendre soin de déterminer avant l'utilisation si cet appareil est approprié, adéquat et sûr pour l'usage prévu. Puisque les utilisations individuelles sont sujettes à des variations importantes, le fabricant ne fait aucune déclaration ou garantie quant à l'aptitude ou l'adaptation de ces dispositifs pour une application spécifique.

### Numéros d'identification à la conformité réglementaire

À des fins de certification de conformité réglementaire et d'identification, un numéro de série unique a été attribué à votre produit Tripp Lite. Le numéro de série ainsi que toutes les marques d'homologation et les renseignements requis se trouvent sur la plaque signalétique du produit. Lors d'une demande de renseignements concernant la conformité de ce produit, toujours se reporter au numéro de série. Le numéro de série ne doit pas être confondu avec le nom de la marque ou le numéro de modèle du produit.

La politique de Tripp Lite en est une d'amélioration continue. Les caractéristiques techniques sont modifiables sans préavis.

### Remarque au sujet de l'étiquetage

Les symboles suivants sont utilisés sur l'étiquette :

V~ Tension CA

V= Tension CC

∅ Phase

⊕ Terre







1111 W. 35th Street, Chicago, IL 60609 USA • [www.tripplite.com/support](http://www.tripplite.com/support)