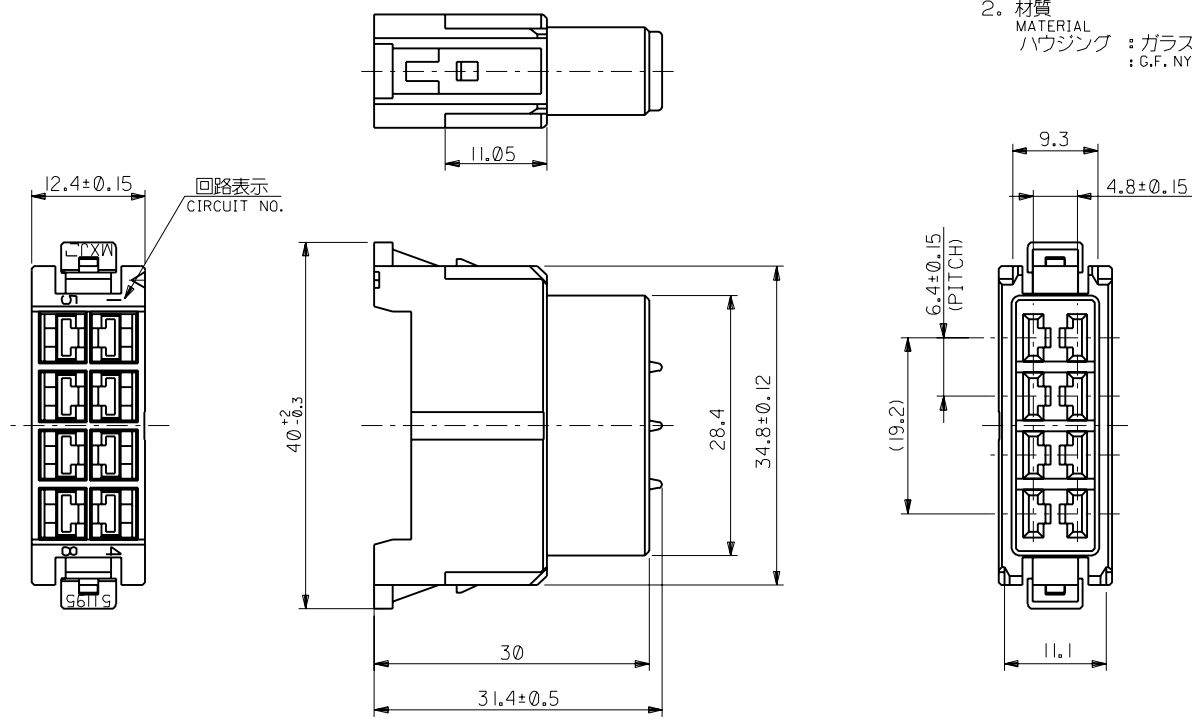


DWG. NO. SD-51195-002

注記  
NOTES.

- 適合ターミナル : 50637-0\*49 (被覆外径 $\phi$ 2.8~ $\phi$ 3.8)  
: 59319-0\*90 (被覆外径 $\phi$ 2.2~ $\phi$ 2.7)  
APPLICABLE TERMINAL : 50637-0\*49 (INSULATION DIAMETER  $\phi$ 2.8~ $\phi$ 3.8)  
: 59319-0\*90 (INSULATION DIAMETER  $\phi$ 2.2~ $\phi$ 2.7)
- 材質  
MATERIAL  
ハウジング : ガラス入りナイロン66 UL94V-0 色 : 自然色  
: G.F. NYLON UL94V-0 COLOR : NATURAL



DO NOT SCALE DRAWING

EC NO. DRWN: CHK: APPR:	EC NO. DRWN: CHK: APPR:	REVISED '99/03/25 EC NO. JD91284 DRWN: S.SAKIYAMA CHK: YO.ITO APPR: H.IKESUGI	REVISED '98/12/23 EC NO. JD90894 DRWN: Y.TETSUKA CHK: SAKIYAMA/YO.ITO APPR: H.IKESUGI	RELEASED '98/9/9 EC NO. JD90376 DRWN: J.MIYAZAWA CHK: YO.ITO APPR: H.IKESUGI	MATERIAL 材料 # 注記参照 SEE NOTES.	GENERAL TOLERANCES: (UNLESS SPECIFIED) 一般公差	SCALE 2-1	DESIGN UNITS <input checked="" type="checkbox"/> mm <input type="checkbox"/> INCH	THIRD ANGLE PROJECTION	DIMENSIONS: <input type="checkbox"/> mm <input type="checkbox"/> INCH <input checked="" type="checkbox"/> mm ONLY	SHT REV	REVISE ON CAD ONLY
		B	A	0	FINISH 仕上げ #	10 UNDER 未満 +0.2	DRAWN BY & DATE Y. Ito '98/9/9	TITLE: POWER CONN. 8P SOCKET HOUSING				
					WIRE RANGE 適用線径範囲 #	10 OVER 以上 +0.25	CHECKED BY & DATE Y. Ito	APPROVED BY & DATE H. Ito		MATERIAL NO. SEE CHART	DRAWING NO. SD-51195-002	SHEET NO. 1 OF 1
					INS. RANGE 被覆外径 #	30 OVER 以上 +0.3	CAD FILE NAME 51195002.S01	MATERIAL NO. SEE CHART				SIZE B
						ANGLE 角度 +3°	THIS DRAWING CONTAINS INFORMATION THAT IS PROPRIETARY TO MOLEX INCORPORATED AND SHOULD NOT BE USED WITHOUT WRITTEN PERMISSION.					